



# 450J

# GLYNN-JOHNSON

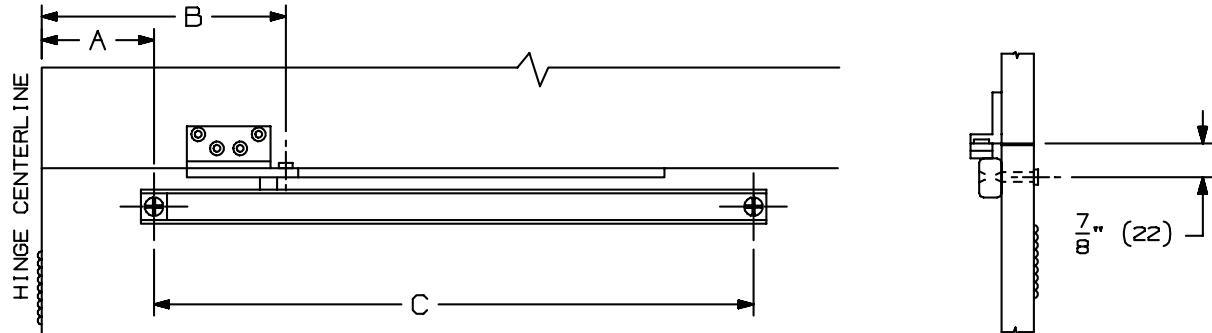
## INST.450J

Surface Overhead Holder Angle Bracket (Push Side)

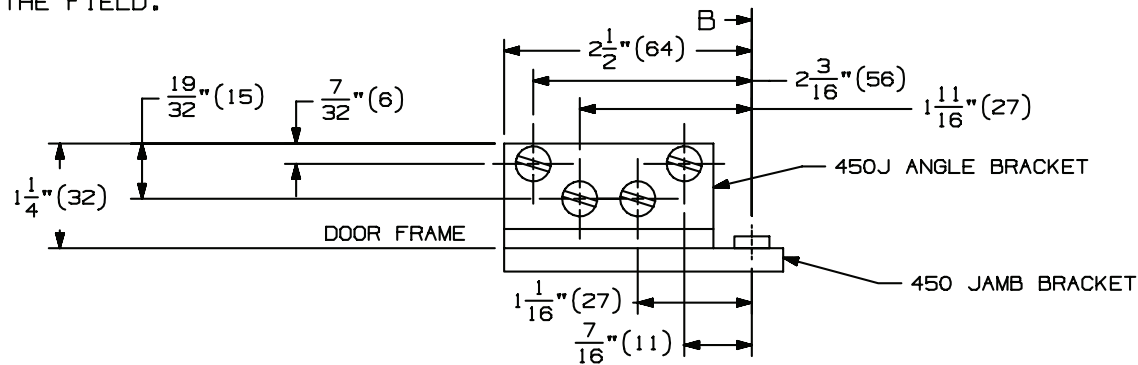
Installation Instructions

OVERHEAD HOLDERS OR STOPS MUST BE INSTALLED BEFORE CLOSERS.

1. A. FOLLOW STEP 1 FROM THE 450 SERIES SURFACE OVERHEAD HOLDER INSTALLATION TEMPLATE INST.450.



2. A. LOCATE "B" DIMENSION ON THE FACE OF THE FRAME OR ON THE FLUSH TRANSOM PANEL. NOTE THAT THE "B" DIMENSION IS MEASURED FROM THE CENTERLINE OF THE HINGE AS SHOWN.
- B. FOR METAL FRAMES, USE A #21 DRILL AND 10-32 TAP IN 4 PLACES. FOR WOOD FRAMES, DRILL 1/8" PILOT HOLES IN 4 PLACES. MOUNTING HOLES SHOULD BE PREPARED IN THE FIELD.



3. A. LOCATE "A" & "C" DIMENSIONS ON THE DOOR. NOTE THAT THE "A" DIMENSION IS MEASURED FROM THE CENTERLINE OF HINGE AS SHOWN.
- B. DRILL THE 1/4" (6) DIAMETER THROUGH HOLES DOWN 7/8" (33) FROM THE FRAME OR FLUSH TRANSOM PANEL IN TWO PLACES. ON THE PULL SIDE OF DOOR, DRILL 13/32" (10) DIAMETER HOLE, 1 5/8" (41) DEEP FOR SEX BOLT. MOUNTING HOLES SHOULD BE PREPARED IN THE FIELD.
4. A. INSTALL ANGLE BRACKET ONTO STANDARD JAMB BRACKET WITH 10-32 X 1/2" FPHMS PROVIDED WITH THE ANGLE BRACKET.
- B. INSTALL THE CHANNEL ON THE DOOR WITH THE SHOCK SPRING TOWARDS THE HINGE EDGE OF DOOR.
- C. INSTALL THE ANGLE BRACKET TO THE FACE OF THE FRAME OR THE FLUSH TRANSOM PANEL.

### SCREW DETAILS

	QTY	WOOD	METAL
ANGLE	4	10-32 X 1/2" FPHMS	10-32 X 1/2" FPHMS
JAMB	4	#10 X 1 1/2" FPHSMS	10-32 X 1/2" FPHMS
DOOR	2	10-24 X 1 1/2" PPHMS	10-24 X 1 1/2" PPHMS
DOOR	2	10-24 X 1 9/16" SEX BOLT	10-24 X 1 9/16" SEX BOLT

NOTE: DIMENSIONS IN ( ) ARE IN MILLIMETERS

INST.450J



Customer Service

1-877-671-7011 www.allegion.com/us



© Allegion 2014  
Printed in U.S.A.  
INST.450J Rev. 01/14-b