



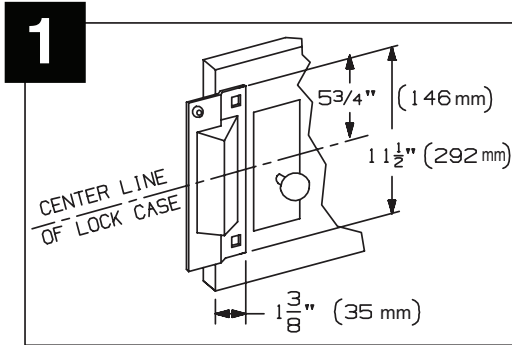
829678-00

LG1 & LG7

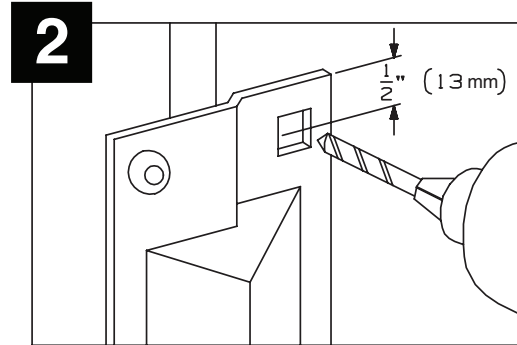
IVES

Lock Guard

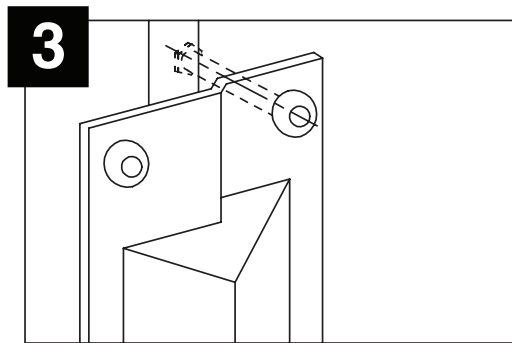
Installation Instructions



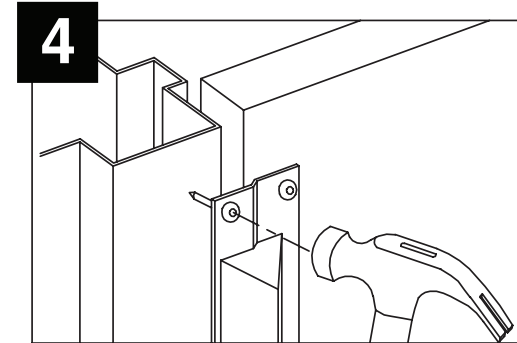
1 Locate lock guard as shown, making sure to center with the lock case.



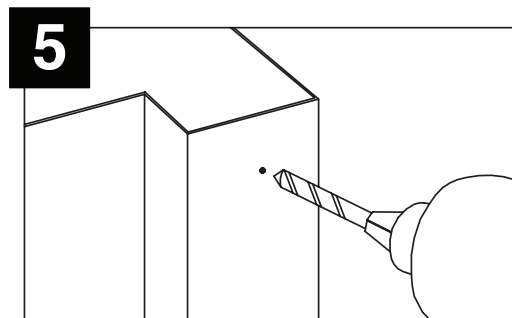
2 While holding lock guard firmly against door, drill two 5/16" (8mm) diameter mounting holes.



3 Fasten to door using two supplied carriage bolts and hex nuts.



4 Swing door closed until security pin touches the frame. Mark hole location by hitting head of security pin with hammer.



5 Drill 5/16" (8mm) hole in the frame to accept security pin.

Notes:

- 1. The dimple depth is 1/2" (13mm).
- 2. The dimple length is 6-3/4" (171mm).

Qty	Machine Screws
2	5/16" - 18 x 2-1/4" stove bolts
2	5/16" nuts

Customer Service

1-877-671-7011 www.allegion.com/us



© Allegion 2014
Printed in U.S.A.
829678-00 Rev. 01/14-b