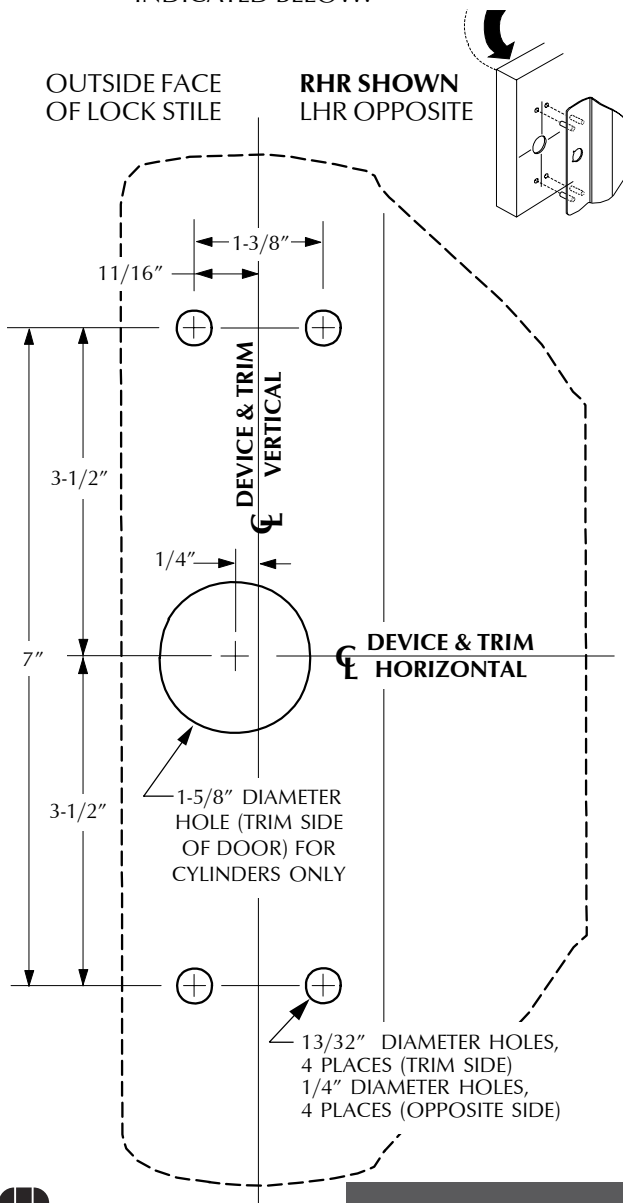


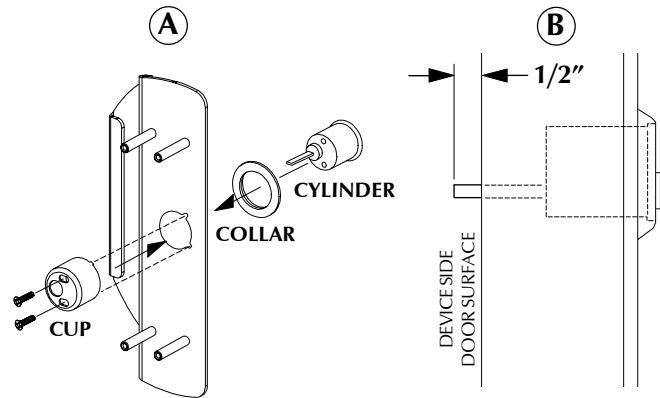
## VR910/VR914 VANDAL RESISTANT TRIM

FOR USE WITH RIM AND VERTICAL DEVICES

- 1** PREPARE PUSH SIDE OF DOOR FOR EXIT DEVICE. SEE EXIT DEVICE INSTRUCTIONS FOR PREPARATION.
- 2** PREPARE PULL SIDE OF DOOR FOR TRIM.
  - A** TRANSFER VERTICAL AND HORIZONTAL DEVICE CENTER LINES FROM PUSH SIDE OF DOOR TO PULL SIDE.
  - B** LOCATE AND PREPARE ALL HOLES AS INDICATED BELOW.



- 3** IF USING A CYLINDER:
  - A** SECURE CYLINDER TO TRIM.
  - B** PLACE TRIM ON DOOR AND CUT CYLINDER TAILPIECE SO IT PROJECTS 1/2" OUT OF DOOR.



- 4** INSTALL EXIT DEVICE AND TRIM (INSTALL TAILPIECE GUIDE IF USING A CYLINDER).

