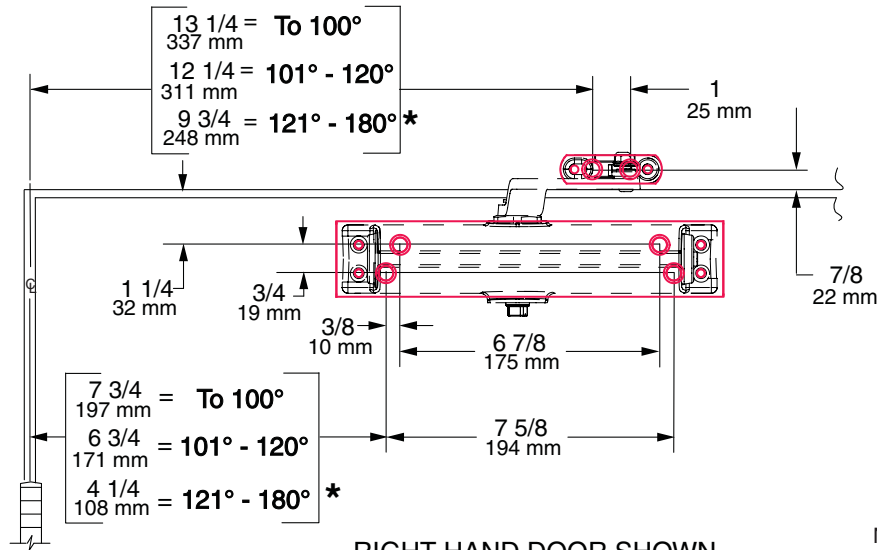


1260 PULL SIDE (DOOR MOUNT) QUICK FIX BRACKETS

PULL SIDE ARM MOUNTED ON:
1260-QF PLATES



RIGHT HAND DOOR SHOWN
LEFT HAND DOOR OPPOSITE

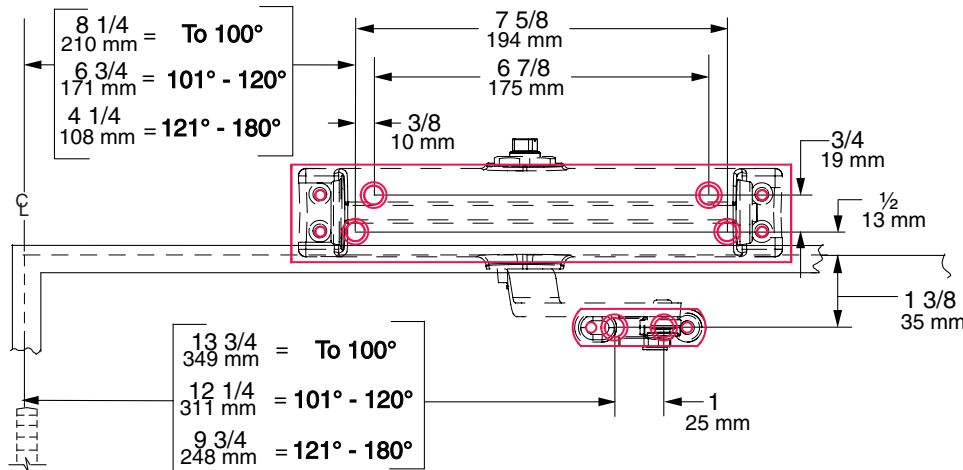
NOTES -

1. MINIMUM TOP RAIL HEIGHT 2 1/4.

* 2. TRIM PERMITTING.

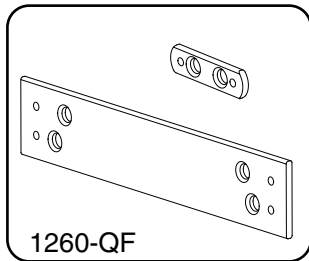
1260 PUSH SIDE (TOP JAMB) QUICK FIX BRACKETS

PUSH SIDE ARM MOUNTED ON:
1260-QF PLATES



LEFT HAND DOOR SHOWN
RIGHT HAND DOOR OPPOSITE

The Quick Fix bracket is to be used when preexisting holes are stripped out.



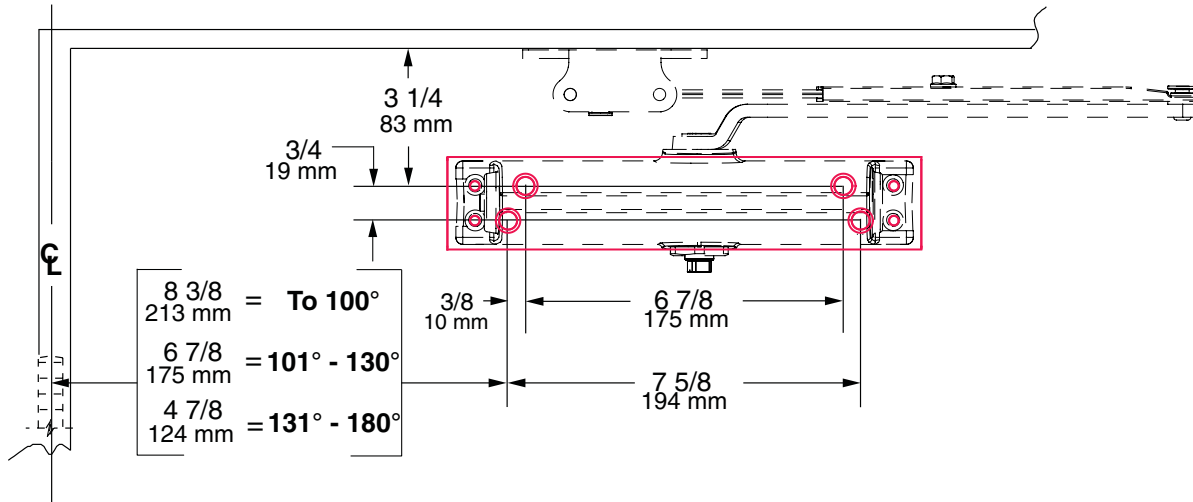
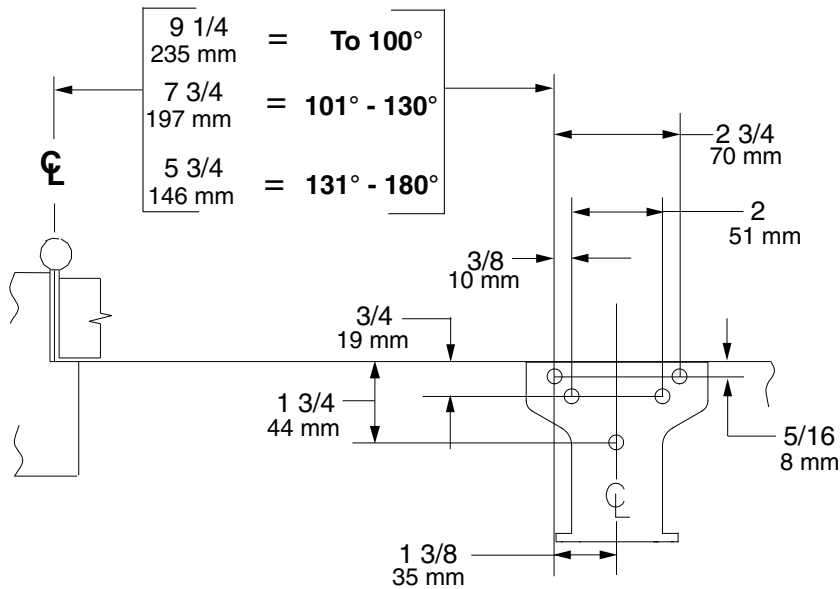
GENERAL NOTES:

1. LOCATE CLOSER & SHOE FROM CENTERLINE OF PIVOT OR SWING CLEAR HINGE PIN WHEN USED.
2. ON TOP JAMB MOUNTING WHEN OVERHEAD STOP IS USED, SHOE MUST BE LOWERED TO CLEAR HOLDER.
3. FOR 180° OPENING, MAX BUTT SIZE IS 5" X 5"
4. REINFORCING PER ANSI/SDI-100 RECOMMENDED FOR HOLLOW METAL DOORS AND FRAMES.
5. CLOSER SIZE IS 10" x 2 1/4" x 2 7/8".

LCN[®]
1-800-526-2400

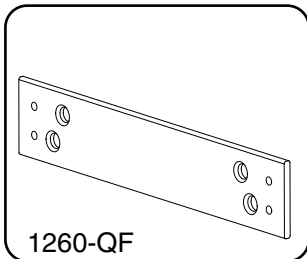
P1260 PUSH SIDE (DOOR MOUNT) QUICK FIX BRACKET

PUSH SIDE PARALLEL ARM MOUNTED ON:
1260-QF PLATE



LEFT HAND DOOR SHOWN
RIGHT HAND DOOR OPPOSITE

The Quick Fix bracket is to be used when preexisting holes are stripped out.



1260-QF

GENERAL NOTES:

1. LOCATE CLOSER & SHOE FROM CENTERLINE OF PIVOT OR SWING CLEAR HINGE PIN WHEN USED.
2. FOR 180° OPENING ON HINGE FACE MOUNTS, MAX BUTT SIZE IS 5" X 5"
3. REINFORCING PER ANSI/SDI-100 RECOMMENDED FOR HOLLOW METAL DOORS AND FRAMES.
4. CLOSER SIZE IS 10" x 2 1/4" x 2 7/8".