



14126

5030 Series

LCN®

Installation Instructions



Improper installation or regulation may result in personal injury or property damage. Follow all instructions carefully. For questions contact LCN Closers: 1-877-671-7011

1 Installation

1a Closer Handing

Make sure hand of closer and door correspond. Hand of closer is stamped on mounting plate. Hand of closer can not be changed.

1b Door and Frame Preparation

Determine if door is to be hung on hinges, offset pivots to center pivots. If frame is not prepared for closer, prepare to dimensions shown on proper template. Note: On butt hinge applications, closer can be templated for 100° or 180° of opening.

1c Install Closer onto Door

Install closer in prepared frame with fasteners provided. Be sure mounting plate is flush with soffit. Install head stop.

1d Install Door and Closer onto Frame

Hang door. Be sure there is no bind or friction. Place main arm on shaft and push up into position. Insert arm screw and tighten securely. Close door and install shoe. Open door slightly and insert rod in forearm. Close door. Starting with main arm at right angle to door, move arm toward latch until holes in rod and tube line up. Insert and tighten screw.

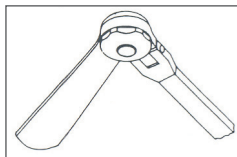
2 Regulation and Backcheck

Door closer regulation is preset at the factory. Adjust as follows only if necessary: A "normal" closing time from a 90° open position is 5 to 7 seconds, evenly divided between main speed and latch speed (see figure below). Use a 3/32" hex wrench to adjust regulating screws. To slow main speed of door, turn middle regulating screw clockwise. To slow latch speed, turn regulating screw closest to hinge clockwise.

BACKCHECK: To increase backcheck intensity, turn regulating screw closest to the latch clockwise. **DO NOT USE ABRUPT BACKCHECK. DO NOT USE DOOR CLOSER AS A DOOR STOP.**

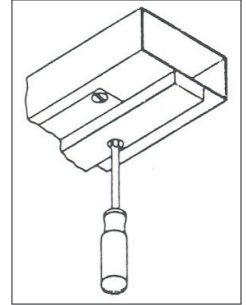
3 Adjusting the Arm

To adjust 90° hold-open arm (up to 100° opening). The hold open features is at the elbow. Arm is preset to hold door open at approximately 90°. To change setting, loosen adjusting nut, open door to desired hold open position, tighten adjusting nut.



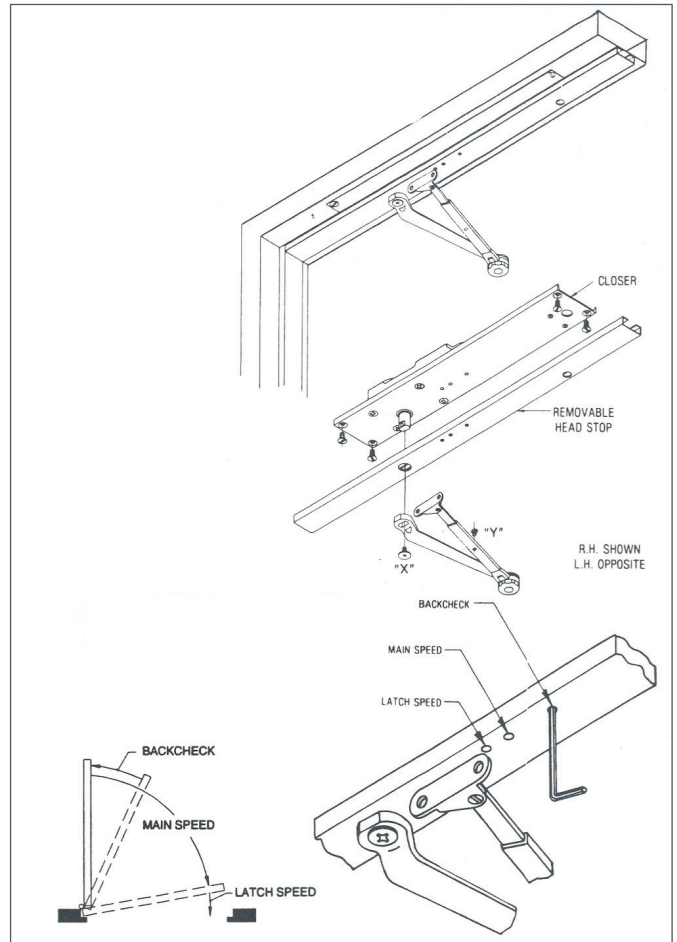
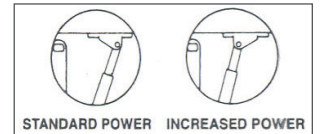
4 Closing Power

Adjust CLOSING POWER only if more power is needed. Closer is shipped with minimum closing power pre-set. To increase CLOSING POWER turn spring adjusting screw clockwise. Maximum adjustment 36 turns.



To adjust for additional closing power at latch. (Regular & 90° H.O. only)

1. Remove screw "Y" (step 1d) and separate rod from tube.
2. Remove shoe screws and turn shoe over.
3. Reassemble arm.



Customer Service

1-877-671-7011 www.allegion.com/us



© Allegion 2015
Printed in U.S.A.
14126 Rev. 06/15-g

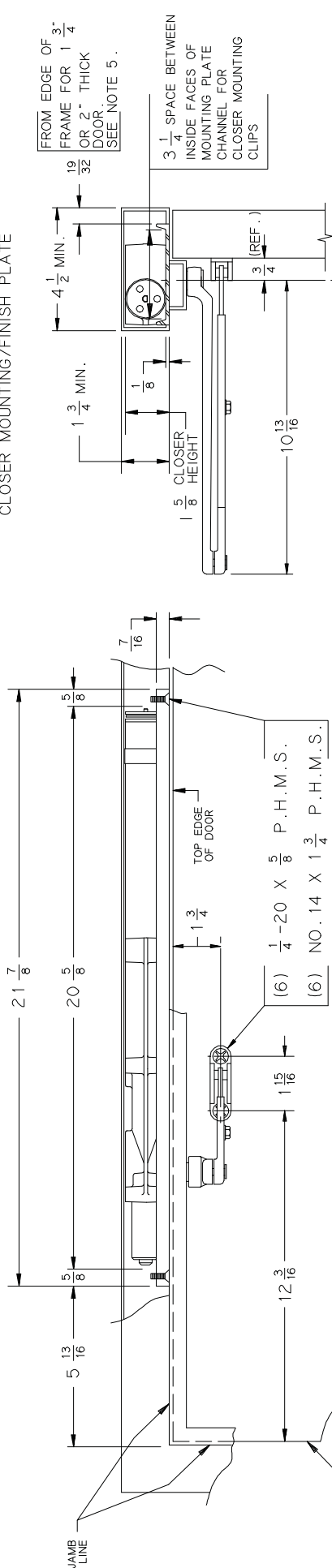
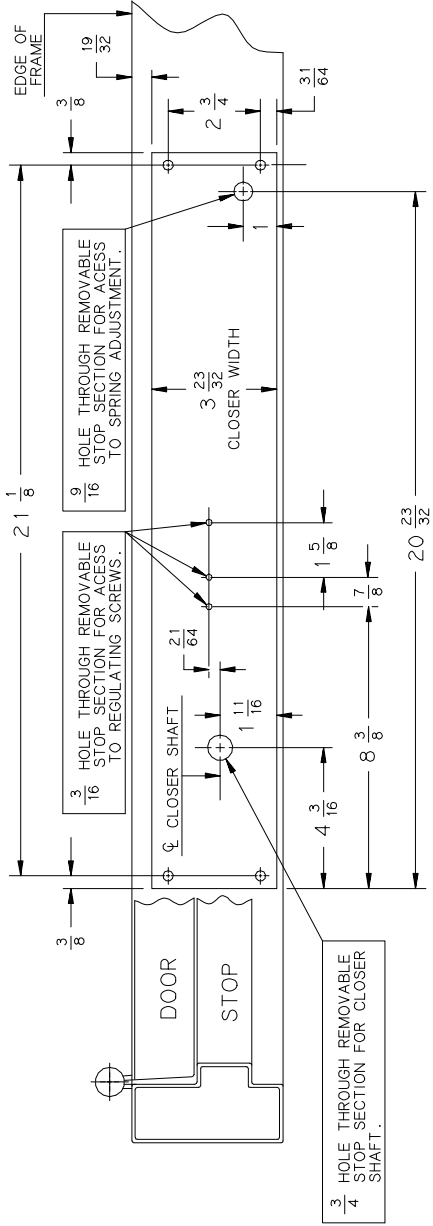
5031 } NON HOLD OPEN (UP TO 100°)
 5032 } H-90° (UP TO 100°)
 5033 }
 5034 }
 5035 }
 5036 }

AUXILIARY STOP RECOMMENDED
 LEFT HAND DOOR AND CLOSER
 SHOWN, RIGHT HAND OPPOSITE **6/96**

NOTES :

- FOR DOOR OPENINGS GREATER THAN 100° SEE 5030 (101° TO 180°) TEMPLATE.
- MAXIMUM STOP THICKNESS $\frac{5}{8}$ "
- $\frac{1}{8}$ " DOOR TO SOFFIT CLEARANCE REQUIRED.
- REINFORCING PER ANSI/SDI-100 RECOMMENDED FOR HOLLOW METAL DOORS & FRAMES.
- FOR DOORS THICKER THAN $1\frac{3}{4}$ " CONSULT LCN.

AN ALUMINUM COMBINATION MOUNTING AND FINISH PLATE IS INCLUDED AS PART OF THE CLOSER. AN APPLIED REMOVABLE HEADSTOP MUST BE USED AND MOUNTED BETWEEN SIDE STOPS FOR REMOVABILITY. MOUNTING SCREW HOLES FOR REMOVABLE HEADSTOP MUST SPAN CLOSER MOUNTING/FINISH PLATE



FRAME PREPARATION MAY BE IN WOOD, HOLLOW METAL OR ALUMINUM TUBE. CONSULT FACTORY IF FRAME DETAIL IS DIFFERENT.

THIS TEMPLATE FOR OPENINGS UP TO 100° ONLY.

No.	REVISION	BY	DATE
1	CAD CONVERSION	CTB	6/93
2	TEMPLATE UPDATE	JEJ	6/96
3	TEMPLATE UPDATE	AWM	2/98

APP BY JEJ 6/96
DO NOT SCALE

OVERHEAD CONCEALED CLOSER WITH STANDARD ARM

5030 (UP TO 100°)

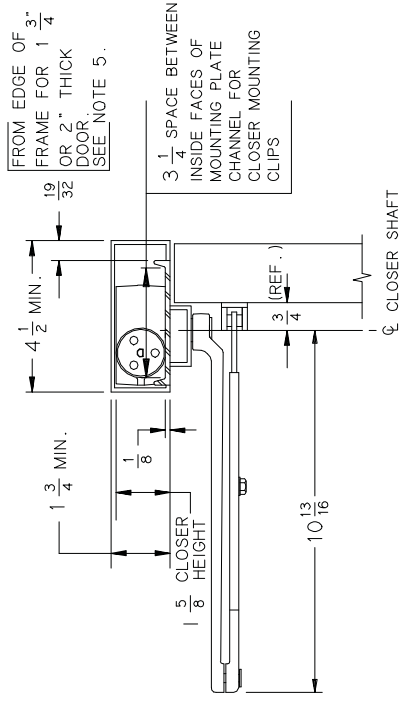
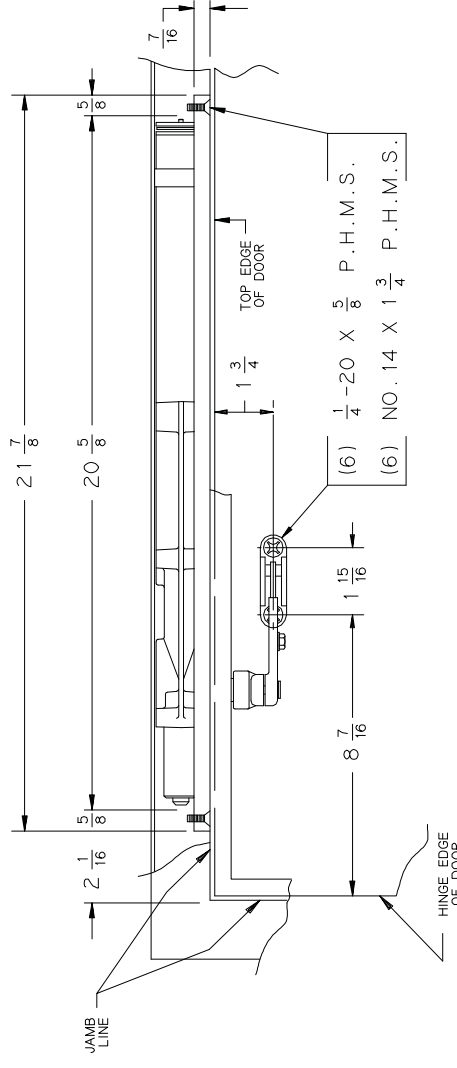
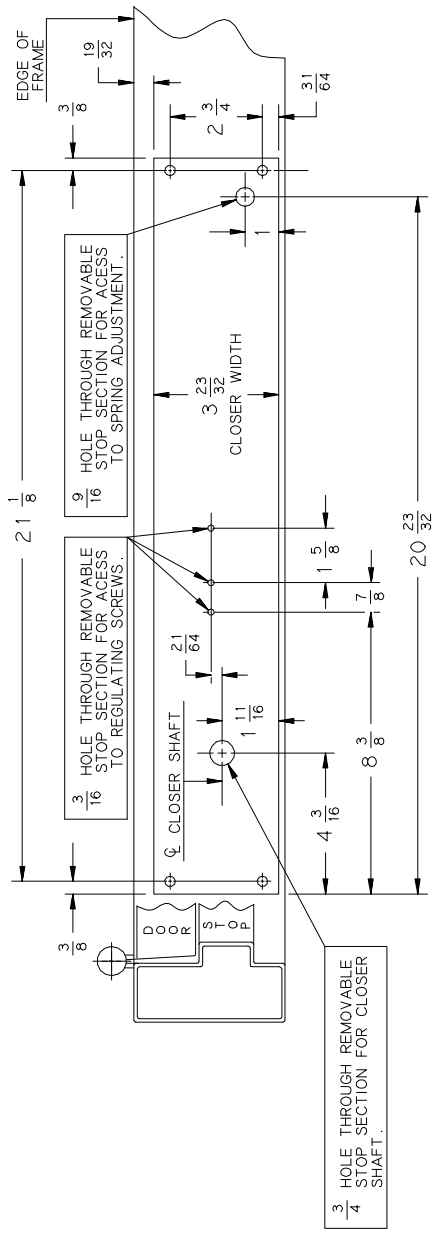
inch	1/8	3/16	1/4	5/16	3/8	7/16	1/2	5/8	3/4	7/8	1	1 1/8	1 1/4	1 3/4		
mm	3	5	6	8	10	11	12	14	15	16	19	22	25	41	43	44
inch	1 1/8	2	2 1/4	3 1/4	3 3/4	4 1/8	4 1/2	5 1/8	6 3/8	8 1/8	10 1/8	12 3/8	20 3/8	20 3/4	21 1/8	21 1/2
mm	49	51	70	83	94	106	114	148	213	275	310	524	526	537	556	556

5031 } NON HOLD OPEN (101° TO 180°)
 5032 }
 5033 }
 5034 }
 5035 }
 5036 }

AUXILIARY STOP RECOMMENDED
 LEFT HAND DOOR AND CLOSER
 SHOWN, RIGHT HAND OPPOSITE 6 / 96

NOTES :

- FOR DOOR OPENINGS LESS THAN 101° SEE 5030 (UP TO 100°) TEMPLATE
- MAXIMUM STOP THICKNESS $\frac{5}{8}$
- $\frac{1}{8}$ " DOOR TO SOFFIT CLEARANCE REQUIRED.
- FOR 180° OPENINGS, MAXIMUM ALLOWABLE BUTT HINGE SIZE IS 6" X 6"
- REINFORCING PER ANSI/SDI-100 RECOMMENDED FOR HOLLOW METAL DOORS & FRAMES.
- FOR DOORS THICKER THAN $1\frac{3}{4}$ " CONSULT LCN.



FRAME PREPARATION MAY BE IN WOOD, HOLLOW METAL OR ALUMINUM TUBE. CONSULT FACTORY IF FRAME DETAIL IS DIFFERENT.

AN ALUMINUM COMBINATION MOUNTING AND FINISH PLATE IS INCLUDED AS PART OF THE CLOSER. AN APPLIED REMOVABLE HEADSTOP MUST BE USED AND MOUNTED BETWEEN SIDE STOPS FOR REMOVABILITY. MOUNTING SCREW HOLES FOR REMOVABLE HEADSTOP MUST SPAN CLOSER MOUNTING/FINISH PLATE

THIS TEMPLATE FOR OPENINGS FROM 101° TO 180° ONLY.

No.	REVISION	BY	DATE	APP	BY	DATE
1	CAD CONVERSION	CTB	6/93		JEJ	6/96
2	TEMPLATE UPDATE	JEJ	6/96		AMM	2/98
3	TEMPLATE UPDATE	AMM	2/98		JDT	9/09
4	REMOVED HT80 ARM	JDT	9/09			

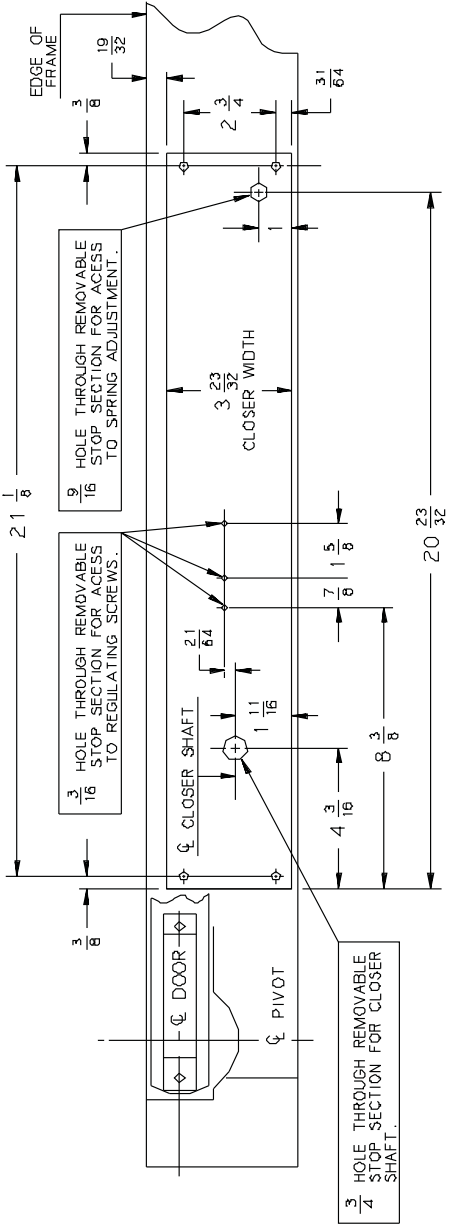
OVERHEAD CONCEALED CLOSER WITH STANDARD ARM

5030 (101° TO 180°)

inch	1/8	3/16	1/4	5/16	3/8	7/16	1/2	5/8	3/4	7/8	1 1/8	1 1/16	1 1/4	1 5/8	1 3/4	1 7/8	
mm	3	5	6	8	10	11	12	14	15	16	19	22	25	41	43	44	49
inch	2	2 1/16	2 1/4	2 3/8	2 1/2	3 1/8	3 1/4	3 3/8	4 1/8	4 1/4	4 3/8	4 7/8	5 1/4	6 1/8	6 3/4	7 1/8	7 3/4
mm	51	52	64	70	83	94	106	114	152	213	214	275	524	526	537	556	

5031 } NON HOLD OPEN (UP TO 120°)
 5032 }
 5033 } H-90° (UP TO 120°)
 5034 }
 5035 }
 5036 }

AUXILIARY STOP RECOMMENDED
 LEFT HAND DOOR AND CLOSER
 SHOWN, RIGHT HAND OPPOSITE 6/96

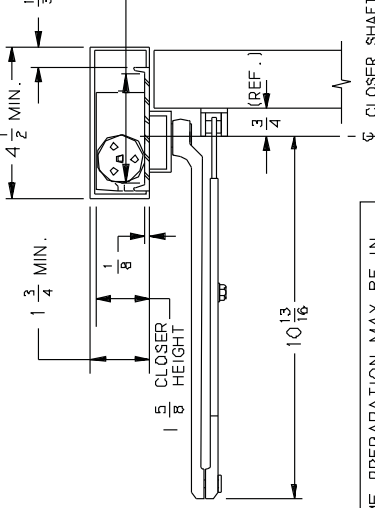


NOTES :

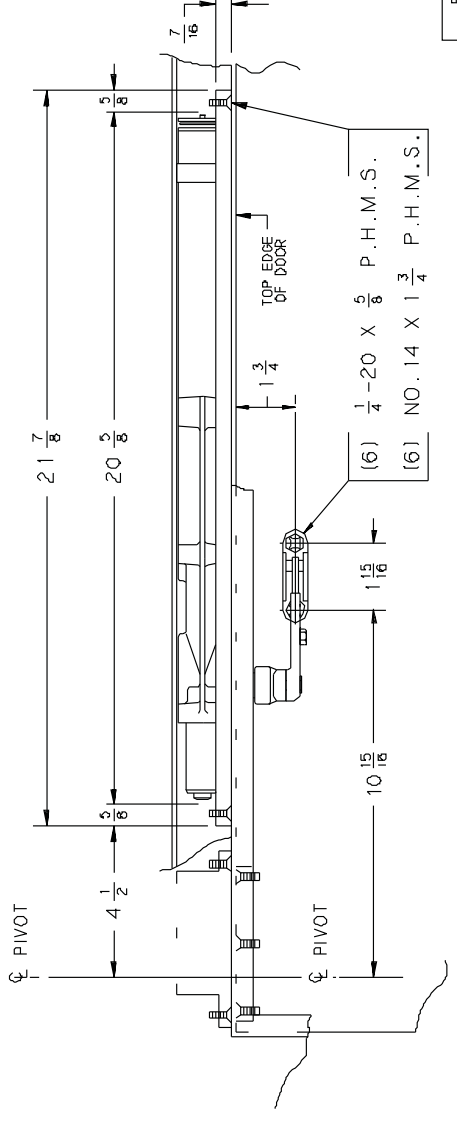
- 1 - MAXIMUM STOP THICKNESS $\frac{5}{8}$
- 2 - $\frac{1}{8}$ " DOOR TO SOFFIT CLEARANCE REQUIRED.
- 3 - REINFORCING PER ANSI/SDI-100 RECOMMENDED FOR HOLLOW METAL DOOR AND FRAMES.
- 4 - FOR DOORS THICKER THAN $1\frac{3}{4}$ " CONSULT LCN.

AN ALUMINUM COMBINATION MOUNTING AND FINISH PLATE IS INCLUDED AS PART OF THE CLOSER. AN APPLIED REMOVABLE HEADSTOP MUST BE USED AND MOUNTED BETWEEN SIDE STOPS FOR REMOVABILITY. MOUNTING SCREW HOLES FOR REMOVABLE HEADSTOP MUST SPAN CLOSER MOUNTING/FINISH PLATE.

FROM EDGE OF FRAME FOR $1\frac{3}{4}$ " OR 2" THICK DOOR SEE NOTE 6.



FRAME PREPARATION MAY BE IN WOOD, HOLLOW METAL OR ALUMINUM TUBE. CONSULT FACTORY IF FRAME DETAIL IS DIFFERENT



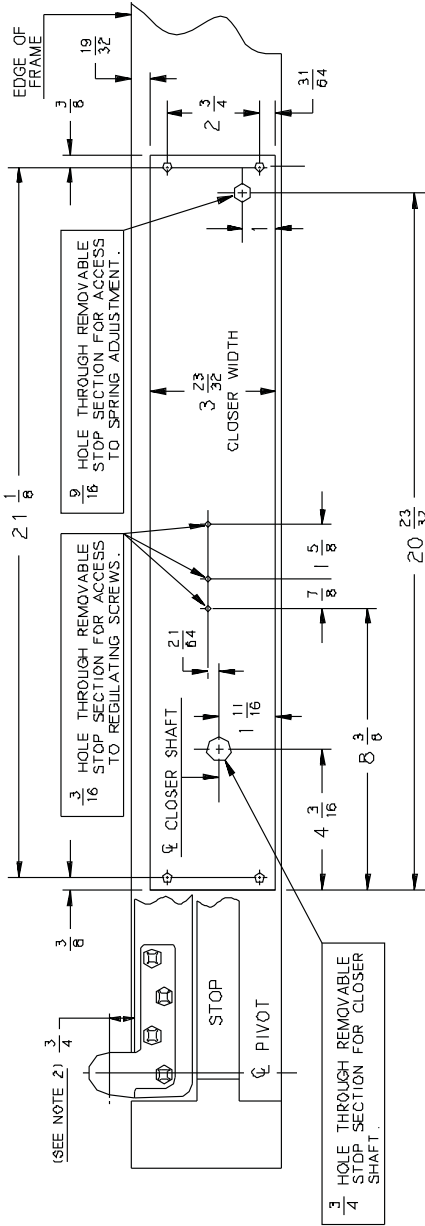
inch	1/8	1/4	3/8	1/2	5/8	3/4	7/8	1	1 1/8	1 1/4	1 5/8	2	2 1/4	3 1/4
mm	3	5	6	8	10	11	12	13	14	15	16	17	18	20
inch	1/8	1/4	3/8	1/2	5/8	3/4	7/8	1	1 1/8	1 1/4	1 5/8	2	2 1/4	3 1/4
mm	15	19	22	25	31	41	43	44	49	51	70	83		
inch	3 3/32	4 1/16	4 1/2	5 1/4	6 1/8	10 13/16	10 15/16	20 1/8	20 3/8	21 1/4	21 1/8	21 3/8	21 7/8	556
mm	94	106	114	133	151	275	278	524	526	537	546	556		

No	REVISION	BY	DATE	APP
1	CAD CONVERSION	CTB	6/93	JEJ 6/96
2	TEMPLATE UPDATE	JEJ	6/96	DO NOT SCALE
3	TEMPLATE UPDATE	AMM	2/98	OVERHEAD CONCEALED CLOSER WITH STANDARD ARM
4	REMOVED PIVOT INFO.	AMM	5/01	

5030-CP

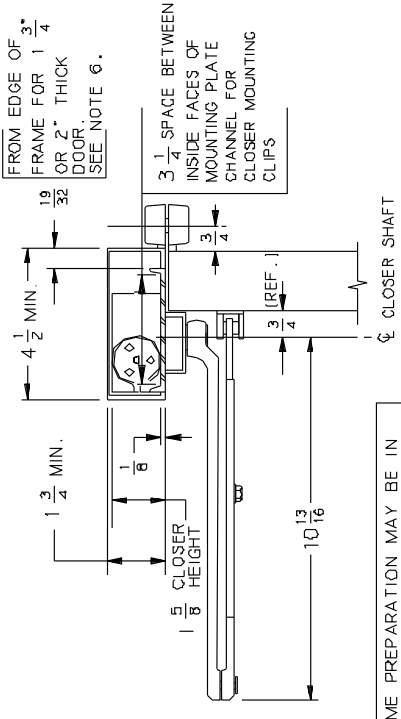
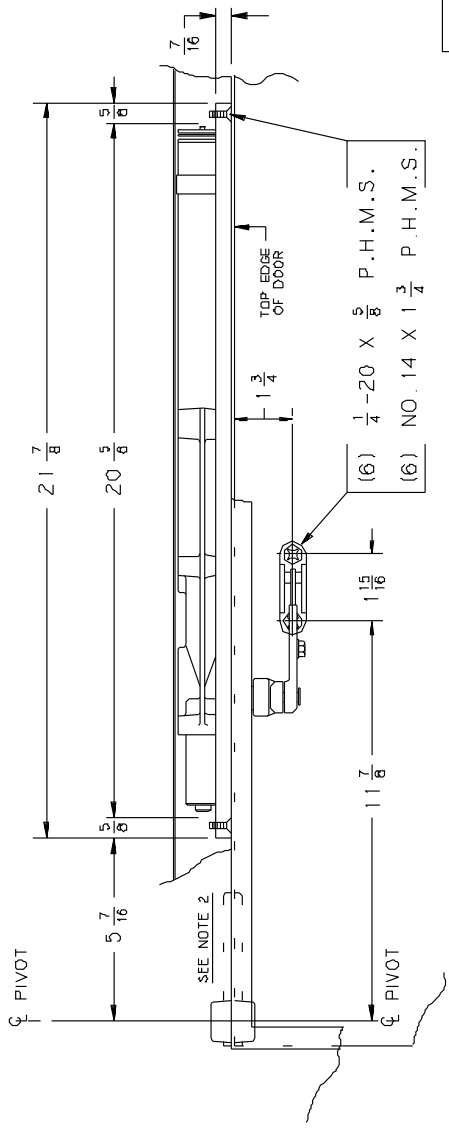
5031-OP } H-90° (UP TO 115°)
 5032-OP
 5033-OP
 5034-OP
 5035-OP
 5036-OP

AUXILIARY STOP RECOMMENDED
 LEFT HAND DOOR AND CLOSER
 SHOWN, RIGHT HAND OPPOSITE 6/96



- NOTES :
- 1 - BEVEL HEEL EDGE OF DOOR 1/8" IN 2"
 - 2 - FOR PIVOT INSTALLATION DETAILS. SEE 7220 SERIES PIVOT TEMPLATE.
 - 3 - MAXIMUM STOP THICKNESS 5/8"
 - 4 - 1/16" DOOR TO SOFFIT CLEARANCE REQUIRED.
 - 5 - REINFORCING PER ANSI/SDI-100 RECOMMENDED FOR HOLLOW METAL DOOR AND FRAMES.
 - 6 - FOR DOORS THICKER THAN 1 3/4" CONSULT LCN.

AN ALUMINUM COMBINATION MOUNTING AND FINISH PLATE IS INCLUDED AS PART OF THE CLOSER. AN APPLIED REMOVABLE HEADSTOP MUST BE USED AND MOUNTED BETWEEN SIDE STOPS FOR REMOVABILITY. MOUNTING SCREW HOLES FOR REMOVABLE HEADSTOP MUST SPAN CLOSER MOUNTING/FINISH PLATE.



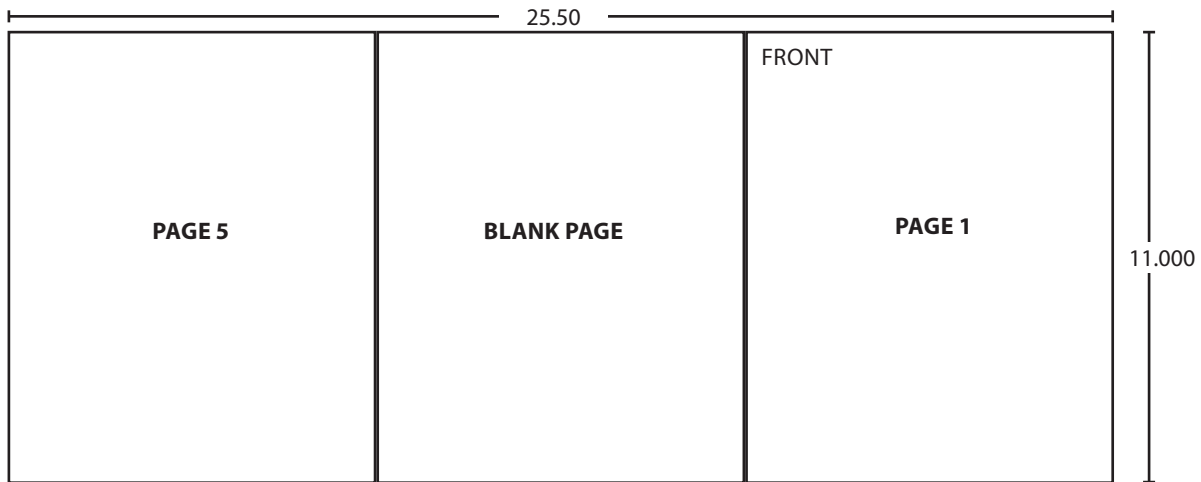
FRAME PREPARATION MAY BE IN WOOD, HOLLOW METAL OR ALUMINUM TUBE. CONSULT FACTORY IF FRAME DETAIL IS DIFFERENT.

inch	2	3	5	6	8	10	11	12	14	15
mm	50.8	76.2	127.0	152.4	203.2	254.0	279.4	304.8	355.6	381.0
inch	16	19	25	41	43	44	49	51	70	83
mm	406.4	482.6	635.0	1041.4	1091.8	1117.8	1244.6	1295.4	1778.0	2109.8
inch	9.4	10.6	11.4	13.8	2.13	2.75	3.02	5.24	5.37	5.56
mm	239.1	269.7	290.0	350.5	54.1	70.2	76.7	133.1	136.8	141.3

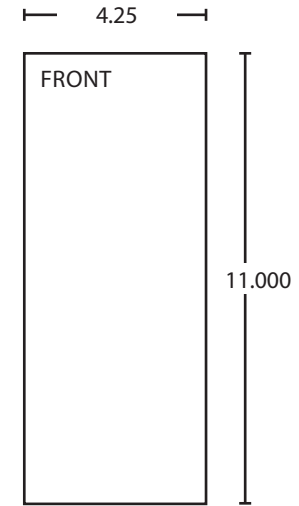
No.	REVISION	BY	DATE	APP	BY
2	TEMPLATE UPDATE	JEJ	6/96	APP	JEJ 6/96
3	TEMPLATE UPDATE	AMM	2/98	DO NOT SCALE	

OVERHEAD CONCEALED CLOSER WITH STANDARD ARM

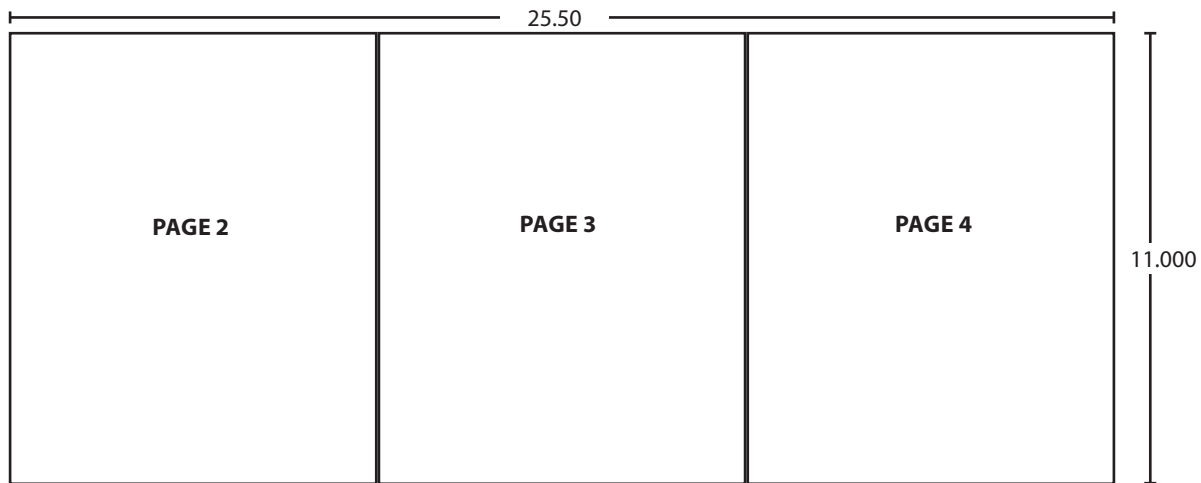
5030-OP



BEGINNING SHEET



FOLDED SHEET



BEGINNING SHEET

Additional Notes:
1. None

Revision History						Revision Description: G > Revised artwork					
F	G	H	J	K	L						
043228											
Material						Edited By		Approved By		EC Number	Release Date
White Paper						J. Ellis		M. Roberts			06-10-15
Notes						Title					
1. printed two sides						5030 Series Instruction Sheet					
2. printed black						Creation Date		Number		Revision	
3. tolerance ± .13						05-10-10		14126		G	
4. printed in country may vary						Created By		Activity			
5. drawings not to scale						N/A		3899 Hancock Expwy Security, CO 80911			
						Software: InDesign CS6				© Allegion 2015	