



70856

Label Kit 700118



For use with all low energy operators

Signage Instructions

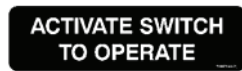
ANSI A156.19-1997 requires these Applications for all low energy doors. Failure to do so leaves the installer LIABLE for any accident that might occur. THESE SIGNS MUST BE USED!

KIT CONTENTS:

PART #	KIT QTY.	DESCRIPTION
27274	2	6 1/2" YELLOW CIRCLE "CAUTION AUTOMATIC DOOR" (2 SIDED)
740071-00	2	6 1/2" x 1 3/4" BLUE RECTANGLE "ACTIVATE SWITCH TO OPERATE" (2 SIDED)
740072-00	1	5" x 1 3/4" BLUE RECTANGLE "PUSH TO OPERATE" (1 SIDED)
740073-00	1	5" x 1 3/4" BLUE RECTANGLE "PULL TO OPERATE" (1 SIDED)
740069-00	2	HEADER JAMB DRILL TEMPLATE
740070-00	1	SURFACE APPLIED HEADER MOUNTING DRILL TEMPLATE



27274



740071-00



740072-00



740073-00

WHEN DOOR IS ACTIVATED BY SEPARATE WALL SWITCH, USE THE FOLLOWING:

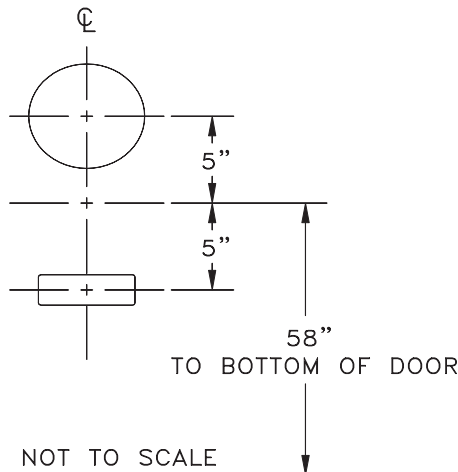
CLEAR GLASS DOOR		SOLID OPAQUE DOOR	
QTY	LABEL	QTY	LABEL
1	27274	2	27274
1	740071-00	2	740071-00

WHEN DOOR IS ACTIVATED BY DOOR MOTION, USE THE FOLLOWING:

CLEAR GLASS DOOR		SOLID OPAQUE DOOR	
QTY	LABEL	QTY	LABEL
1	27274	2	27274
1	740072-00	1	740072-00
1	740073-00	1	740073-00

LABEL LOCATION:

NOTE: Mount sign on door at a height of 58" (+/- 5") in a symmetrical pattern.



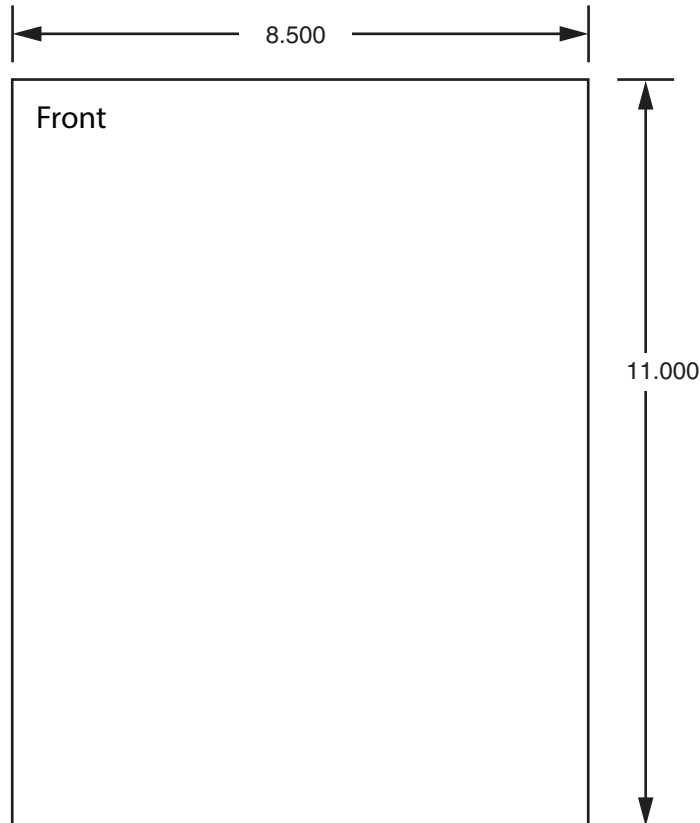
Customer Service

1-877-671-7011

www.allegion.com/us



© Allegion 2014
Printed in U.S.A.
70856 Rev. 02/14-c



Beginning and Final Sheet

Additional Notes:
None

Revision History						Revision Description:					
C	D	E	F	G	H	C > Revised Artwork					
047232	EC #	EC #	EC #	EC #	EC #	Material		Edited By	Approved By	EC Number	Release Date
Paper on Adhesive						D. Myers		M. Sasso		047232	02-27-14
Notes						Title					
1. printed one side						SIGNAGE INSTRUCTION SHEET					
2. printed black						Creation Date		Number			Revision
3. tolerance: ± .13						04-27-10		70856			C
4. printed in country may vary						Created By		Activity		© 2014 Allegion	
5. drawings to not scale						N/A		3899 Hancock Expwy		Security, CO 80911	
						Software: Illustrator CS6					