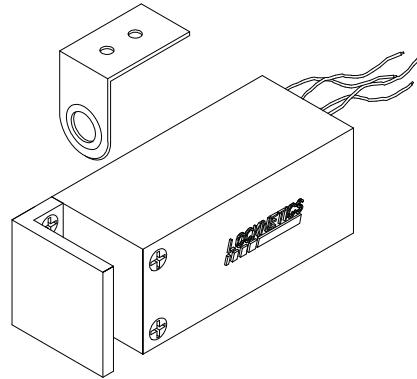




442000

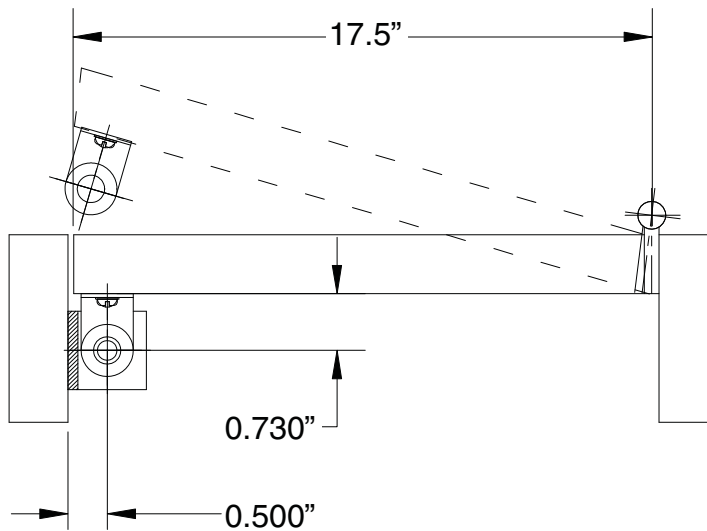
# 442S Series Cabinet Lock

Installation Instructions

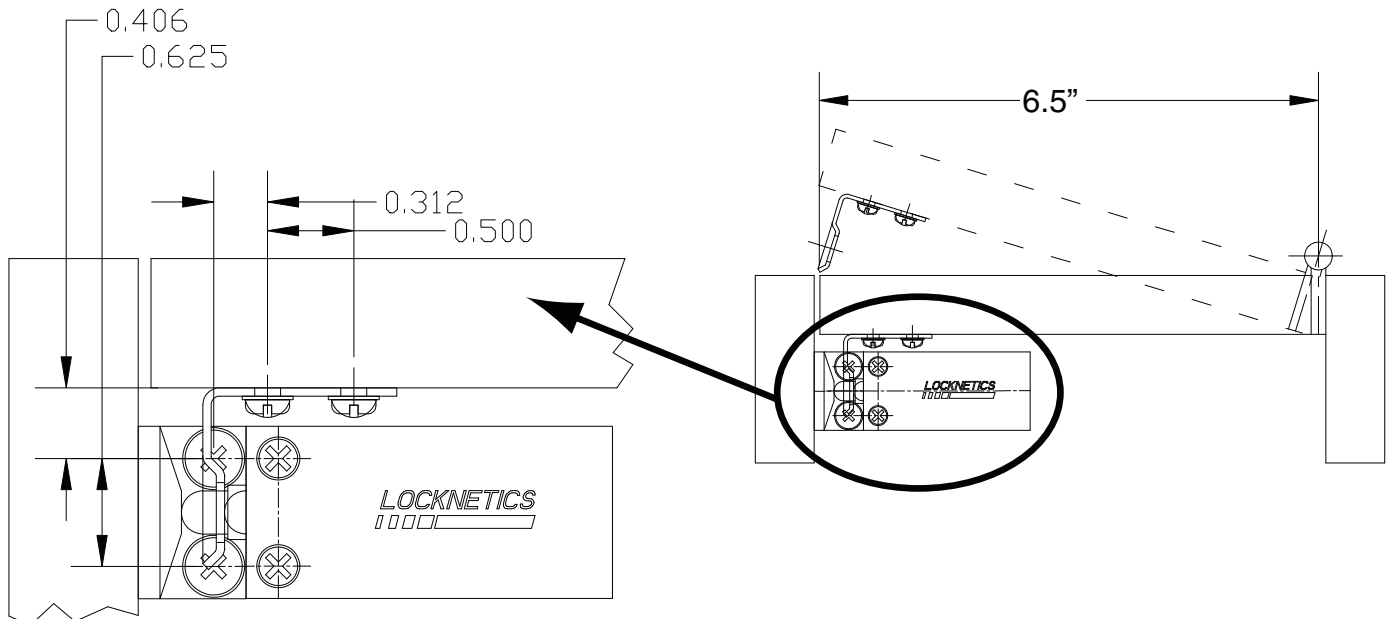


## Installation

- 1** Vertical Mounting Style may be used when the overall door width is a minimum of 17 1/2".



- 2** Horizontal Mounting Style may be used when the overall door width is a minimum of 6 1/2".



## Wiring Installation

Figure 1 - 12V Configuration

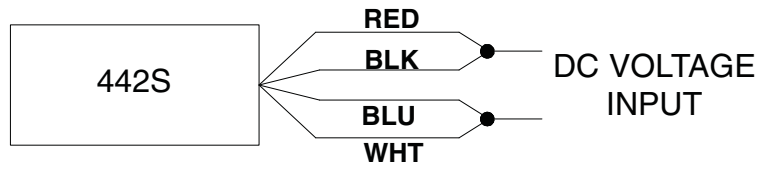
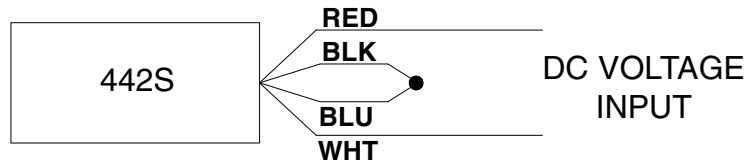
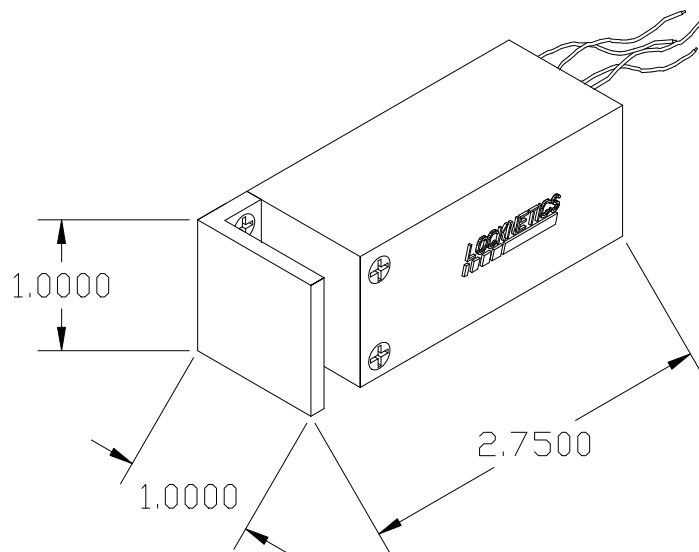
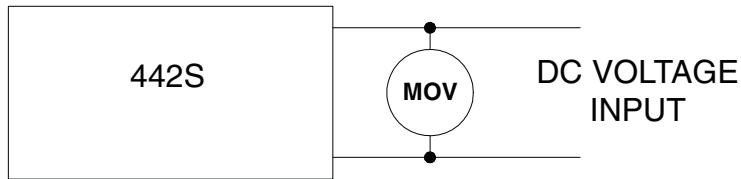


Figure 2 - 24V Configuration



## Spike Suppressor Installation

Install your suppressor across the input voltage wires as close to the solenoid as possible.



### Customer Service

1-877-671-7011

[www.allegion.com/us](http://www.allegion.com/us)



© Allegion 2014  
Printed in U.S.A.  
442000 Rev. 12/14-c