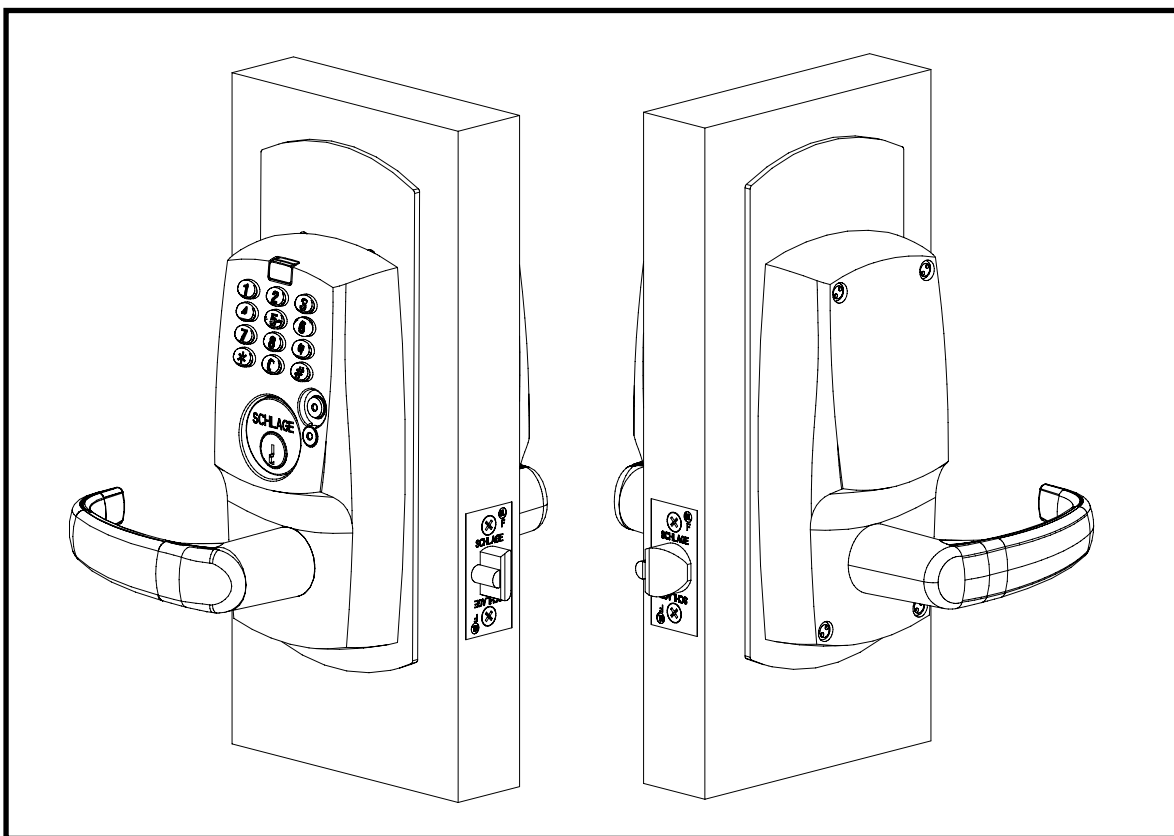




## KING COBRA/ KING COBRA-2 SERIES

### Installation Instructions and Users Manual

#### KC5196-R / KC5196-2-R Retrofit Lock for ILCO 1000 Door Preps Manually Programmable Cylindrical Lock

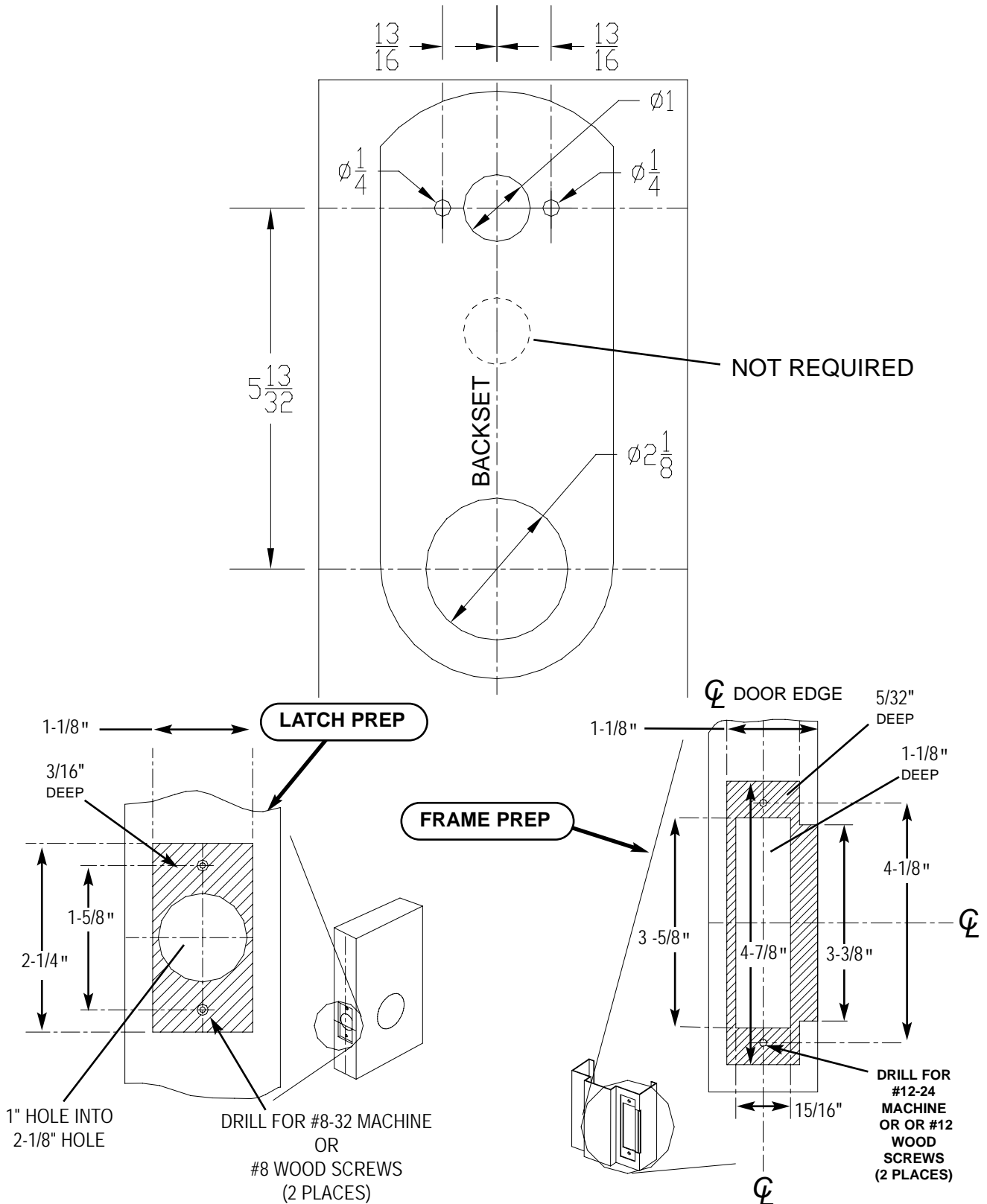


The KC5196-R/KC5196-2-R Manually Programmed Cylindrical locking system is designed to replace Ilco 1000 Series locks with no modification to the door prep. It can hold up to 120 codes and/or iButtons. The lock is powered by four, standard AA batteries. Manual emergency mechanical override uses a standard 1-1/8" (or longer) mortise cylinder.

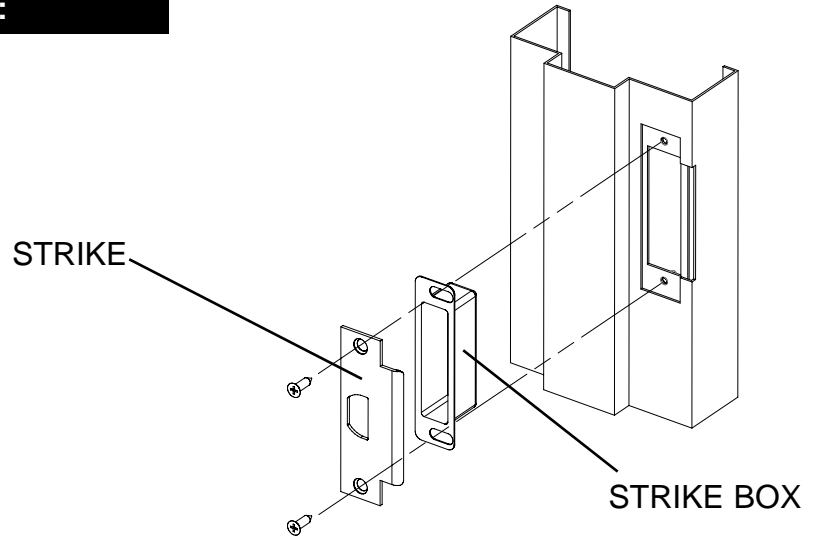
**SEE PROGRAMMING GUIDE FOR PROGRAMMING INFORMATION.**

1. VERIFY DOOR PREP:

Door prep for Ilco lock should appear as shown. If for any reason it does not, prep the door using hole sizes and dimensions shown..



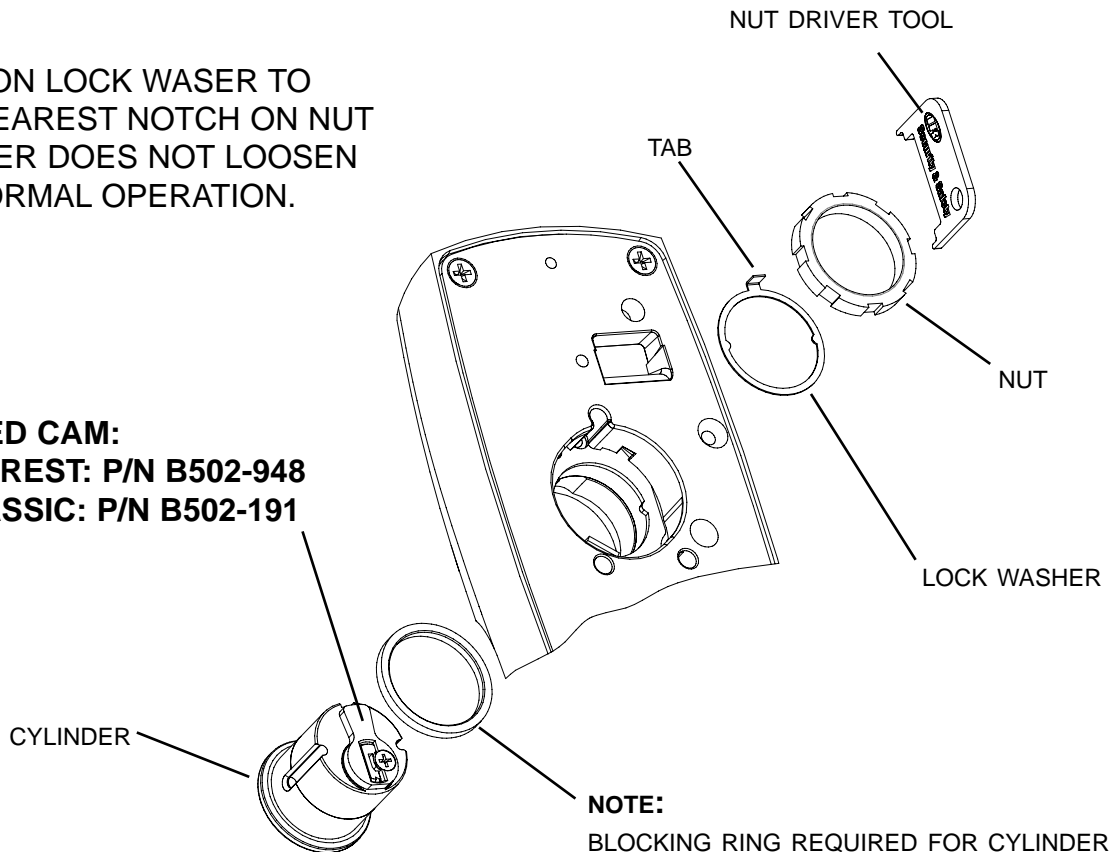
**2. INSTALL STRIKE & STRIKE BOX:**



**3. INSTALL MORTISE CYLINDER:**

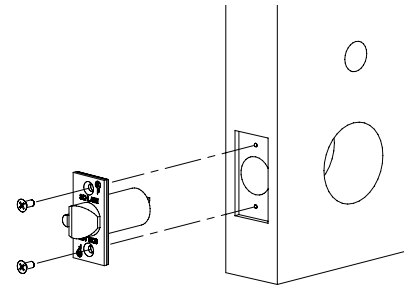
BEND TAB ON LOCK WASER TO ENGAGE NEAREST NOTCH ON NUT SO CYLINDER DOES NOT LOOSEN DURING NORMAL OPERATION.

**RECOMMENDED CAM:**  
**SCHLAGE EVEREST: P/N B502-948**  
**SCHLAGE CLASSIC: P/N B502-191**



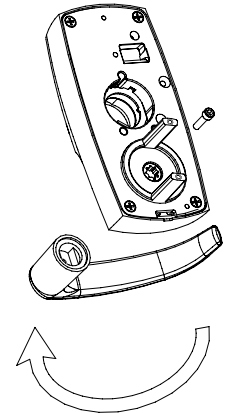
**NOTE:**  
 BLOCKING RING REQUIRED FOR CYLINDER LENGTH GREATER THAN 1-1/8".  
**THICKNESS = CYLINDER LENGTH - 1 1/8"**

**4. INSTALL LATCH:**

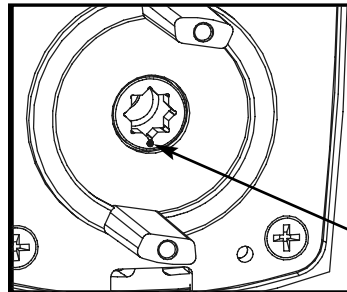
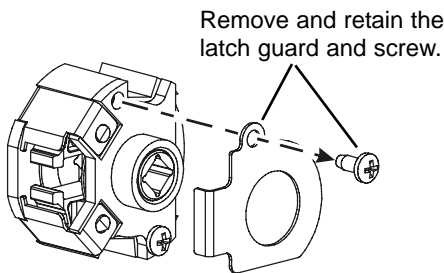


**5. SET HAND (IF REQUIRED):**

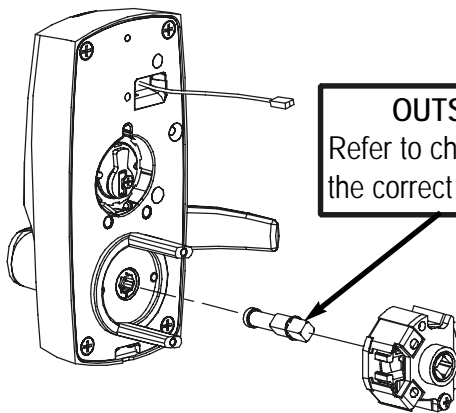
Use a 5/32" hex wrench to change the hand of the levers if necessary. Apply Loctite 242 to threads.



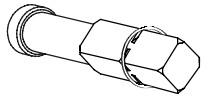
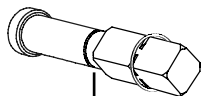
**6. INSTALL OUTSIDE SPINDLE AND RETRACTOR:**



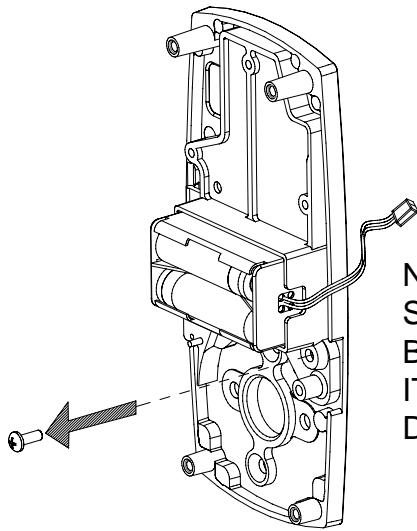
**IMPORTANT:**  
When installing spindle and retractor, make sure that the dot on the cam is facing down. Insert spindle as shown.



**OUTSIDE SPINDLE**  
Refer to chart on right to determine the correct spindle to use.

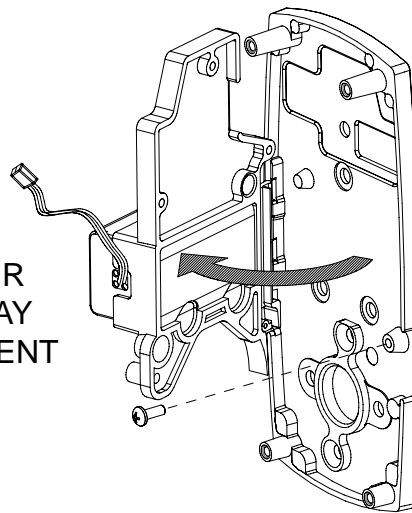
Door Thickness	Use
1.5" - 1.75" (1-1/2" - 1-3/4")	Short Spindle 
1.76" - 2.00" (1-7/8" - 2")	Long Spindle*  *Long spindle has band.

7. PREPARE INSIDE BASEPLATE FOR INSTALLATION:



A. Remove hinge screw from inside baseplate assembly.

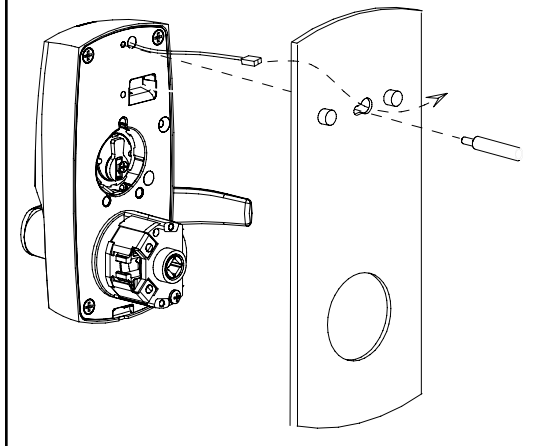
NOTE: BATTERY HOLDER SHOWN IN PLACE. IT MAY BE REMOVED TO PREVENT IT FROM FALLING OUT DURING INSTALLATION.



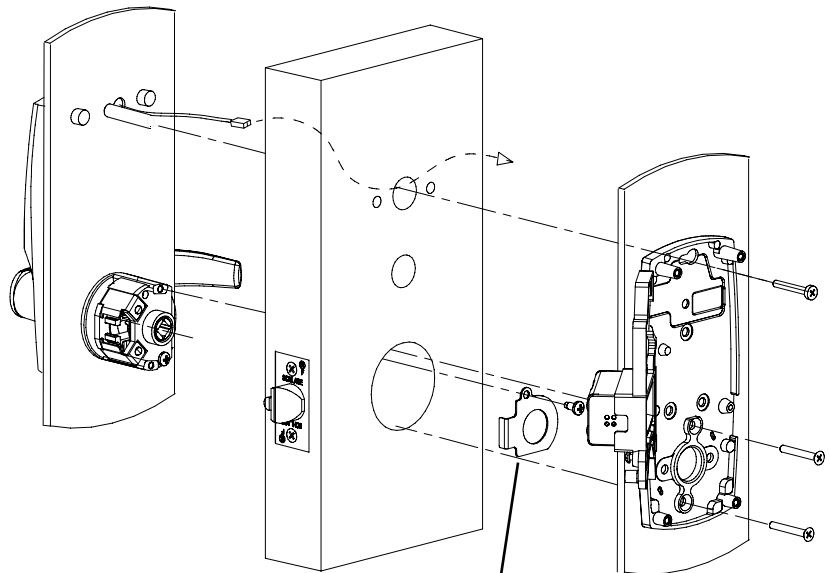
B. Swing hinge away from baseplate.

8. INSTALL OUTSIDE ESCUTCHEON AND INSIDE BASEPLATE ASSEMBLY:

Install adapter plate and standoff as shown.

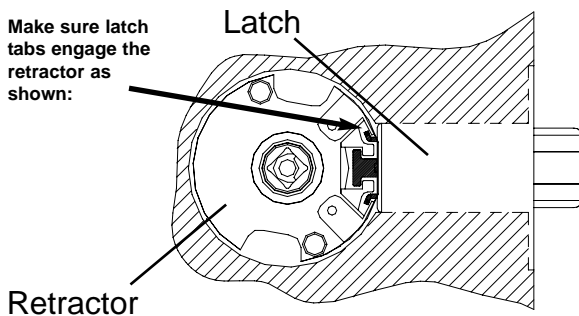


Assemble outside escutcheon, latch guard and inside escutcheon onto door. Pass wiring harness through existing hole as shown.



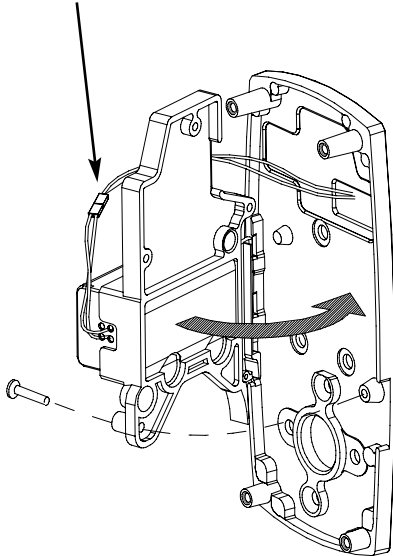
Reinstall latchguard:

Make sure latch tabs engage the retractor as shown:



**10. MAKE WIRING CONNECTIONS AND SECURE HINGE TO BASEPLATE:**

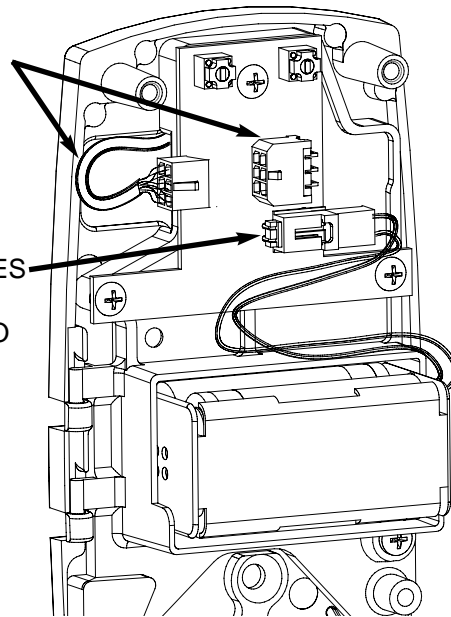
CONNECT BATTERY PACK AND  
ROUTE WIRING AS SHOWN



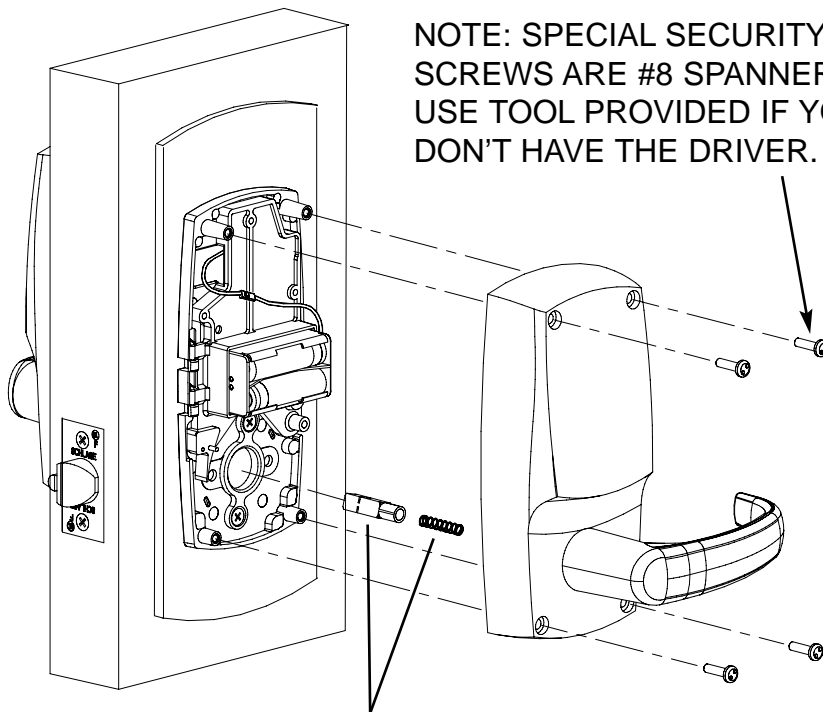
OFFICE FUNCTION ONLY:

PLUG IN OUTSIDE  
ESCUTCHEON  
HARNESS TO PC  
BOARD

INSTALL BATTERIES  
AND PLUG IN  
BATTERY PACK TO  
PC BOARD



**10. INSTALL INSIDE SPINDLE, SPRING AND ESCUTCHEON:**



NOTE: SPECIAL SECURITY  
SCREWS ARE #8 SPANNER.  
USE TOOL PROVIDED IF YOU  
DON'T HAVE THE DRIVER.

INSERT SPRING INTO SPINDLE.

IMPORTANT:

USE YELLOW SPINDLE FOR DOORS 1-3/8" TO 1-3/4" THICK

USE BLACK SPINDLE FOR DOORS OVER 1-3/4" UP TO 2" THICK