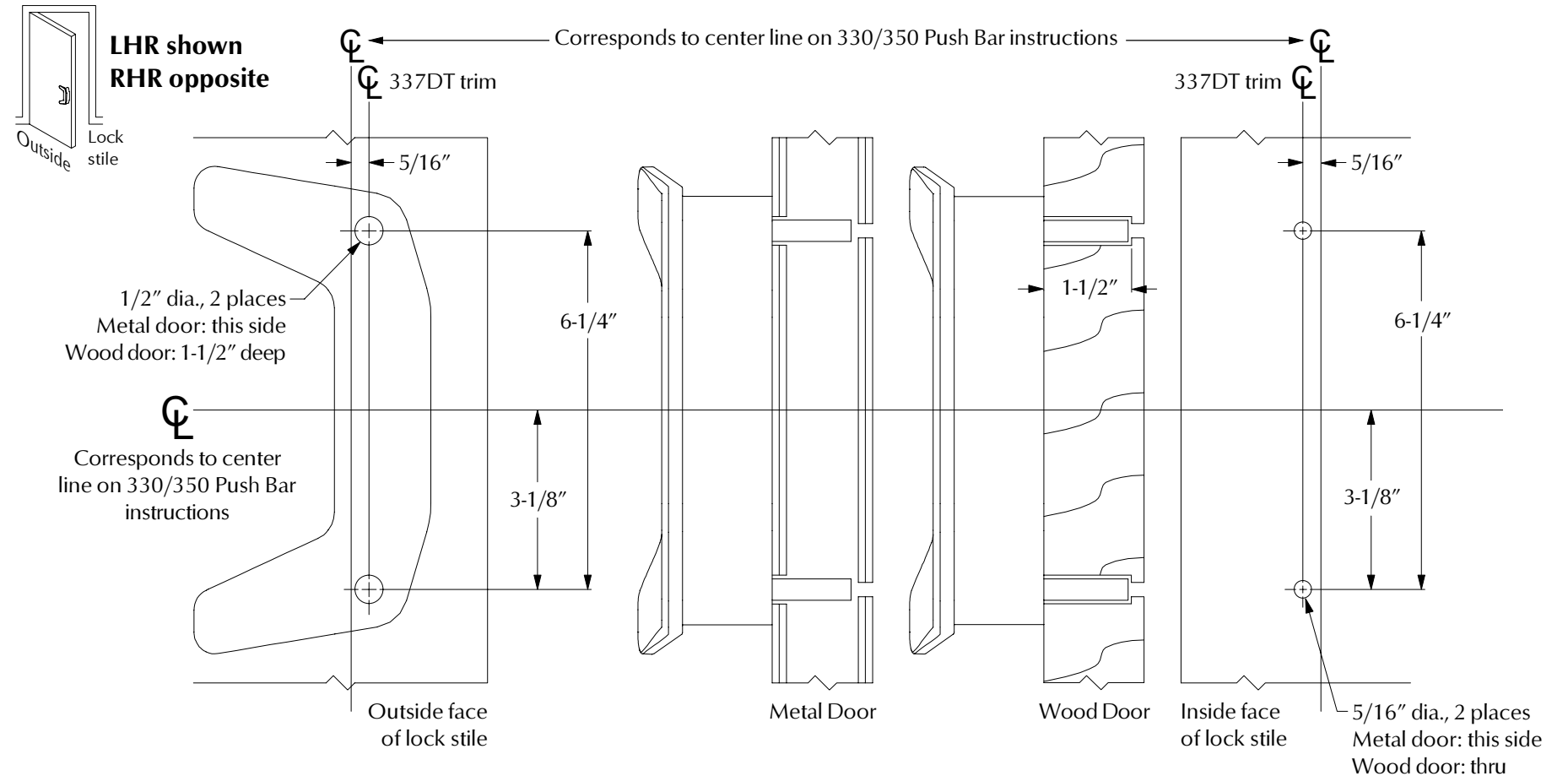


# VON DUPRIN®

## INSTALLATION INSTRUCTIONS

1. Prepare door for 330/350 Push Bar.  
See 330/350 Push Bar instructions for holes and center lines.
2. Prepare door for 337DT trim:
  - A. Transfer center line from inside (330/350 Push Bar side) of door to outside (337DT trim side) of door. Use extra care if edge of door is beveled. Be sure center line is parallel to edge of door.
  - B. Locate and prepare holes as shown.
3. Apply 330/350 Push Bar and 337DT trim.



For cutouts on inside face of door, see 330/350 Push Bar instructions



### 337DT TRIM FOR 330/350 PUSH BAR

Copyright © 2004 Ingersoll-Rand.  
All rights reserved.

PAGE NO.  
**1 of 1**

REVISION  
**7**



921032-00