



941094-00

Controls for 33/35 Rim & 33/3527 Metal or Wood Doors

# 370T, 370L, 370T-BE, 370L-BE

# VON DUPRIN®

Installation Instructions

1. Prepare door for exit device. See exit device instructions for locations of holes, backset (line X-X), and center lines.

2. Prepare door for control:

**A.** Transfer line X-X from inside (exit device side) of door to outside (control side) of door. Use extra care if edge of door is beveled. Be sure line X-X is parallel to edge of door.

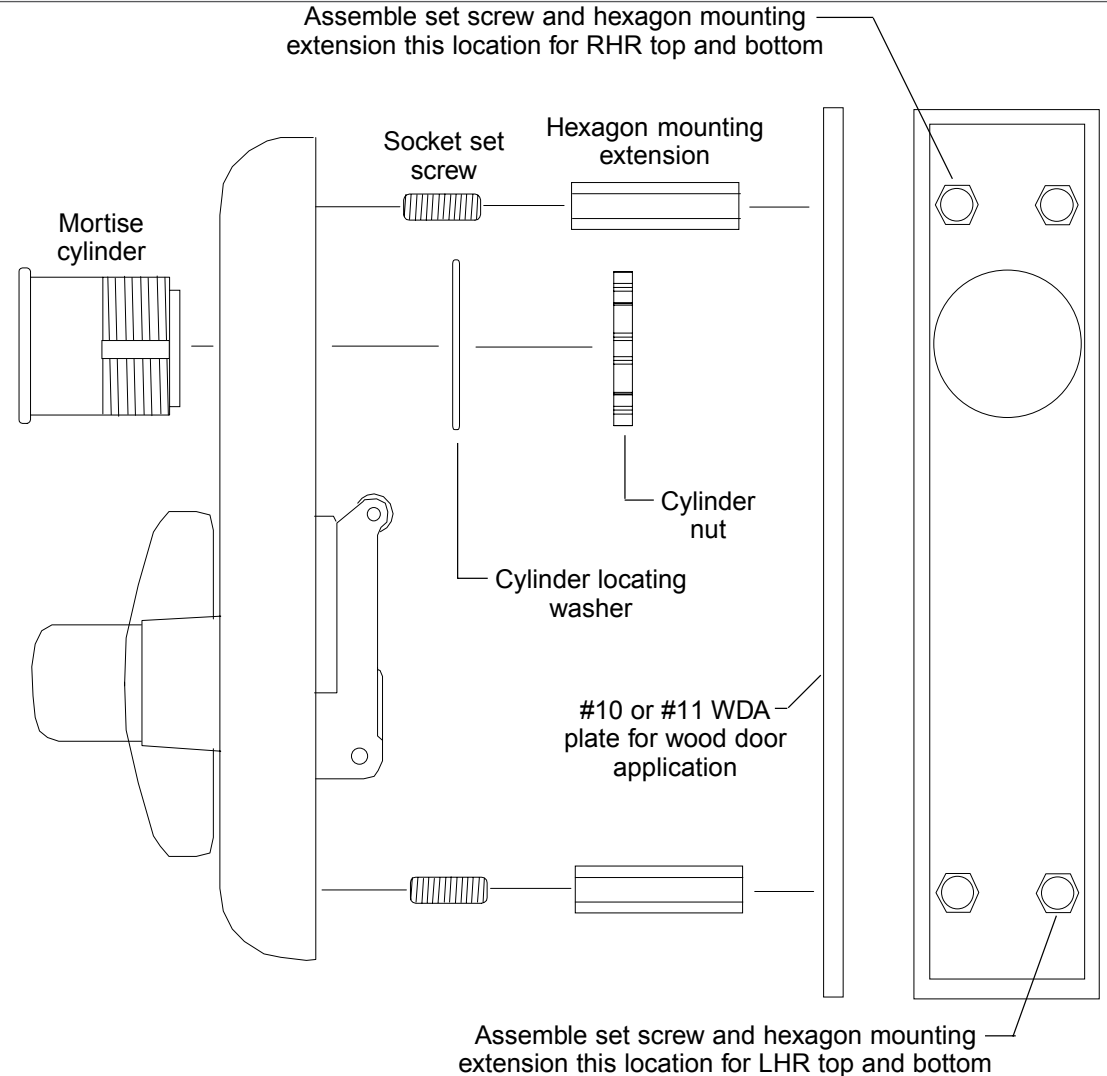
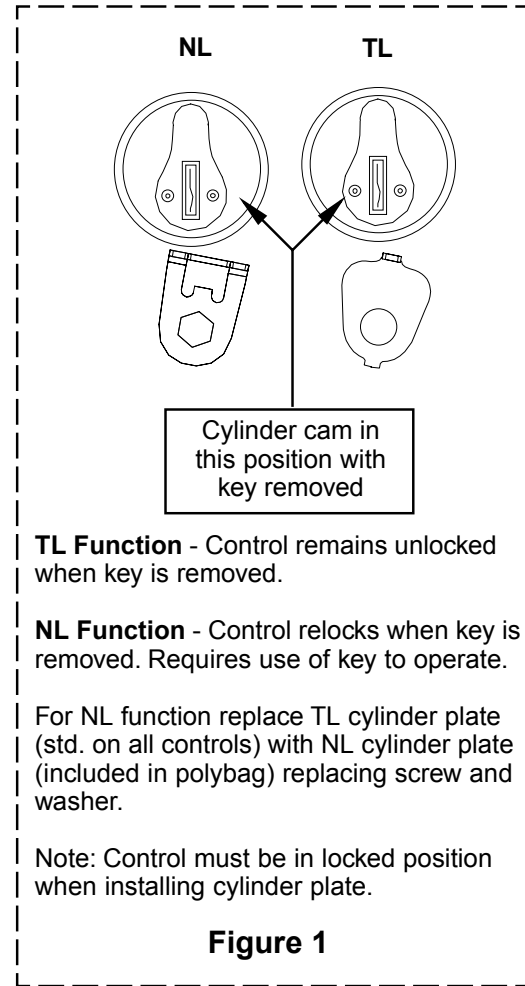
Note: See back side of sheet for hole preparation for metal or wood.

**B.** Locate and prepare holes as indicated.

3. Install cylinder into control if required (Figures 1 & 2). Insure cylinder cam is set for required function and replace if necessary.

4. Install control and exit device to door.

5. Test key, control, and device action.

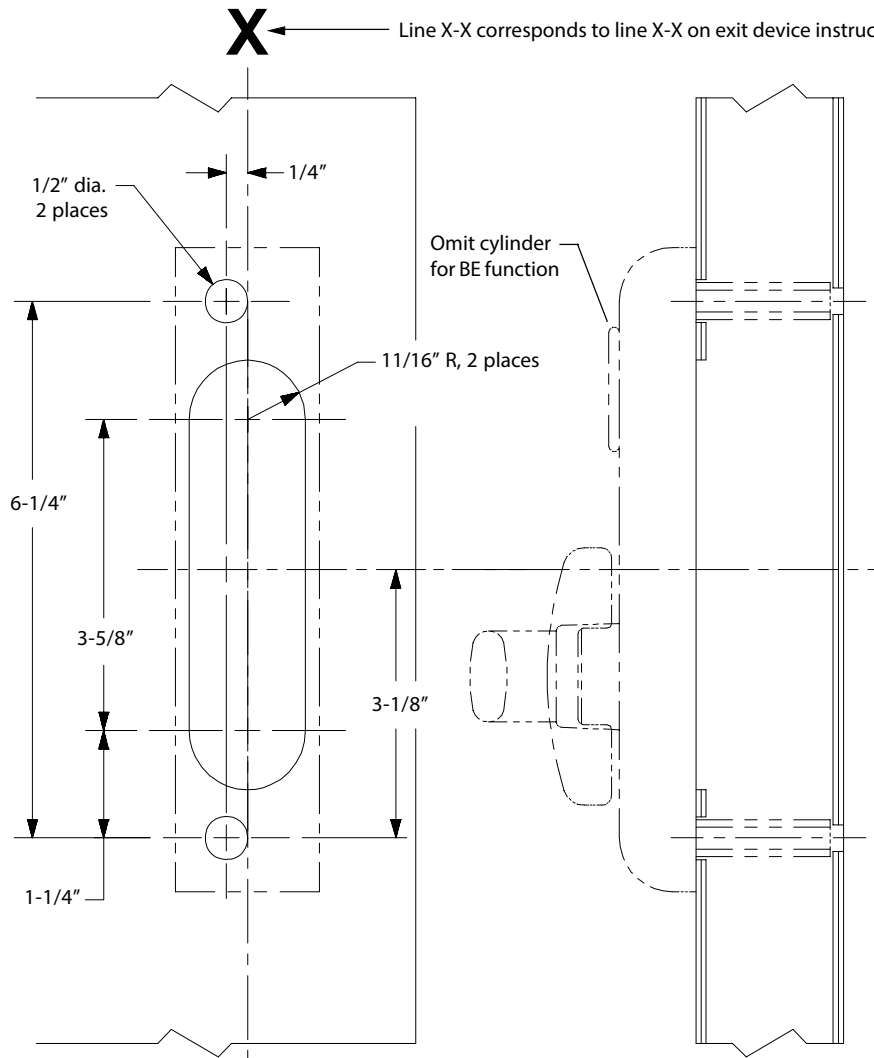


**Customer Service**  
 1-877-671-7011      www.allegion.com/us

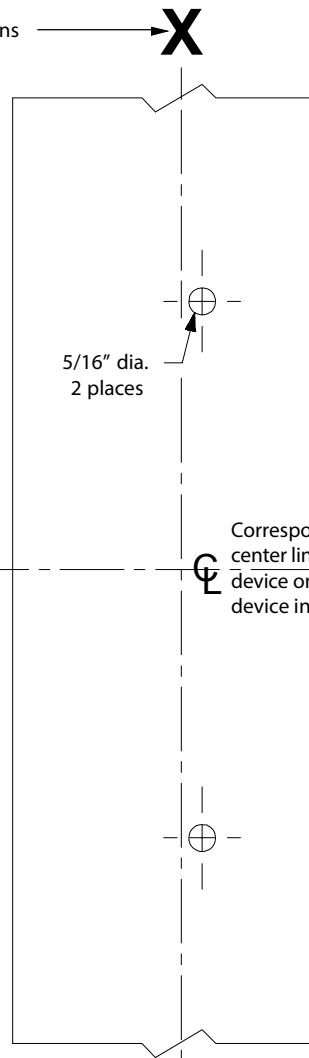


© Allegion 2014  
Printed in U.S.A.  
941094-00 Rev. 01/14-b

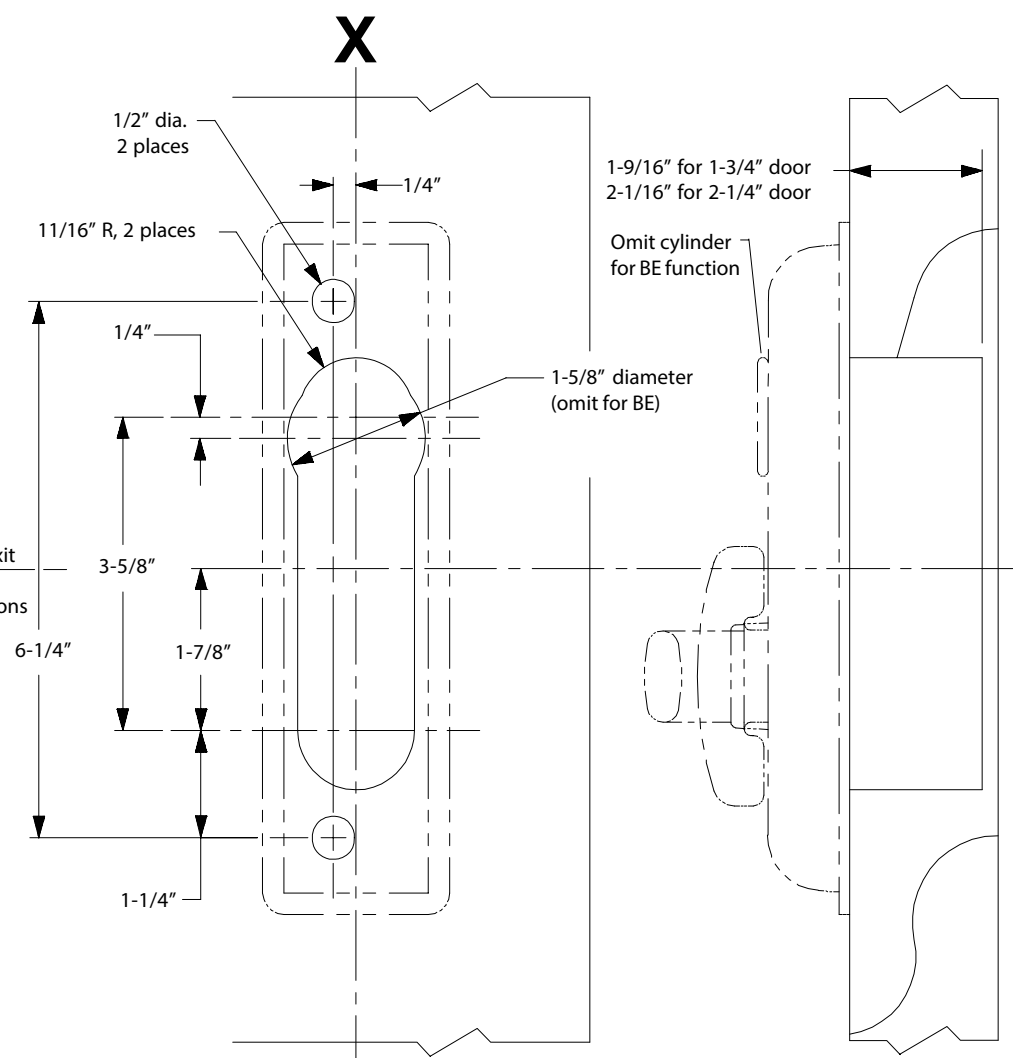
Line X-X corresponds to line X-X on exit device instructions



**Metal Door Application**



Inside face of lock stile



**Wood Door Application**

Outside face of lock stile



LHR shown  
RHR opposite