



921042-00

Trim for 330/350 Push Bar

# 386DT

# VON DUPRIN®

Installation Instructions

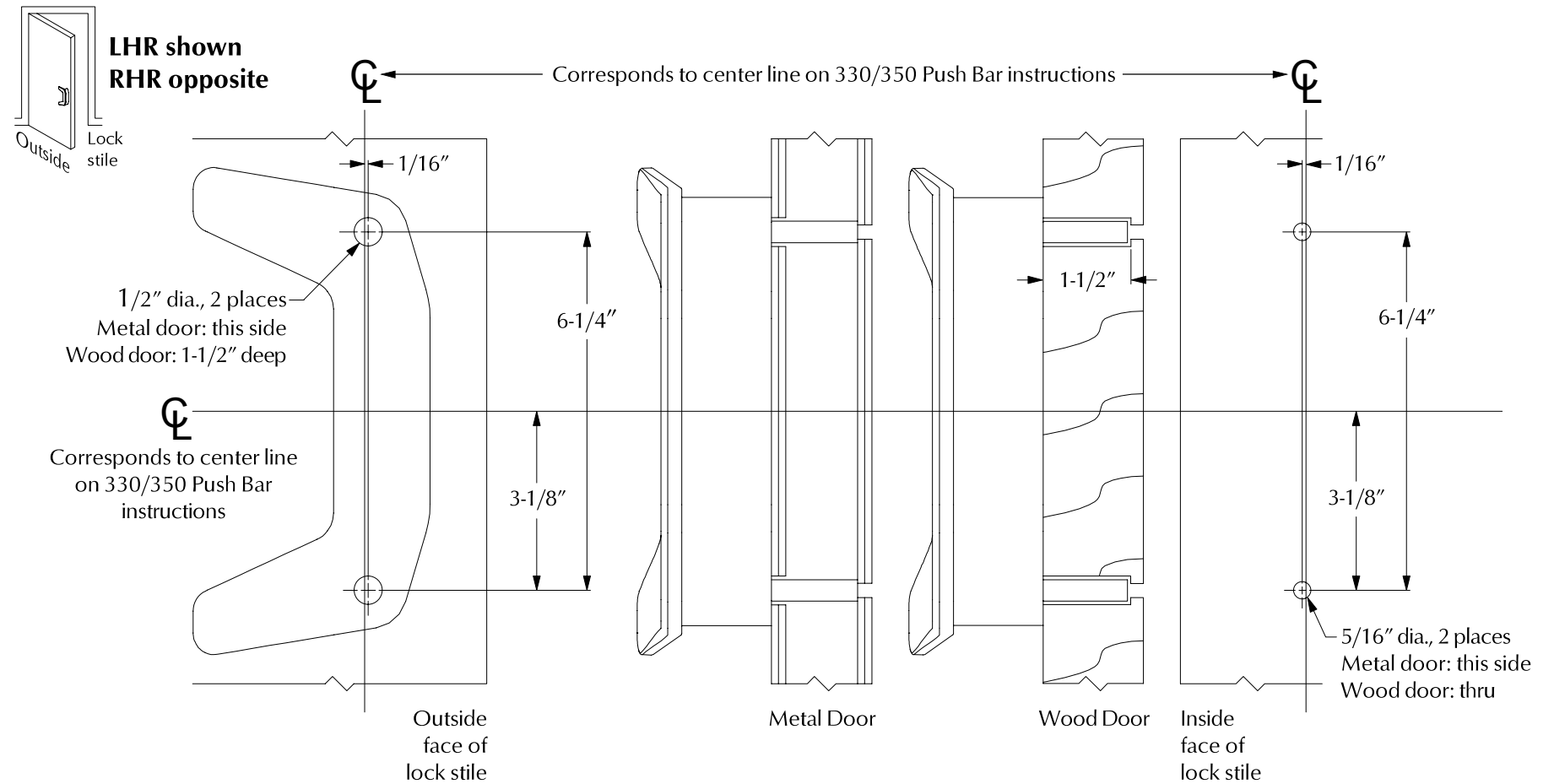
**1.** Prepare door for 330/350 Push Bar.  
See 330/350 Push Bar instructions for holes and center lines.

**2.** Prepare door for 386DT trim:

**A.** Transfer center line from inside (330/350 Push Bar side) of door to outside (386DT trim side) of door. Use extra care if edge of door is beveled. Be sure center line is parallel to edge of door.

**B.** Locate and prepare holes as shown.

**3.** Apply 330/350 Push Bar and 386DT trim.



Customer Service

1-877-671-7011

www.allegion.com/us



© Allegion 2014  
Printed in U.S.A.  
921042-00 Rev. 01/14-b