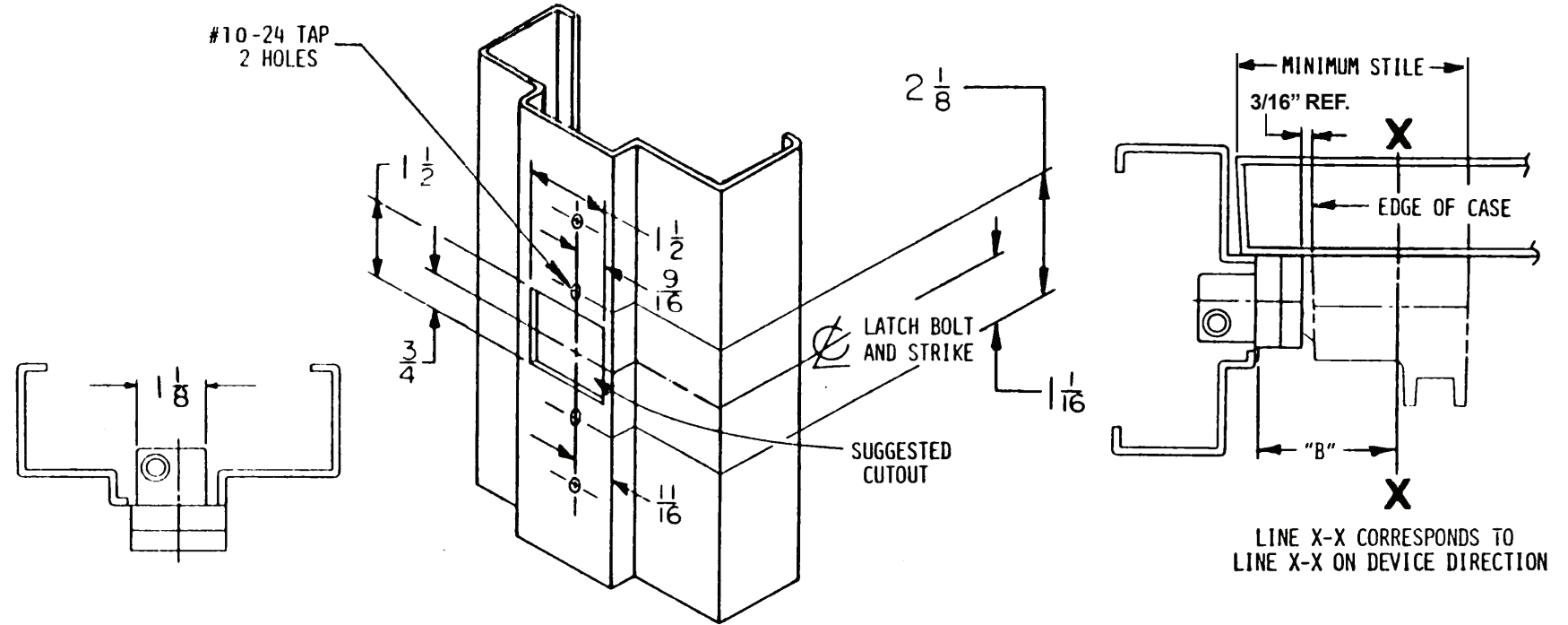
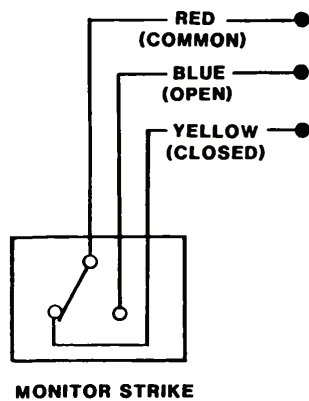


INSTALLATION INSTRUCTIONS

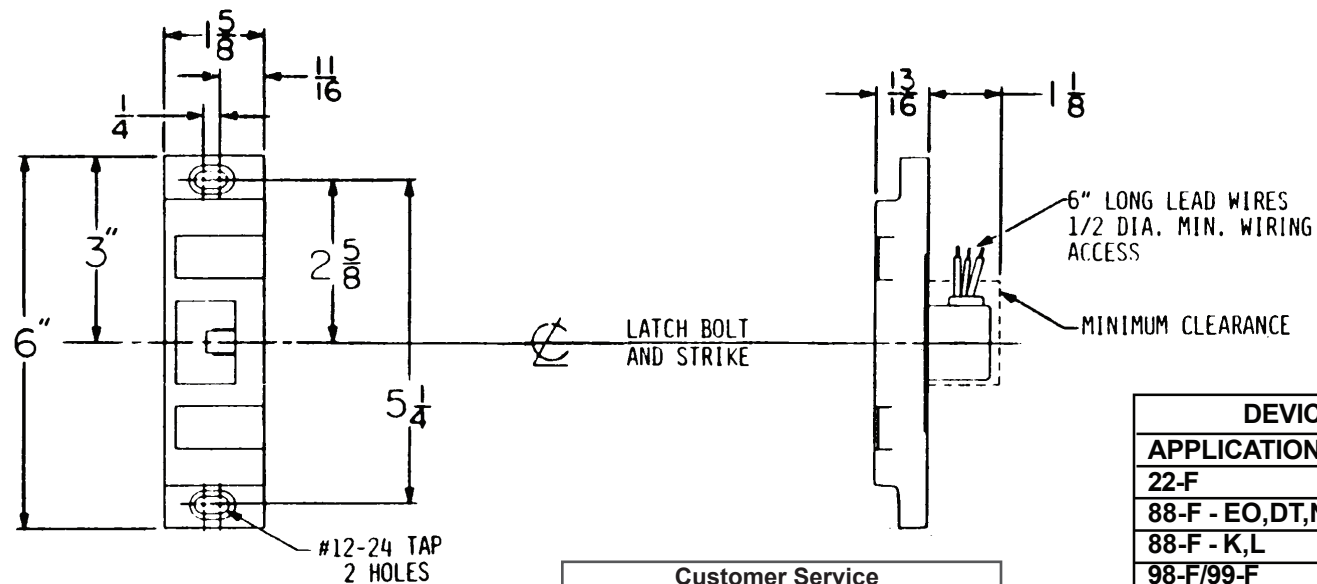
1. FOR DEVICE PREPARATION SEE DIRECTIONS THAT ACCOMPANY THEM.
2. PREPARE FRAME FOR MONITOR STRIKE AS SHOWN.
3. WIRING AND INSTALLATION OF STRIKE
 - A. SECURE SPACER PLATE TO FRAME USING THE (2) #10-24 x 3/8 SCREWS IN THE MOUNTING HARDWARE PACKAGE.
 - B. CONNECT WIRES FROM STRIKE TO LEAD. (SEE WIRING DIAGRAM).
 - C. SECURE STRIKE TO FRAME USING THE (2) #12-24 SCREWS IN THE MOUNTING HARDWARE PACKAGE.
4. CHECK OPERATION OF MONITOR STRIKE.



WIRING DIAGRAM



NOTE: SWITCH POSITION SHOWN WITH TRIPPER DEPRESSED, IE: LATCH BOLT IN STRIKE.



| DEVICE APPLICATION SCHEDULE | | |
|-----------------------------|----------|------------|
| APPLICATION | DIM "B" | MIN. STILE |
| 22-F | 2-7/16" | 4-1/2" |
| 88-F - EO,DT,NL, & TP | 2-1/2" | 4-3/8" |
| 88-F - K,L | 2-3/8" | 4-3/8" |
| 98-F/99-F | 2-7/16" | 4-1/2" |
| 33A/35A | 1-15/32" | 2-15/16" |

Customer Service
1-877-671-7011 www.allegion.com/us

FOR CUTOUTS ON INSIDE FACE OF DOOR
SEE DIRECTIONS IN DEVICE CARTON.

ALLEGION
© Allegion 2015
Printed in U.S.A.
931201-00 Rev. 06/15-b

DESCRIPTION:

4268 MONITOR STRIKE

VON DUPRIN

DIRECTION NUMBER: 931201-00

DATE 6-25-15