



941071-00

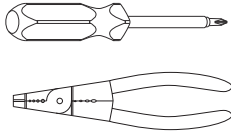
Electric Power Transfer (EPT)

EPT2, EPT10, & EPT10C

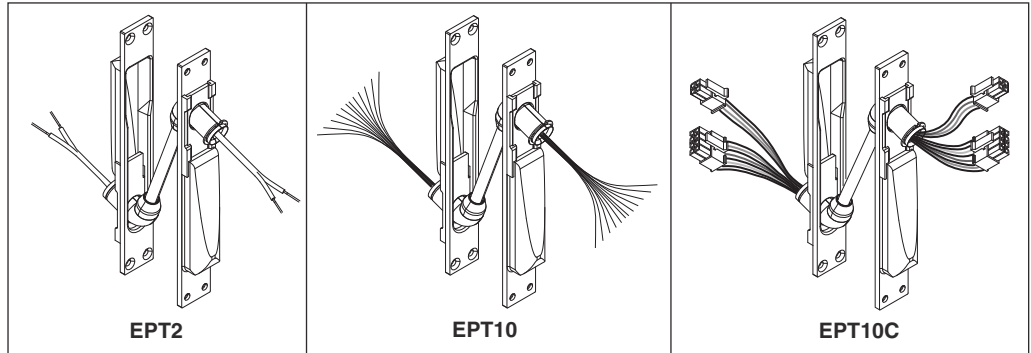
VON DUPRIN®

Installation Instructions

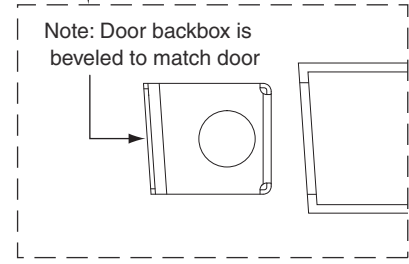
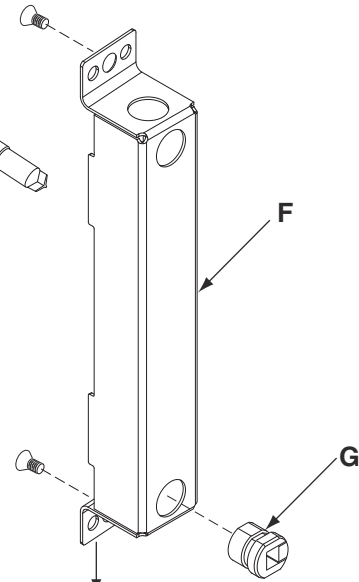
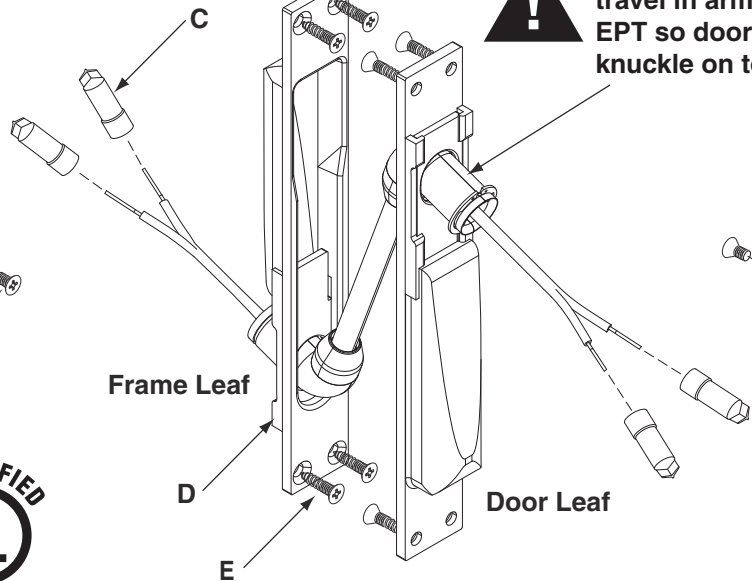
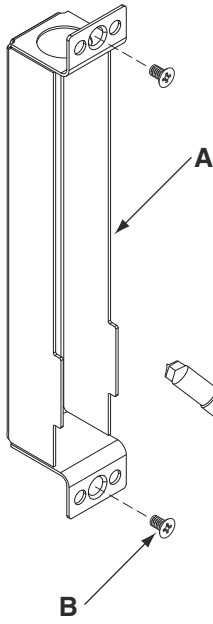
Tools for Install



Read all Warnings Before Starting Installation!



To ensure the maximum amount of travel in arm for cam lift hinges, install EPT so door side leaf is oriented with knuckle on top.



- A. Frame Backbox
- B. Metal - #10-24 x 3/8" Flat Phillips Head Machine Screw (4)
Wood - #10 x 3/4" Flat Phillips Head Wood Screw (4)
- C. EPT2 - Wire Connectors 12 Gauge Yellow (4)
EPT10 - Wire Connectors 18 Gauge Violet (20)
EPT10C - Wire Connectors 18 Gauge Violet (20)
- D. EPT Assembly
- E. Metal - #10-24 x 3/4" Flat Phillips Head Machine Screw (8)
Wood - #10 x 3/4" Flat Phillips Head Wood Screw (8)
- F. Door Backbox
- G. Strain Relief



Customer Service

1-877-671-7011

www.allegion.com/us

© Allegion 2019
Printed in U.S.A.
941071-00 Rev. 8/19-f

General Information

An electric power transfer (EPT) provides a wiring path from the door to the frame.

These instructions assume that a factory-prepped door and frame are being used. If the door and frame have not been factory-prepped, see the included dimensioned template.

Before beginning the installation, review "Specifications" and "Warnings".

Specifications

Applications

EPT **can** be used for:

- Door Thickness - 1-3/4" minimum
Note: The following specifications apply to a 1-3/4" thick door.
- 0 - 180° opening with up to 5" butt hinges
- 0 - 180° opening with up to 3/4" offset pivots
- 0 - 130° opening with 5-1/2" butt hinges
- 0 - 110° opening with 6" butt hinges

EPT **cannot** be used for:

- 1-1/2" offset pivots
- larger than 6" butt hinges
- pocket pivots
- swing clear hinges
- center hung door (center pivot)
- balanced door

Electrical Ratings

EPT2

- Two 18AWG wires
- Max. Rating: 24VDC, 5A or 120VAC NEC Class 3

EPT10 & EPT10C

- Ten 24AWG wires
- Max Rating: 24VDC, 1A

Read all Warnings Before Starting Installation!



Do not exceed rated specifications (shown above).



EPT must be installed in accordance with these instructions by a qualified electrician.



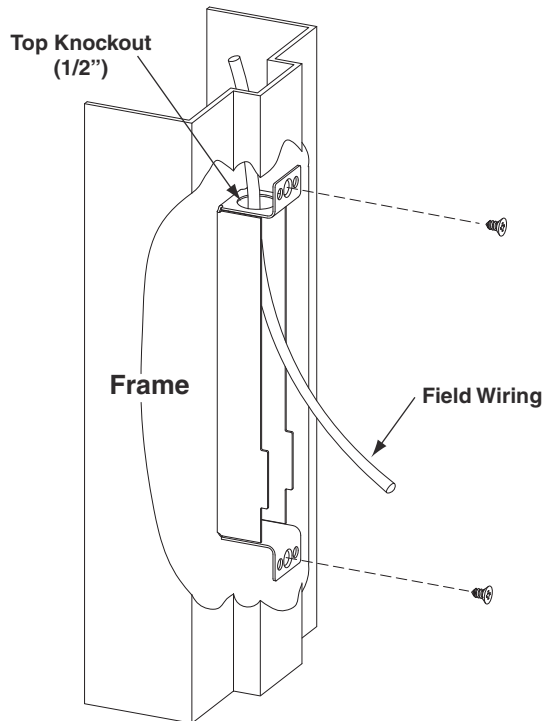
Wiring must be in accordance with all local codes and regulations.

Installation

1 Use Template from Back Page to Verify Preparation

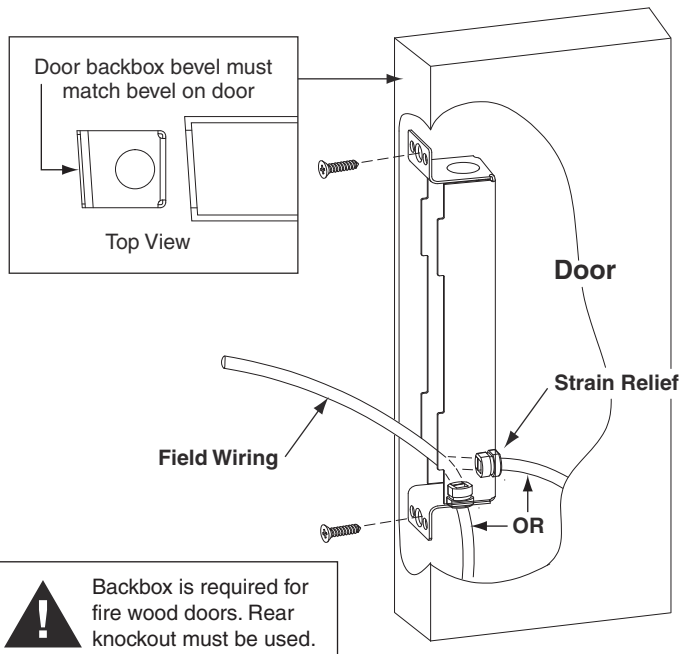
2 Mount Frame Backbox

- A. Remove knockout from top
- B. Install 1/2" conduit, if used
- C. Pull 5" of field wiring through knockout

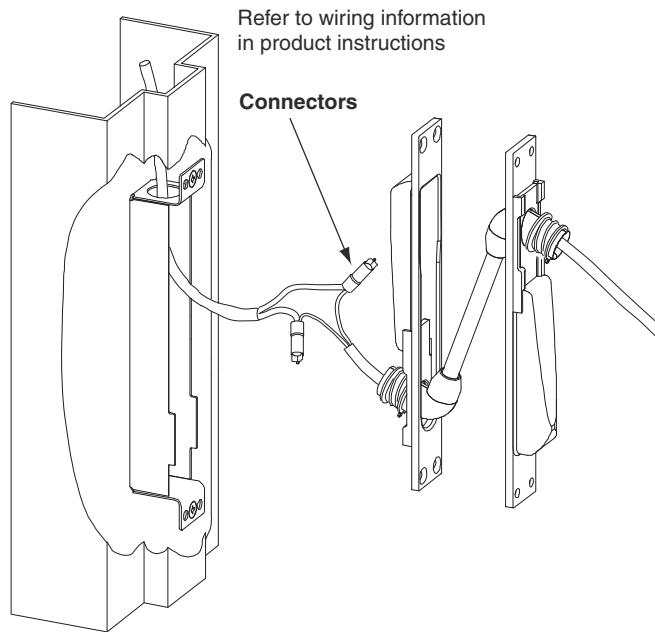


3 Mount Door Backbox

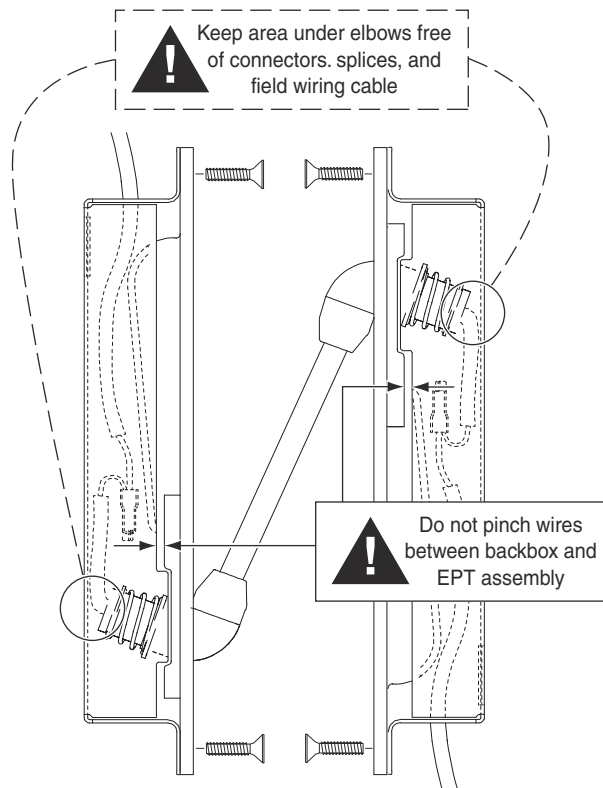
- A. Ensure backbox bevel matches door bevel
- B. Remove knockout:
 - from bottom for **metal** doors
 - from back for **wood** doors
- C. Pull 5" of field wiring through knockout
- D. Install strain relief



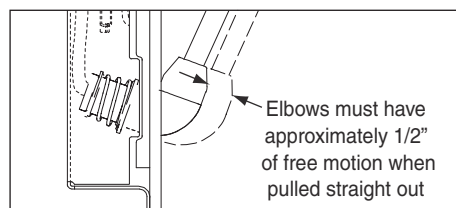
4 Connect Wires



5 Mount EPT Assembly

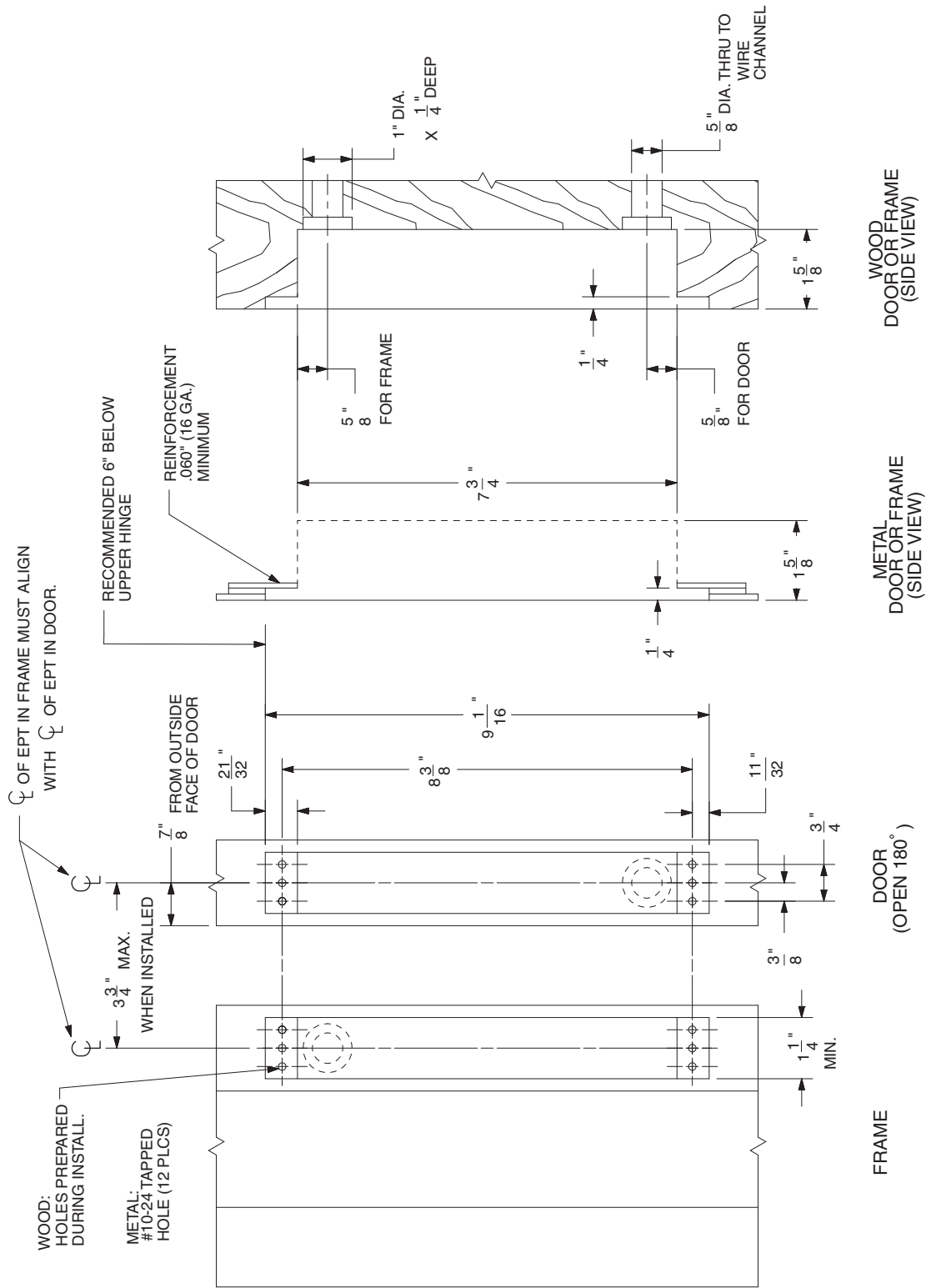


6 Verify that door opens and closes properly without binding and that electrical components function



Template

Note: This drawing is not to scale



*ALL DIMENSIONS ARE TYPICAL