



941958-00

98/9927, 98/9927-F, 3327A/3527A, 2227/2227-F, 3327 & 3527

VON DUPRIN®

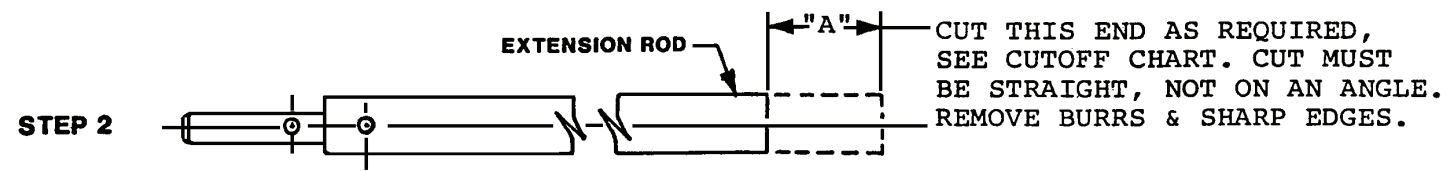
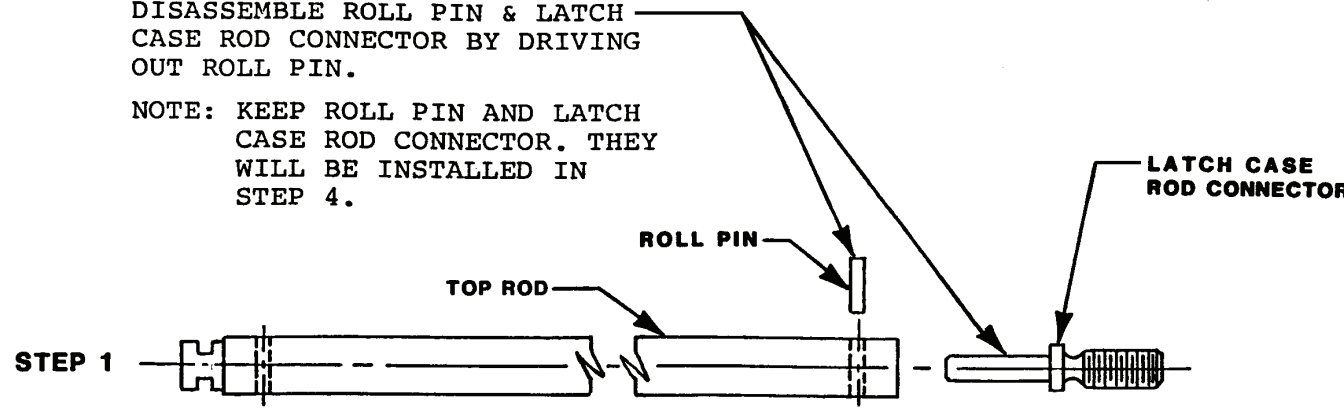
Rod extension preparation for doors over 7' tall

Installation Instructions

For 98/9927, 98/9927-F, 3327A/3527A, & 2227/2227-F

DISASSEMBLE ROLL PIN & LATCH CASE ROD CONNECTOR BY DRIVING OUT ROLL PIN.

NOTE: KEEP ROLL PIN AND LATCH CASE ROD CONNECTOR. THEY WILL BE INSTALLED IN STEP 4.

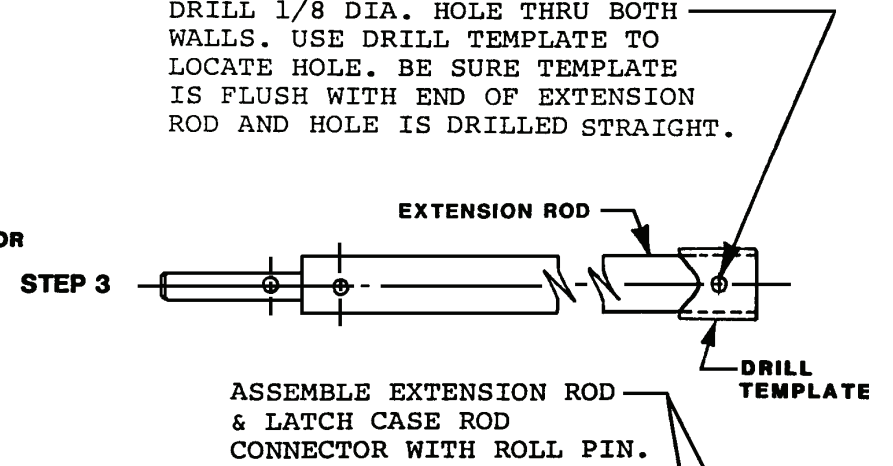


CUTOFF CHART	
	ENTER 96" FOR 8' EXTENSION KIT OR 120" FOR 10' EXTENSION KIT
-	SUBTRACT DOOR OPENING HEIGHT (INCHES)
	DIM "A" REQUIRED ROD CUTOFF DIM.(INCHES)

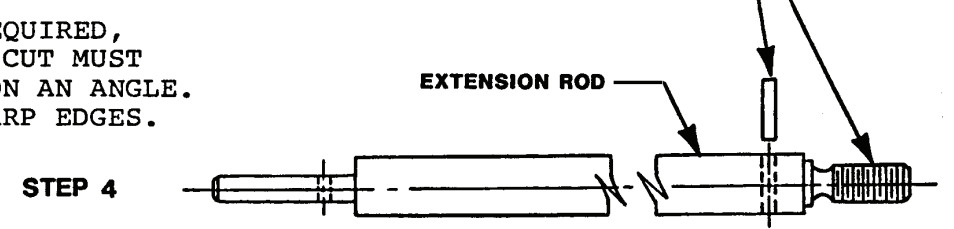
NOTE: IF "A" IS 0 NO CUT IS REQUIRED.

IMPORTANT: FOR DOOR HEIGHTS LESS THAN 7'4", CUT "A" DIM. FROM TOP ROD INSTEAD OF EXTENSION ROD.

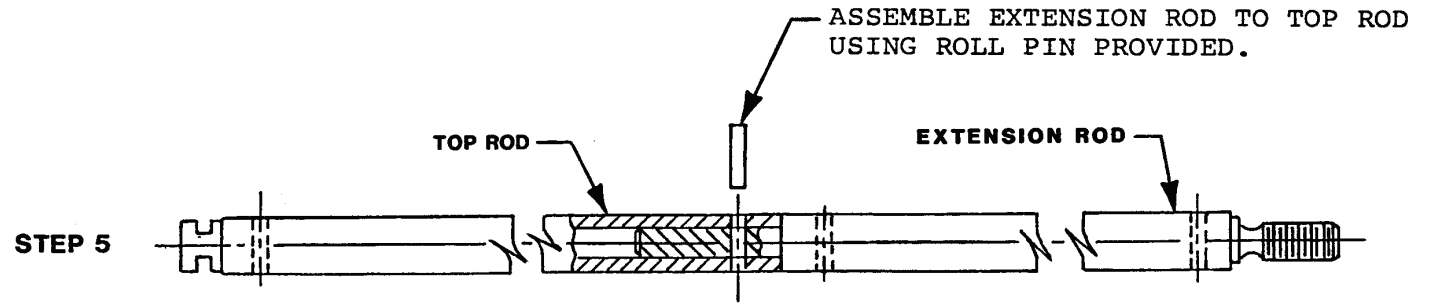
DRILL 1/8 DIA. HOLE THRU BOTH WALLS. USE DRILL TEMPLATE TO LOCATE HOLE. BE SURE TEMPLATE IS FLUSH WITH END OF EXTENSION ROD AND HOLE IS DRILLED STRAIGHT.



ASSEMBLE EXTENSION ROD & LATCH CASE ROD CONNECTOR WITH ROLL PIN.



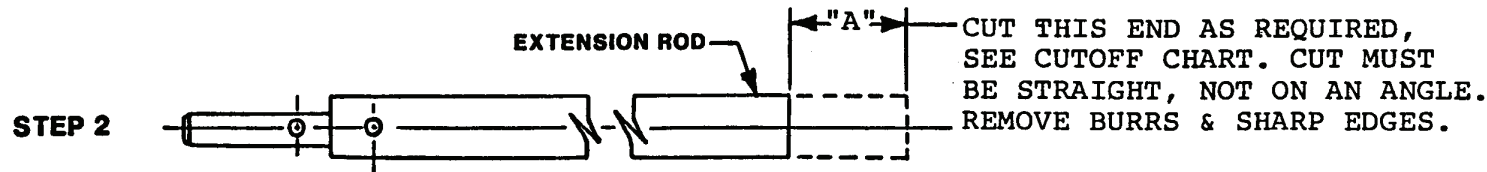
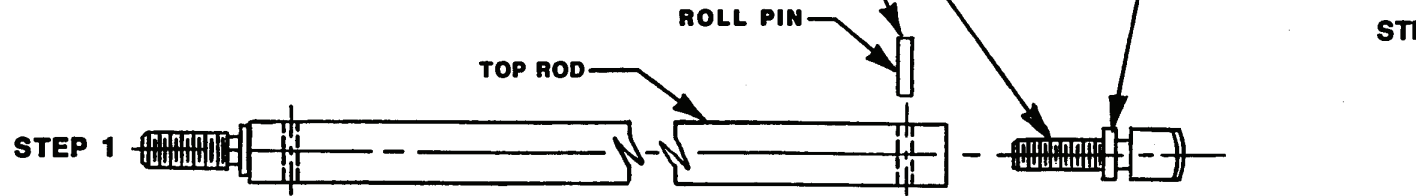
ASSEMBLE EXTENSION ROD TO TOP ROD USING ROLL PIN PROVIDED.



For 3327/3527 manufactured before 8/4/2003

DISASSEMBLE ROLL PIN & LATCH CASE ROD CONNECTOR BY DRIVING OUT ROLL PIN.

NOTE: KEEP ROLL PIN AND LATCH CASE ROD CONNECTOR. THEY WILL BE INSTALLED IN STEP 4.



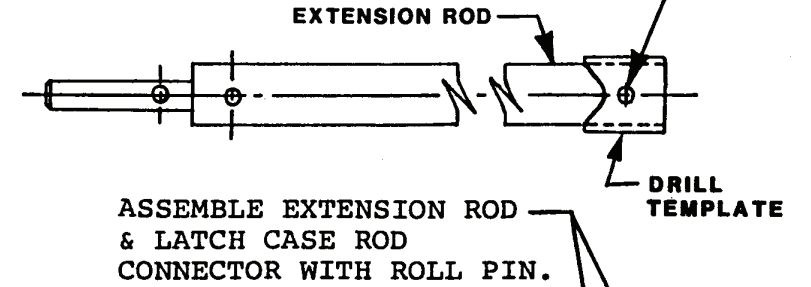
CUTOFF CHART	
	ENTER 96" FOR 8' EXTENSION KIT OR 120" FOR 10' EXTENSION KIT
-	SUBTRACT DOOR OPENING HEIGHT (INCHES)
	DIM "A" REQUIRED ROD CUTOFF DIM.(INCHES)

NOTE: IF "A" IS 0 NO CUT IS REQUIRED.

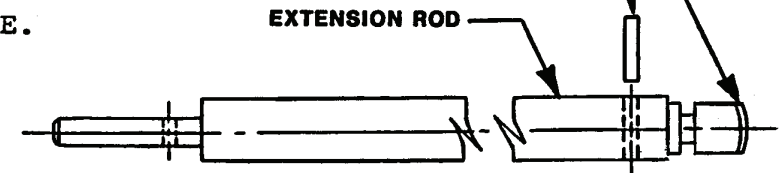
IMPORTANT: FOR DOOR HEIGHTS LESS THAN 7'4", CUT "A" DIM. FROM TOP ROD INSTEAD OF EXTENSION ROD.

DRILL 1/8 DIA. HOLE THRU BOTH WALLS. USE DRILL TEMPLATE TO LOCATE HOLE. BE SURE TEMPLATE IS FLUSH WITH END OF EXTENSION ROD AND HOLE IS DRILLED STRAIGHT.

STEP 3



STEP 4



ASSEMBLE EXTENSION ROD TO TOP ROD USING ROLL PIN PROVIDED.

STEP 5

