

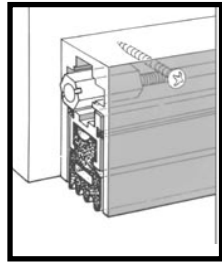


47255399

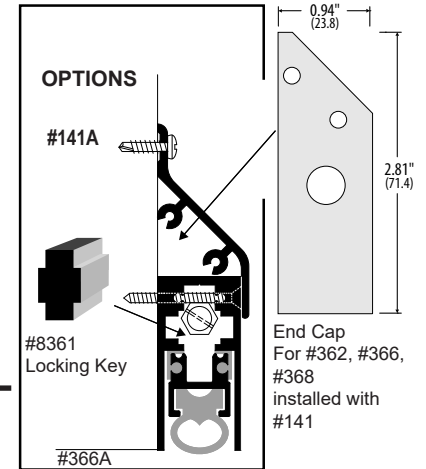
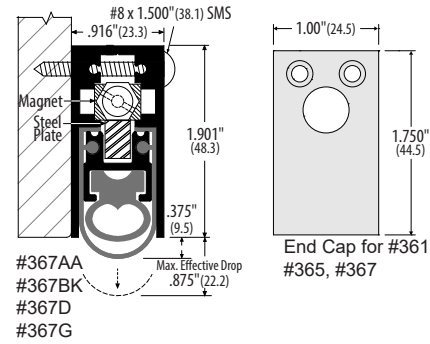
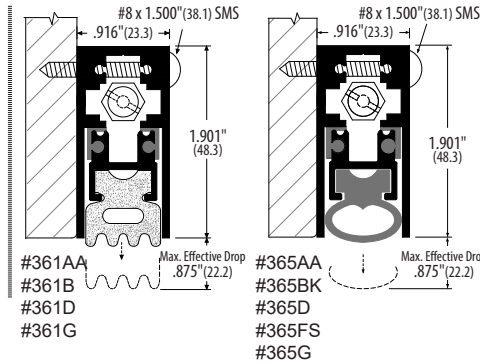
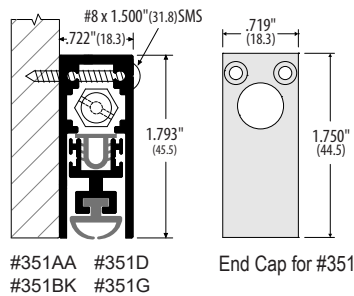
Models 320, 350, 7350, 351, 352, 360, 361, 362, 364, 365, 366, 367, 368, & 369 Automatic Door Bottoms



Installation Instructions

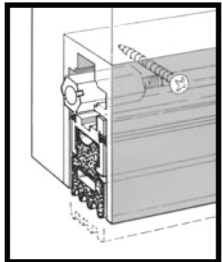


● Surface-Mounted

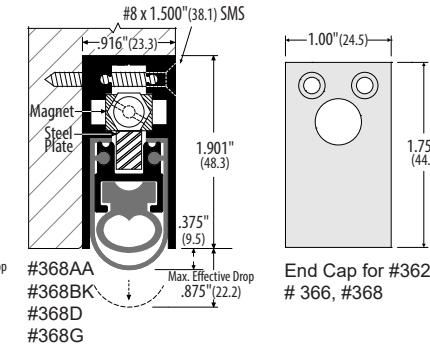
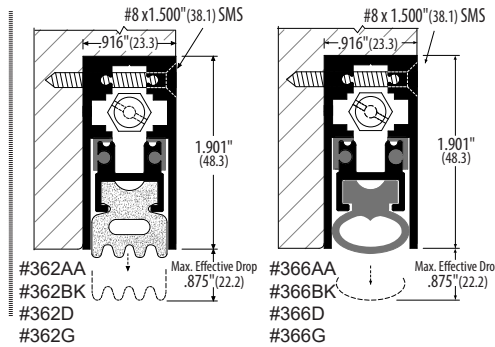
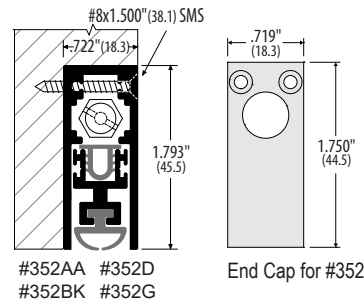


Surface-Mounted Automatic Door Bottom With Watershed Option

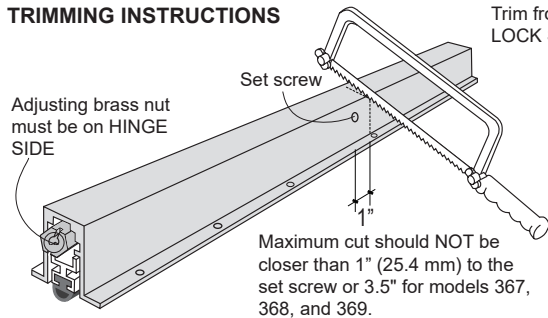
① Note: #8361 Locking Key can't be used with end caps.



● Semi-Mortised



TRIMMING INSTRUCTIONS



1. Cut the automatic door bottom (ADB) to the size needed. Leave 1/16" (1.6 mm) clearance on each end.
2. Place the ADB on the door. All surface and semi-mortised units must be mounted on the push side of the door (side where the door stop is).
3. Fasten with screws provided. The adjusting brass nut must be on the hinge side and should not be adjusted until the unit has been mounted.
4. Optimum clearance between door bottom unit and floor or sill is 3/8" (9.5 mm). For model #369 clearance is 5/8" (15.9 mm).
5. Final adjustment to control the drop of the automatic door bottom can be made once the unit is installed, by turning the adjusting brass nut in or out. Open and close the door while adjusting the brass nut to get the desired seal with the floor or sill. Do not over adjust.



Positive Pressure Tested Gasketing Materials For Fire Doors. For application to hollow metal type fire doors rated up to 3 hours, fiberglass or wood composite type fire doors rated up to 1-1/2 hours and wood type fire doors rated up to 20 minutes. Category J

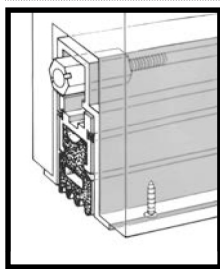
Customer Service

1-877-671-7011 www.allegion.com/us

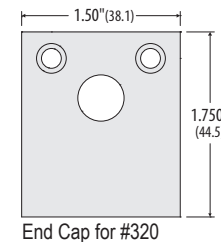
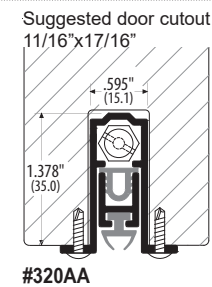
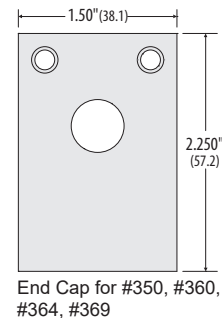
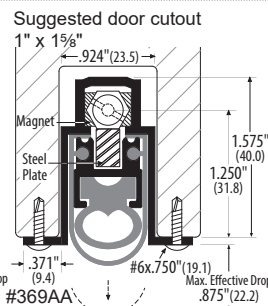
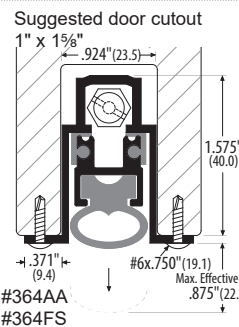
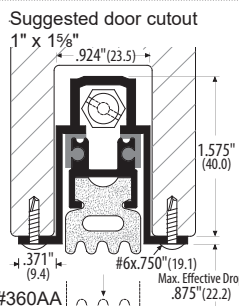
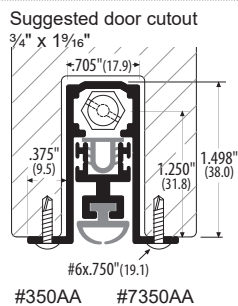


© Allegion 2019
Printed in U.S.A.
47255399 Rev. 03/19-d

* Listing applicable for all models except #7350



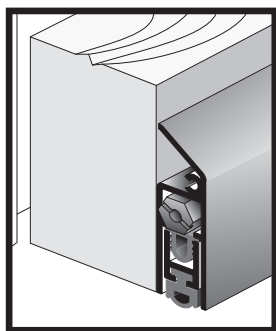
● Mortised



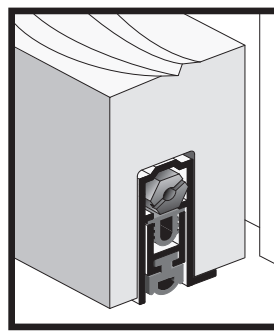
Models 321, 323 Automatic Door Bottoms - Handed

TO INSTALL:

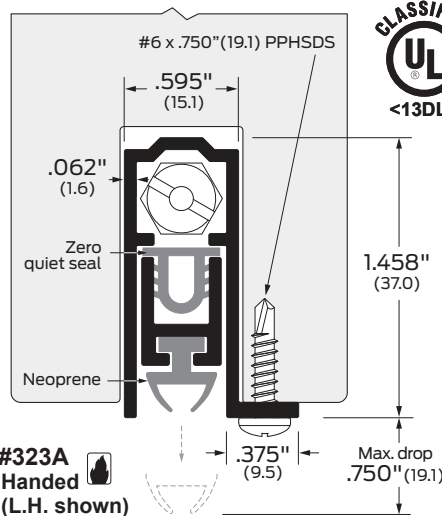
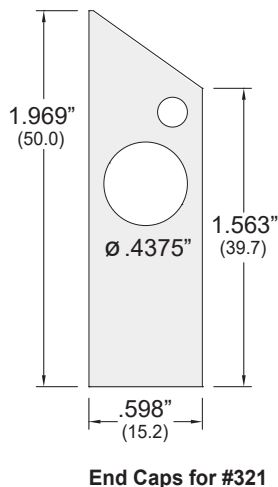
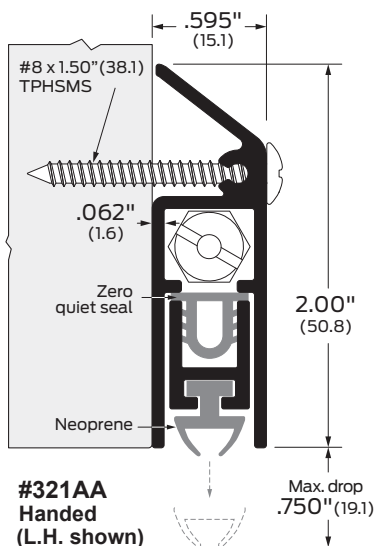
- 1 Surface mounted unit must be mounted on the push side of the door stop (side where the door stop is).
- 2 The brass adjusting nut must be on the hinge side and should not be adjusted until the unit has been mounted.
- 3 Leave 1/16" (1.6) clearance on each end.
- 4 Optimum clearance between door bottom unit and floor or sill is 3/8" (9.5).



Surface-Mounted



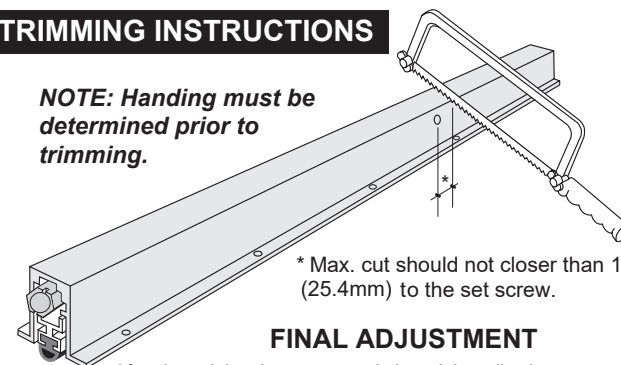
Mortised



Positive Pressure Tested Gasketing Materials For Fire Doors. For application to hollow metal type fire doors rated up to 3 hours, fiberglass or wood composite type fire doors rated up to 1-1/2 hours and wood type fire doors rated up to 20 minutes. Category J

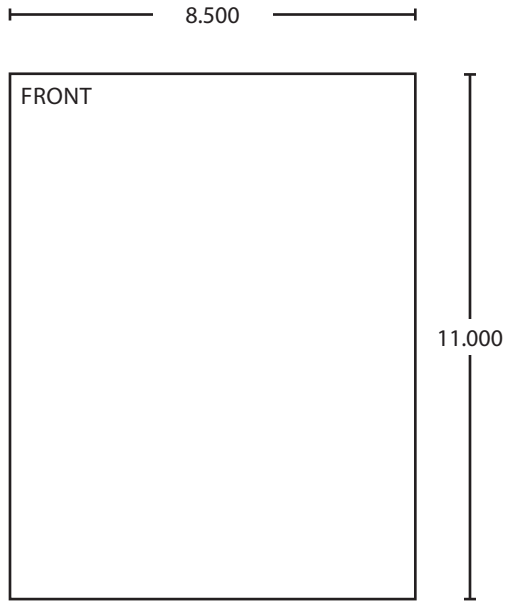
TRIMMING INSTRUCTIONS

NOTE: Handing must be determined prior to trimming.

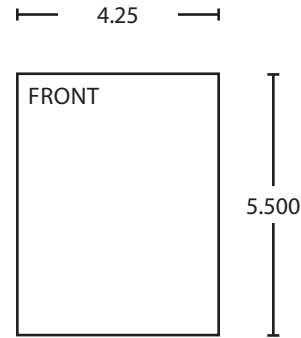


FINAL ADJUSTMENT

After the unit has been mounted, thread the adjusting nut out until the seal contacts the floor/sill when the door is closed. Take care not to thread the adjusting too far out as that can damage the door bottom.



BEGINNING SHEET



FOLDED SHEET

Additional Notes:
1. None

Revision History						Revision Description: D > Revised artwork					
A	B	C	D	E	F						
xxxxx			062679								
Material White Paper						Edited By J. Ellis		Approved By M. Roberts		EC Number 062679	Release Date 03-27-19
Notes 1. printed two sides 2. printed black 3. tolerance ± .13 4. printed in country may vary 5. drawings not to scale						Title Zero automatic door bottoms installation instruction					
						Creation Date xx-xx-xx		Number 47255399			Revision D
						Created By X. XXXXX		Activity 3899 Hancock Expwy Security, CO 80911		© Allegion 2019	
						Software: InDesign CS6					