

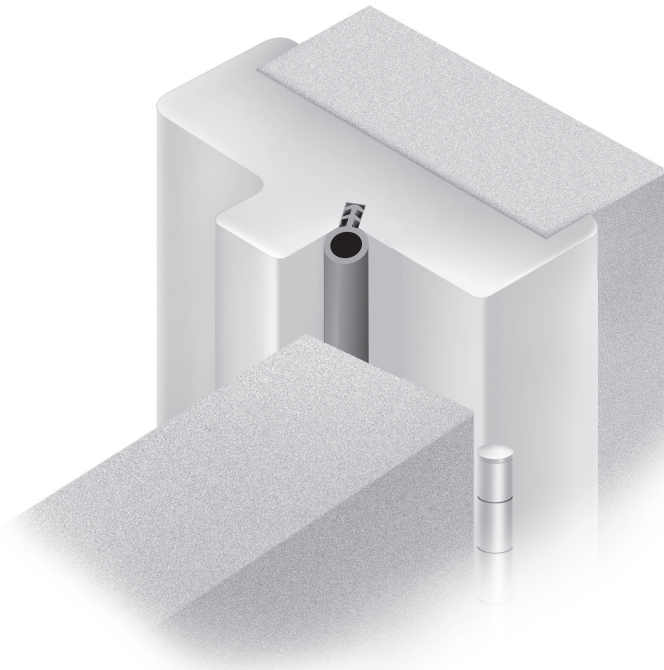
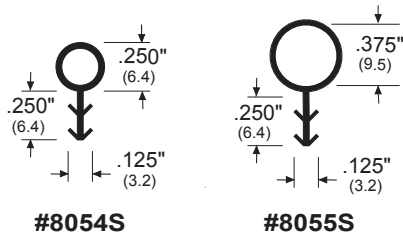


47255391

Models 8054, 8055 Kerf Frame Weatherstripping

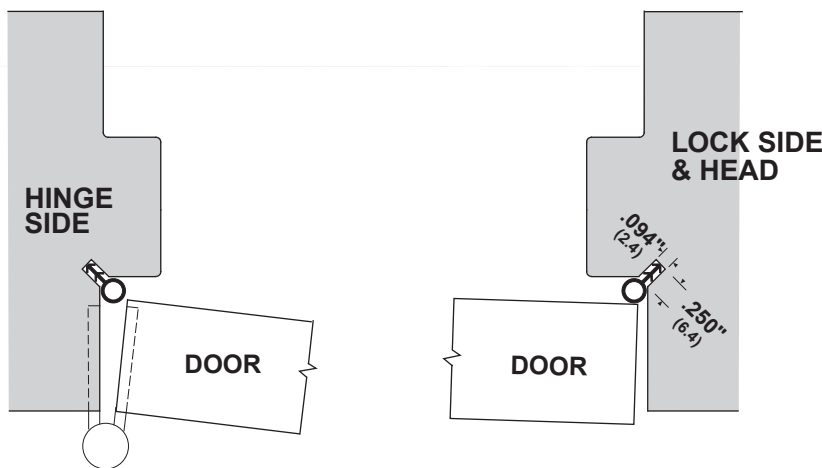


Installation Instructions



- 1** Pre-groove head and jambs before installation.
Cut a 3/32" x 1/4" (2.4mm x 6.4mm) groove at a 45° angle in the corner of rebate. (See drawing for location.)
- 2** Measure and cut seals to the full length required.
(Small seals can be cut with scissors, but large seals should be cut with a sharp knife.)
- 3** Insert the seal into the groove by pressing with your finger. First, press in the two ends. Second, press in the middle. Third, press in the middle of each half. Fourth, press in the middle of each quarter, and so on until the seal has been inserted slightly every 6" to 8" (152mm to 203mm).
Make sure the seals properly installed by running your fingers along the entire length.

IMPORTANT: DO NOT STRETCH THE SEAL DURING INSTALLATION.



Customer Service

1-877-671-7011

www.allegion.com/us

© Allegion 2016
Printed in U.S.A.
47255391 Rev. 11/16-b