



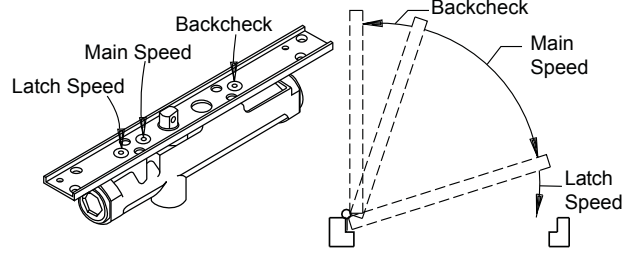
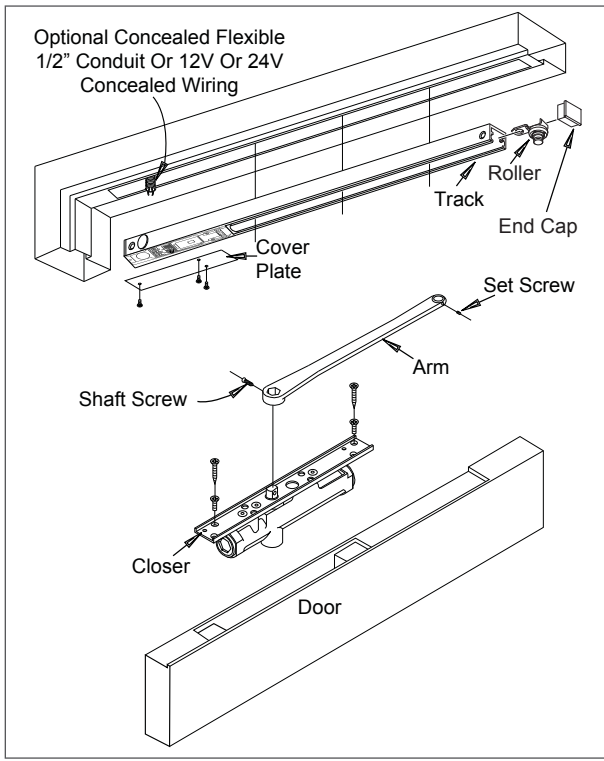
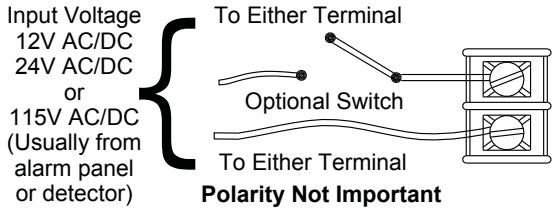
18782

3130-SEL Sentronic



Installation Instructions

① **NOTE: Not for installation on UI rated 20 minute wood core doors per can/ulc-s104-10**

Instructions	Regulation
<p>1a Closer is handed at factory and must match hand of door. hand of closer shown on mounting channel. Voltage shown on SENTRONIC cover plate must match voltage supplied to door frame.</p>	<p>① Important Do not allow door to slam into frame. A “normal” closing time from 90° open position is 5 to 7 seconds, evenly divided between main swing speed and latch swing speed. Use socket screw key furnished. To slow MAIN SPEED of door, turn regulating screw (nearest arm) clockwise. To slow LATCH SPEED of door, turn regulating screw (nearest hinge) clockwise.</p>
<p>1b If door & frame are not prepared for closer & track then prepare in accordance with details on opposite side.</p>	<p>Backcheck</p>
<p>1c Remove cover plate from track. Assemble flexible conduit connector to tapped hole provided in top of track. Connect power supply wires to track terminal strip. See wiring diagram below. Insert track roller into track. Make sure roller stud is inserted into hole in track slide. Insert track into frame and secure with proper screws as shown on opposite side. Replace cover plate.</p>	<p>To increase BACKCHECK, turn regulating screw (nearest latch) clockwise. Use lightest BACKCHECK that will retard door opening sufficiently. DO NOT ABRUPT BACKCHECK NOR EXPECT DOOR CLOSER TO ACT AS A STOP</p>
<p>1d Insert closer in cut out in door & secure with proper screws.</p>	<div data-bbox="836 808 1526 955" style="border: 1px solid black; padding: 5px; text-align: center;"> <p>⚠ CAUTION ⚠ Improperly installed or regulated closers can cause property damage or personal injury. Please follow these instructions carefully.</p> </div> 
<p>1e Place arm on closer shaft and secure with shaft screw.</p>	<p>Electrical Checkout</p>
<p>1f Loosen set screw in end of arm, open door part way (about 30°), pull arm away from top of door and connect to track roller. Tighten set screw firmly. Open door to hold open position.</p> 	<ol style="list-style-type: none"> With power on, open door fully. Door should remain in open position. If door does not stay open check electrical input. Turn power off. Door should close immediately. Turn power on and leave door in the open position. System should be checked at frequent intervals. It is suggested that steps 1 & 2 be repeated every 90 days. <p>① Note: If door does not close when power is off, consult LCN Representative or factory.</p>  <p>Input Voltage 12V AC/DC 24V AC/DC or 115V AC/DC (Usually from alarm panel or detector)</p> <p>To Either Terminal</p> <p>Optional Switch</p> <p>To Either Terminal</p> <p>Polarity Not Important</p>

Conduit Quick Connector

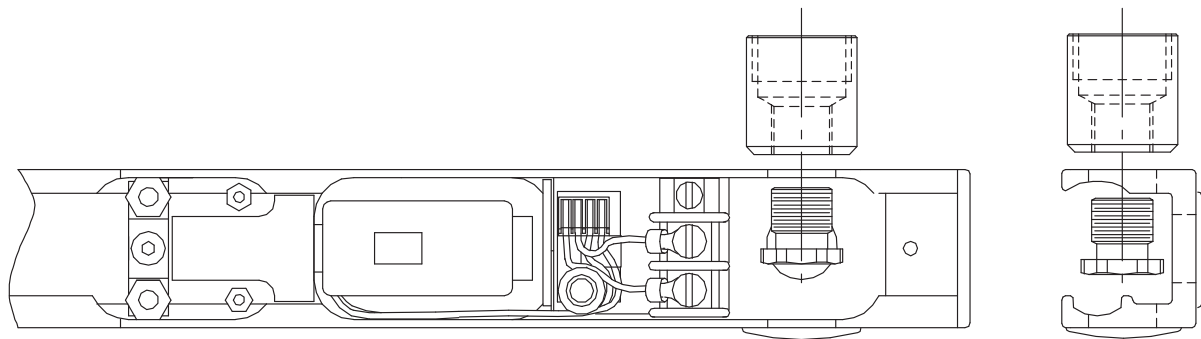


Fig. 1

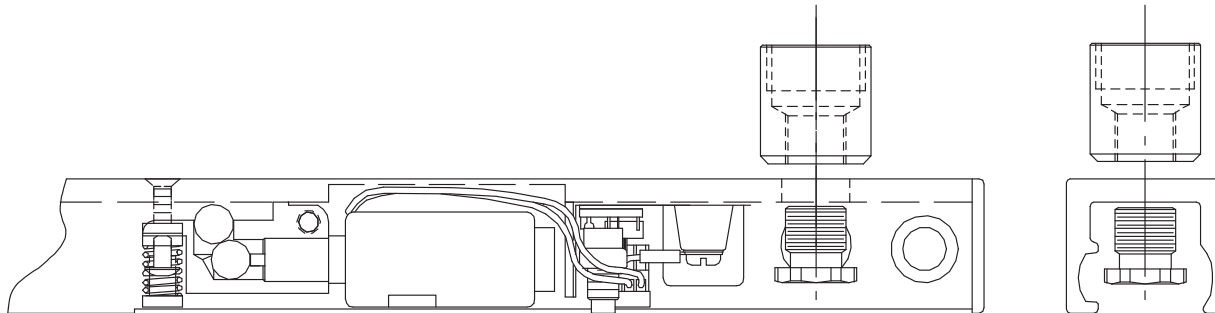


Fig. 2

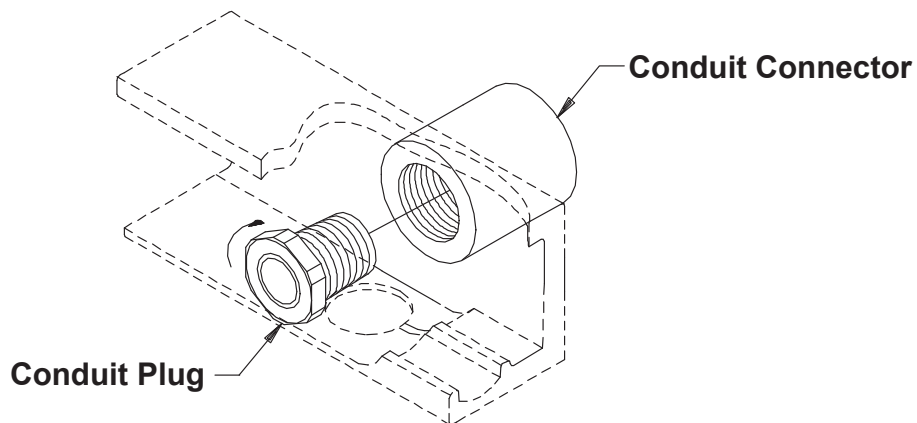
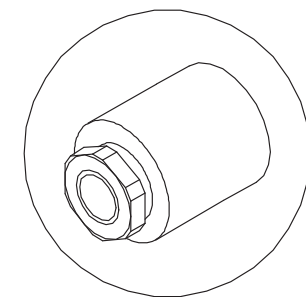


Fig. 3



**Conduit Plug shown
in Conduit Connector**

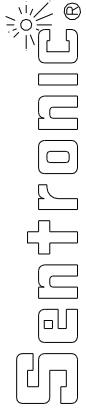
Installation Instructions

- 1a The Conduit Quick Connector and Plug can be found in the closer screwpack.
- 1b The Conduit Quick Connector should be fastened to the 1/2" concealed conduit prior to step 3 on the closer installation instructions.
- 1c During step 3 on the closer installation instructions, make sure that the Conduit Connector is secured flush against the track surface. See option in Fig. 1 below that matches the mounting option selected for track surface. With the track mounted, take the Conduit Plug and slide it through the 1/2" hole in the track. (see Fig.2) Tighten the Plug into the Conduit Connector using a 5/8" wrench, until completely secure, as shown in Fig.3.

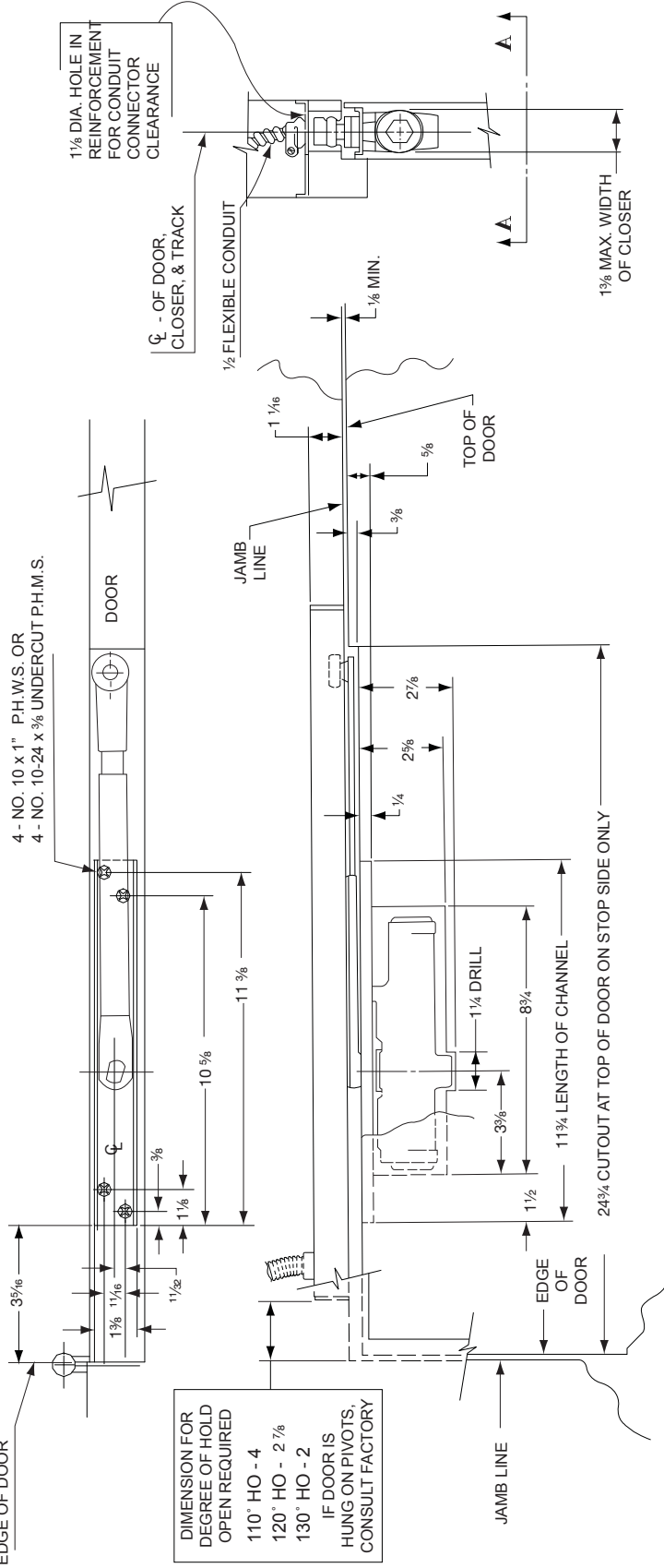
THIS TEMPLATE APPLIES TO

3133-SE | 85° to 110° HOLD OPEN
3134-SE

MINIMUM DOOR WIDTH 2' 6"
SEL MEANS EXTRA LONG
ARM AND TRACK



DOOR HOLDER SOLENOID
12 VAC - DC Nominal + 10% - 15% @ .180 Amp. Max.
24 VAC - DC Nominal + 10% - 15% @ .090 Amp. Max.
120 VAC - DC Nominal + 10% - 15% @ .030 Amp. Max.



DIMENSION FOR DEGREE OF HOLD OPEN REQUIRED
110° HO - 4
120° HO - 2 7/8
130° HO - 2
IF DOOR IS HUNG ON PIVOTS, CONSULT FACTORY

LEFT HAND DOOR AND CLOSER SHOWN
RIGHT HAND OPPOSITE

AUXILIARY STOP RECOMMENDED

- NOTES -**
- 1 - VOLTAGE SHOWN ON SENTRONIC LABEL MUST MATCH VOLTAGE SUPPLIED.
 - 2 - IF DOOR IS HUNG ON PIVOTS OR SWING CLEAR HINGES CONSULT FACTORY.
 - 3 - FLOOR OR WALL STOP MUST BE USED.
 - 4 - REINFORCING PER ANSII/SDI-100 RECOMMENDED FOR HOLLOW METAL DOOR & FRAMES.

NO.	REVISION	BY	DATE
7	Revised Template Reference 2/13/73 & Track Mounting Holes Relocated	DHW	6/19/90

DO NOT SCALE

LCN
3130 SE FULLY CONCEALED DOOR CLOSER/HOLDER WITH ELECTRONIC RELEASE
By 6/19/90 RJS
APR 6/19/90 CZ

DO NOT SCALE **3130 SEL**

LOCATE	Q OF TRACK IN	HEADER ON	Q OF CLOSER	VIEW A - A	DOOR & CLOSER OMITTED FOR CLARITY																							
INCH	1/4	1/4	1 1/2	1 1/8	1 1/4	1 1/2	1 1/2	2 1/8	3 1/8	3 1/2	3 7/8	4 1/2	5 1/8	6 1/4	7 1/4	8 1/2	9 3/4	10 3/4	11 3/4	11 3/4	12 3/4	22 3/4						
M.M.	3.2	6.4	8.7	9.5	12.7	15.9	17.4	19.1	25.4	27.0	28.6	29.4	31.8	34.9	38.1	66.7	73.0	84.1	85.7	88.9	98.4	200	222.3	269.9	288.9	298.4	609.6	577.9