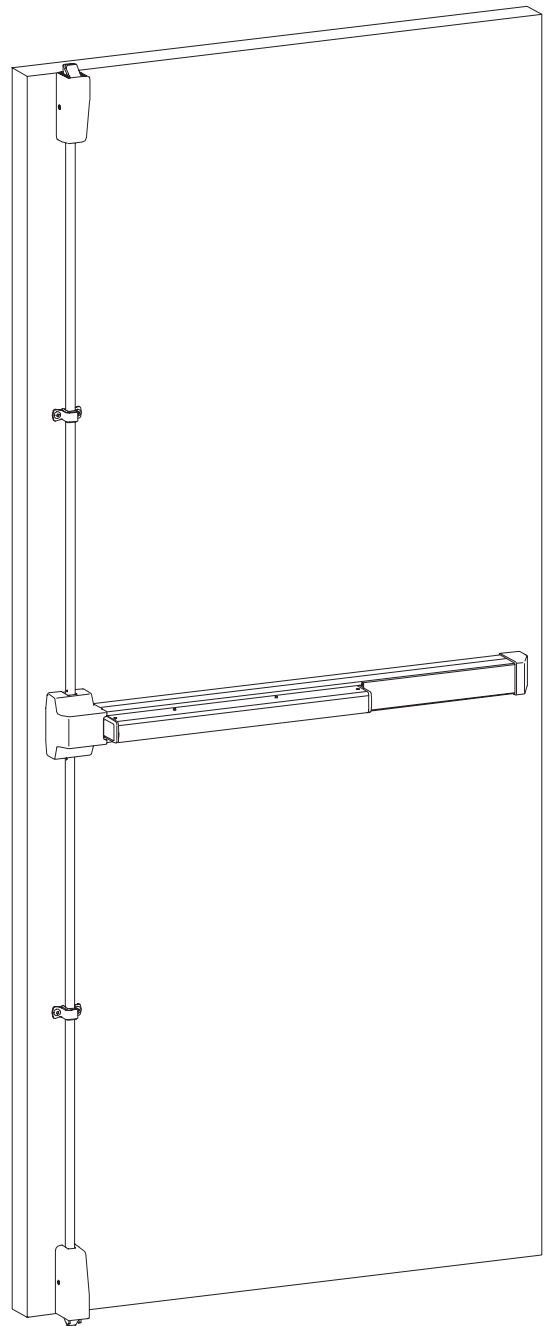


VON DUPRIN®

2227 Series Vertical Rod Exit Device

Service manual



INDEX

2227 Vertical Rod Devices	
Basic Panic Device	4-5
Basic Fire Device	6-7
Vertical Rods and Latch Cases	8-9
Baseplate Assemblies	10
Center Case Assembly	11
LBR Fire Latch Kit	12
Variations of the Basic Device	
RX (Request to Exit)	13
LX (Latch Bolt Monitoring)	13
ALK Exit Alarm Kit	14
General Information	
Introduction	2
How to Order	2
Part Number Changes	2
Finishes	3
Outside Trim Functions	3
Strikes	3

INTRODUCTION

This manual contains a listing of replaceable parts and assemblies for the 2227 and 2227-F Exit Hardware Devices.

HOW TO ORDER

Some parts are sold separately. Other items are available as part of a kit or multiple quantity package. For the best possible service when ordering replacement parts or assemblies, please provide the following information:

- Part number or assembly number
- Description
- Quantity needed
- Finish desired (if available finished)
- Date of original purchase (if known)

To find out the name of your local Von Duprin distributor or sales representative, contact:

Von Duprin Division
Allegion
2720 Tobey Drive
Indianapolis, IN 46219
Phone: (877) 671-7011

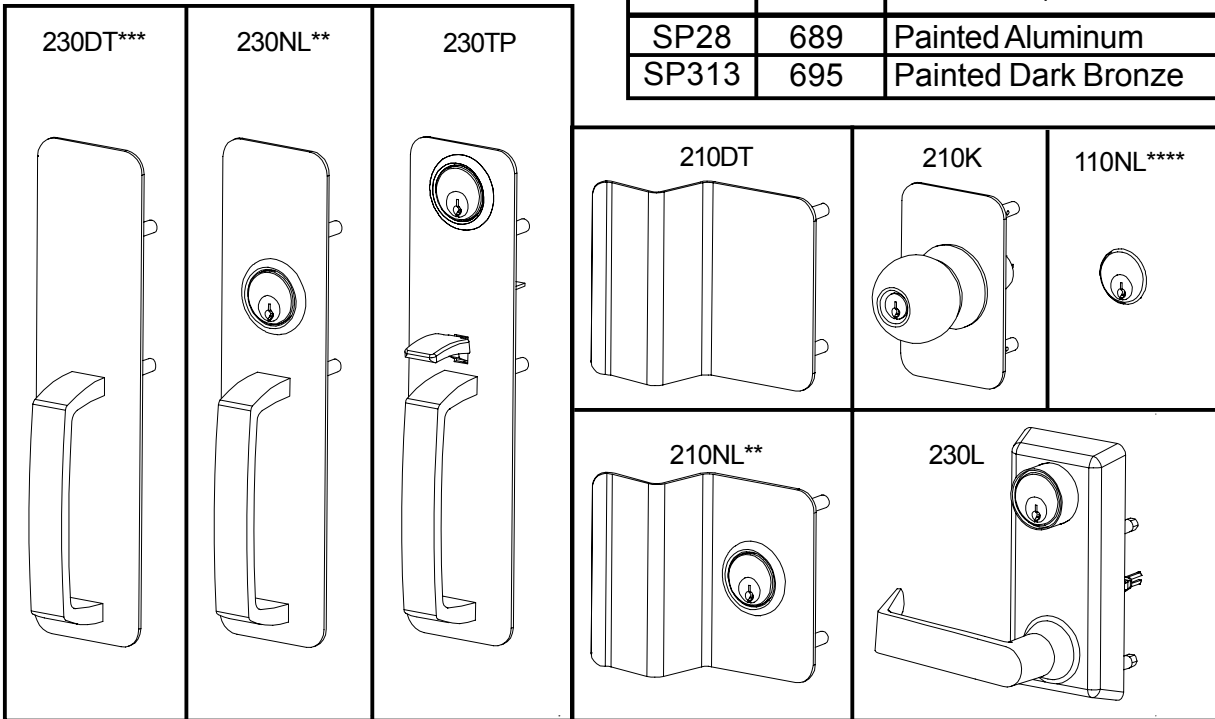
PART NUMBER AND AVAILABILITY CHANGES

This manual was designed to help illustrate the replacement parts and kits that are available for sale. Because of changes to the product and/or manufacturing process, part numbers and availability can change over time.

22 SERIES FINISHES

OUTSIDE TRIM FUNCTIONS

U.S. Std Reference	BHMA Reference	Description
SP28	689	Painted Aluminum
SP313	695	Painted Dark Bronze



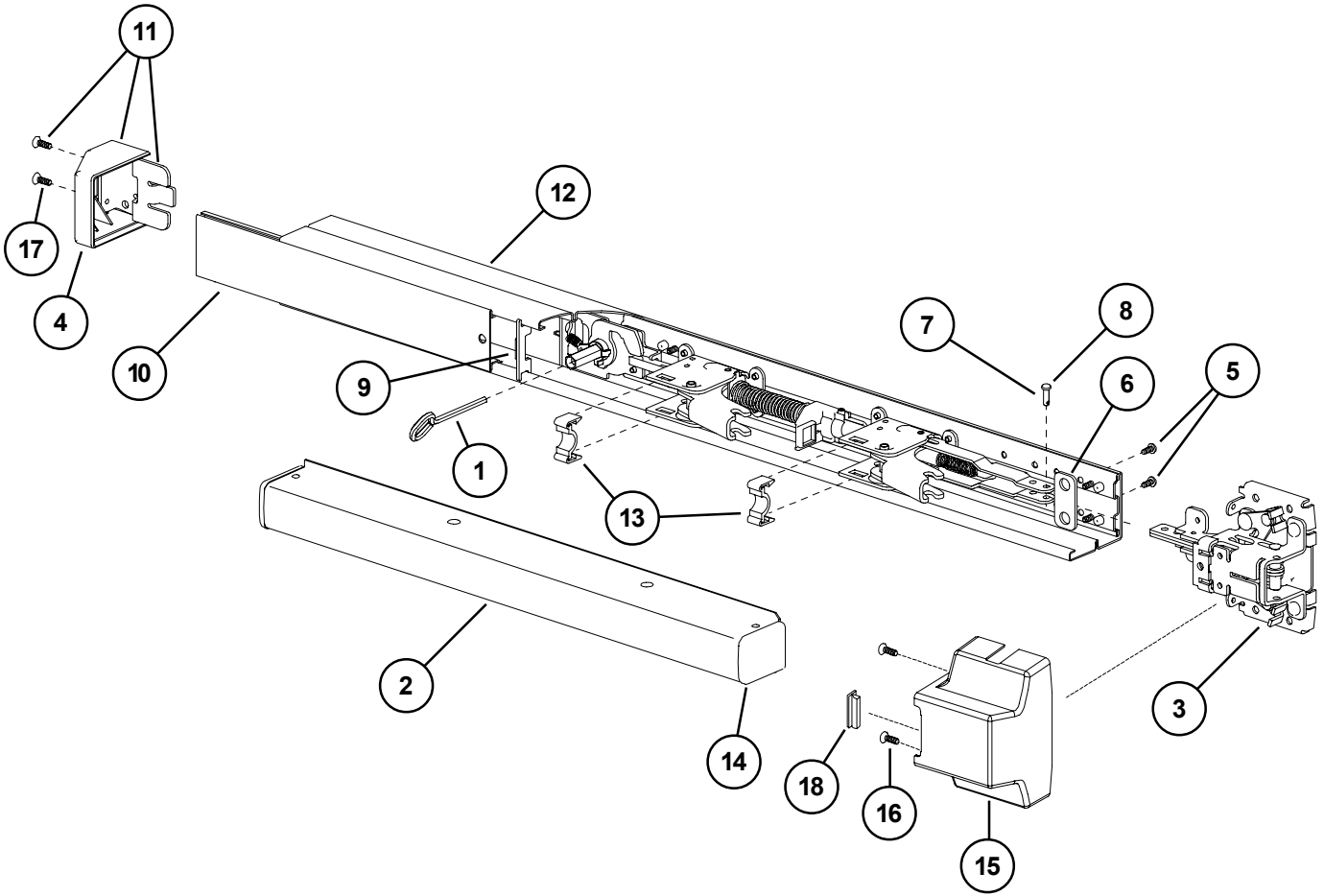
- * "BE" (Blank Escutcheon) no cylinder used - lever always active
- ** "NL" (Night Latch) rigid lever - key retracts latch bolt
- *** "DT" (Dummy Trim) rigid lever for pull operation
- **** Optional Pull needs to be added

STRIKES

- ① Metal Door Screw Package PKGSRV.1023 (Pkg of 10)
- ① Wood Door Screw 964291 (Qty of 1)

<p>Adjusting Shim 970321 Strike Plate 970323</p> <p>299 (Top) Strike - Standard Single or Double Door Panic Exit Hardware</p>	<p>Adjusting Shim 945521</p> <p>299F (Top) Strike - Single or Double Door Fire Exit Hardware</p>	<p>304L (Bottom) Strike Panic or Fire Exit Hardware</p>	<p>Screw Pkg 900263</p> <p>248L-4 (Bottom) Strike Panic Exit Hardware</p>
<p>Screw Pkg 900252</p> <p>260U (Top) Strike - Panic or Fire Exit Hardware</p>	<p>385A (Bottom) Strike Panic or Fire Exit Hardware</p>	<p>Adjusting Shim 945521</p> <p>264 (Top) Strike - Single Door Panic Exit Hardware</p>	<p>Adjusting Shim 945521 Strike Hook 969300</p> <p>499F (Top) Strike - Supplied with LBR Fire Latch/Strike Kit</p>

2227 VERTICAL ROD PANIC DEVICE



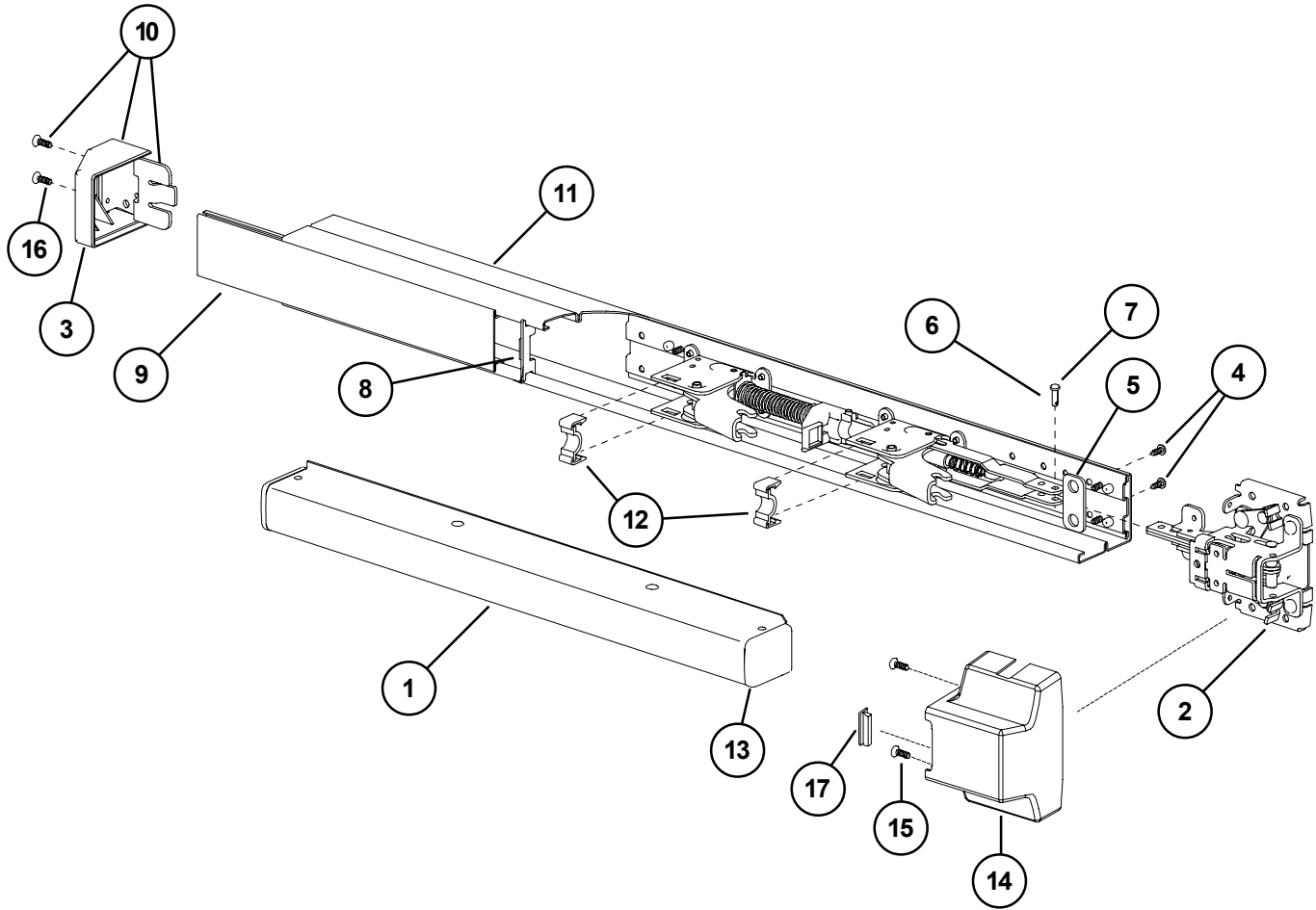
2227 VERTICAL ROD PANIC DEVICE

Item No.	Quantity	Part No.	Description	Finish
	1	900563	2227 Series Mounting Pkg 1-3/4 Door	
	1	900568	2227 Series Mounting Pkg 2-1/4 Door	
1	1	090085	227 Dog Key 5/32" Hex (Pkg of 10)	
1	1	090005	227 Dog Key 5/32" Hex (Pkg of 2)	
2	1	*PBKIT	22 Series Push Bar Retrofit Kit - 3' Door	X
2	1	*PBKIT	22 Series Push Bar Retrofit Kit - 4' Door	X
3	1	109358	2227/27-F Center Case Less Cover	
4	1	968601	22 Mechanism Case End Cap	
5	2	090037	Baseplate Screw (Pkg of 10)	
6	2	47289674	22 Center Case Spacer	
7	1	050529	Control Link Pin	
8	1	090031	Control Link Pin (Pkg of 10)	
9	1	968592	Cover Plate Bearing Insert	
10	1	968595	22/2227 Cover Plate - 3' Dr	X
10	1	968596	22/2227 Cover Plate - 4' Dr	X
11	1	900981	22 End Cap Kit	
12	1	970035	22 Mechanism Case - 3' Dr	X
12	1	970036	22 Mechanism Case - 4' Dr	X
13	2	966268	Touch Bar Cover Bearing Insert	
14	1	968598	22 Push Bar End Cap	
15	1	968888	2227/27-F Center Case Cover	X
16	2	090077	22 Series Center Case Cover Screw Pkg/4	
17	2	964520	22 End Cap Screw	
18	1	966268	Touch Bar Cover Bearing Insert	

X in "Finish" column designates finished items; finish must be specified when ordering.

* To order, specify device type, size, and finish. Example: PBKIT 22 3' SP28

2227-F VERTICAL ROD FIRE DEVICE



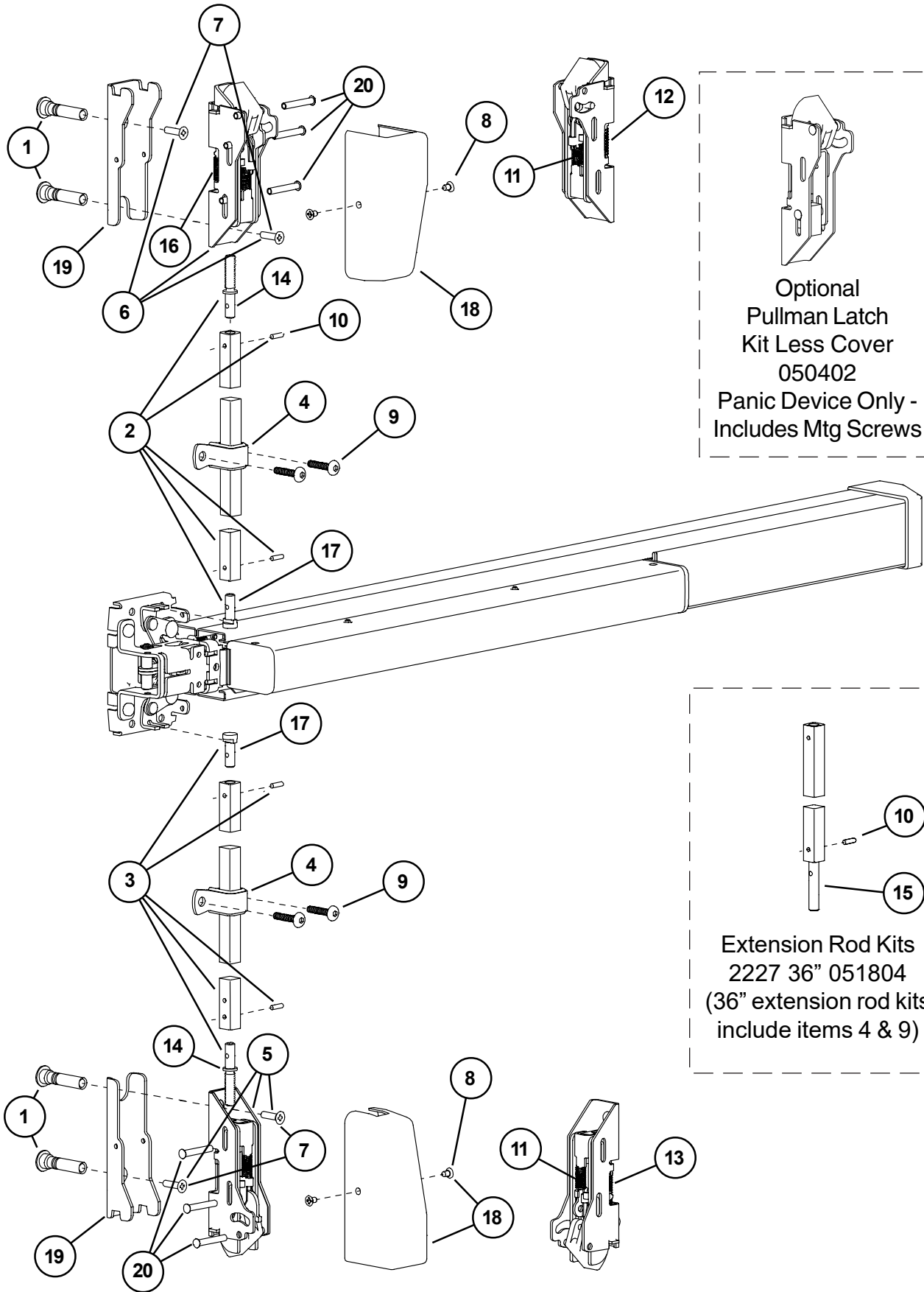
2227-F VERTICAL ROD FIRE DEVICE

Item No.	Quantity	Part No.	Description	Finish
	1	900563	2227 Series Mounting Pkg 1-3/4 Door	
	1	900568	2227 Series Mounting Pkg 2-1/4 Door	
1	1	*PBKIT	22 Series Push Bar Retrofit Kit - 3' Door	X
1	1	*PBKIT	22 Series Push Bar Retrofit Kit - 4' Door	X
2	1	109358	2227/27-F Center Case Less Cover	
3	1	968601	22 Mechanism Case End Cap	
4	2	090037	Baseplate Screw (Pkg of 10)	
5	2	47289674	22 Center Case Spacer	
6	1	050529	Control Link Pin	
7	1	090031	Control Link Pin (Pkg of 10)	
8	1	968592	Cover Plate Bearing Insert	
9	1	969127	22/2227-F Cover Plate - 3' Dr	X
9	1	969126	22/2227-F Cover Plate - 4' Dr	X
10	1	900981	22 End Cap Kit	
11	1	970035	22 Mechanism Case - 3' Dr	X
11	1	970036	22 Mechanism Case - 4' Dr	X
12	2	966268	Touch Bar Cover Bearing Insert	
13	1	968598	22 Push Bar End Cap	
14	1	968888	2227/27-F Center Case Cover	X
15	2	090077	22 Series Center Case Cover Screw Pkg/4	
16	2	964520	22 End Cap Screw	
17	1	966268	Touch Bar Cover Bearing Insert	

X in "Finish" column designates finished items; finish must be specified when ordering.

* To order, specify device type, size, and finish. Example: PBKIT 22 3' SP28

2227 VERTICAL RODS AND LATCHES



2227 VERTICAL RODS AND LATCHES

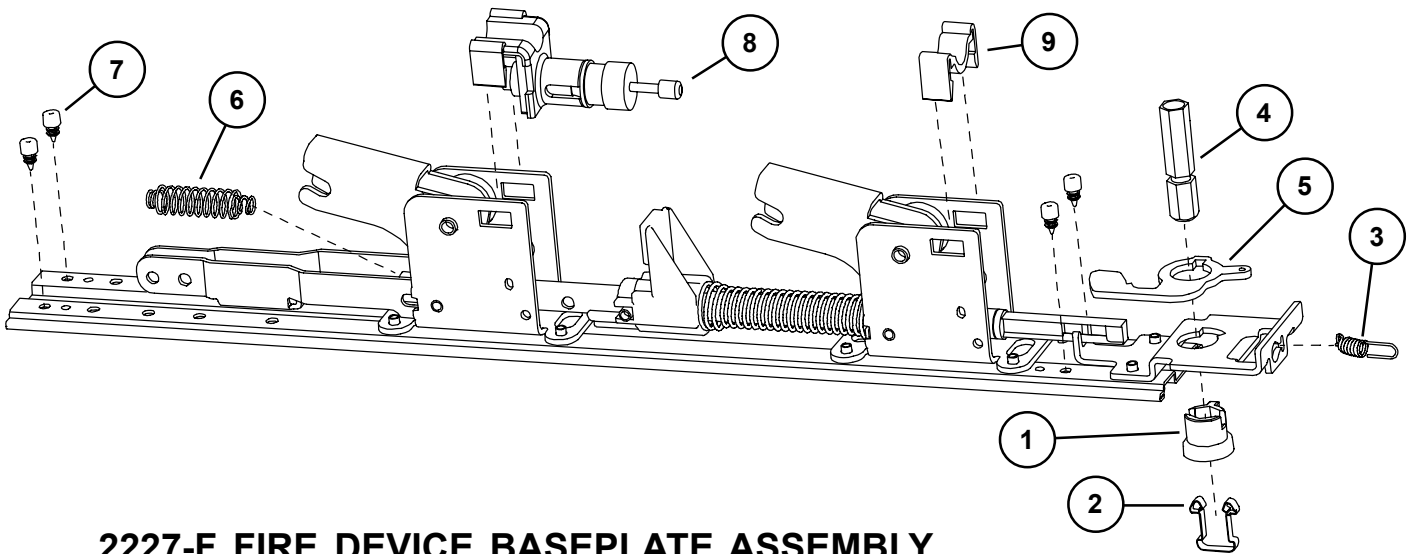
Item No.	Quantity	Part No.	Description	Finish
1	2	034902	325 Sex Bolt Package (Pkg of 2)	X
2	1	109361	2227 Top Vertical Rod	X
3	1	109362	2227 Bottom Vertical Rod	X
4	2	112063	2227 Rod Guide Pkg	X
5	1	050401	2227 Bottom Latch Kit Less Cover	
6	1	050400	2227 Top Latch Kit Less Cover	
7	1	900589	Latch Mounting Package (Pkg of 4)	
8	2	900850	Latch Case Cover Screw (Pkg of 2)	X
9	2	900919	2227 Rod Guide Mounting Package	X
10	4	090054	Rod Roll Pin (Pkg of 10)	
11	2	090065	Bolt Return Spring (Pkg of 10)	
12	1	090056	Top Latch Compression Spring (Pkg of 10)	
12	1	090057	PL Top Latch Spring (Pkg of 10)	
13	1	090058	Bottom Latch Case Spring (Pkg of 10)	
14	2	090067	Rod Connector - Latch (Pkg of 2)	
15	1	090075	2227 Rod Extension Connector Pkg/4	
16	1	090076	Aux. Bolt Spring (Pkg of 10)	
17	2	090068	Rod Connector - Center Case (Pkg of 2)	
18	2	050566	Latch Case Cover Kit w/Screws	X
19	2	050546	Latch Case Mtg. Bracket Kit	
20	6	090055	Housing Guide Pin (Pkg of 10)	
*	1	050090	2227 Bottom Latch Retrofit Kit	X
*	1	050091	2227 Top Latch Retrofit Kit	X

* For devices shipped before October 1998.

X in "Finish" column designates finished items; finish must be specified when ordering.

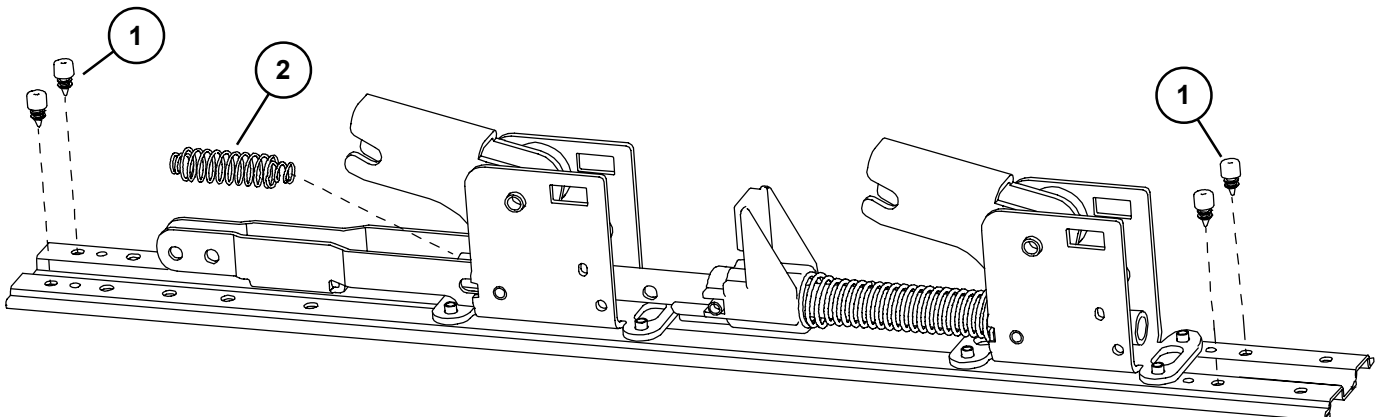
2227 PANIC DEVICE BASEPLATE ASSEMBLY

Item No.	Quantity	Part No.	Description	Finish
1	1	090043	Dogging adapter (Pkg of 2)	
2	1	090042	Dogging adapter spring (Pkg of 2)	
3	1	090041	Dogging spring (Pkg of 2)	
4	1	090040	Hex dogging shaft (Pkg of 2)	
5	1	090044	Dogging hook (Pkg of 2)	
6	1	090039	Latch return spring (Pkg of 10)	
7	4	090038	Rubber bumper (Pkg of 4)	
8	1	050491	Shock absorber	
9	1	090048	Baseplate Bearing Strip (Pkg of 2)	



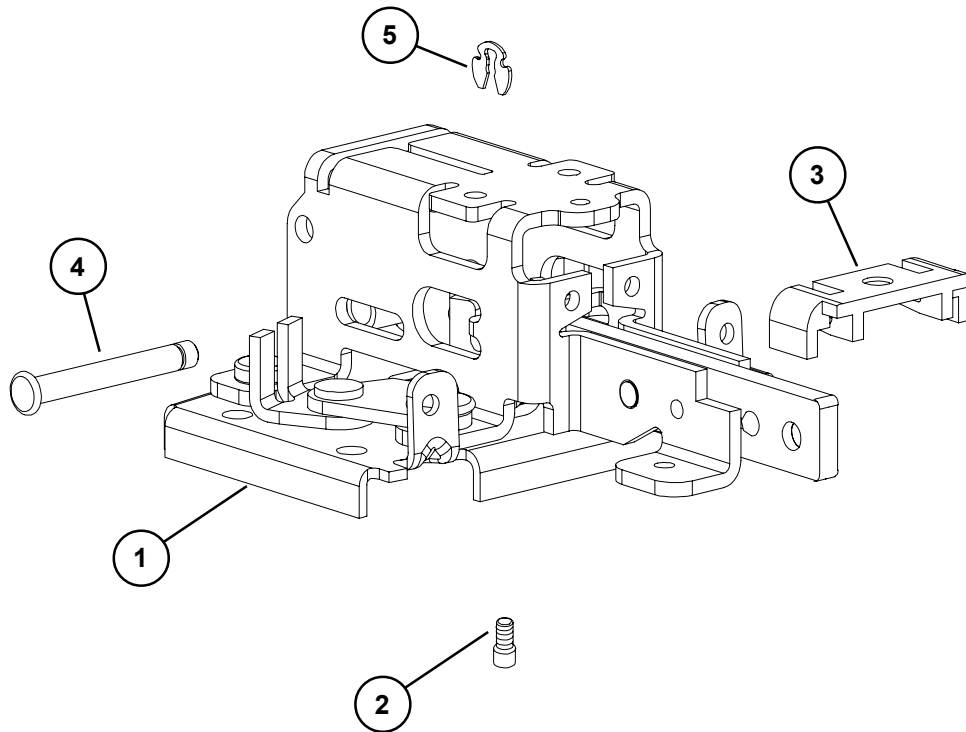
2227-F FIRE DEVICE BASEPLATE ASSEMBLY

Item No.	Quantity	Part No.	Description	Finish
1	4	090038	Rubber bumper (Pkg of 4)	
2	1	090039	Baseplate Return Spring Pkg/10	



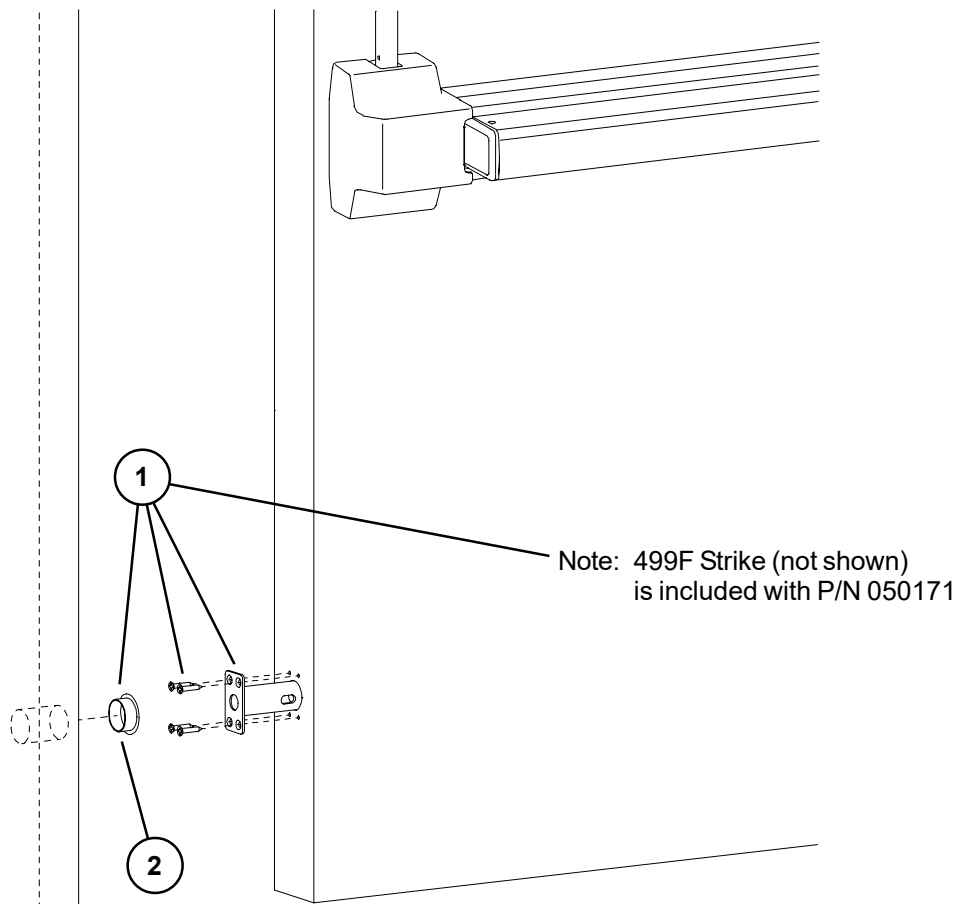
2227 PANIC & 2227-F FIRE DEVICE CENTER CASE ASSEMBLY

Item No.	Quantity	Part No.	Description	Finish
1	1	109358	2227/27-F Center Case Less Cover	
2	1	090074	NL Drive Screw (Pkg of 10)	
3	1	971592	22/2227 Pushbar Stop	
4	1	090079	2227 Latchbolt Pin Pkg/10	
5	1	090107	Control Link Pin Ret. Ring Pkg/10	



2227-F LBR (LESS BOTTOM ROD) FIRE LATCH KIT

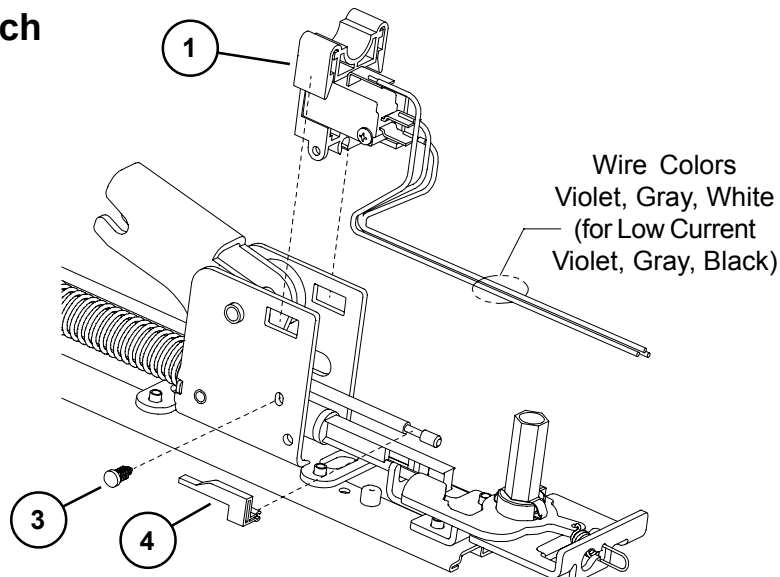
Item No.	Quantity	Part No.	Description	Finish
1	1	050171	LBR Fire Latch/Strike kit	
2	1	050509	LBR Fire Strike Plug	



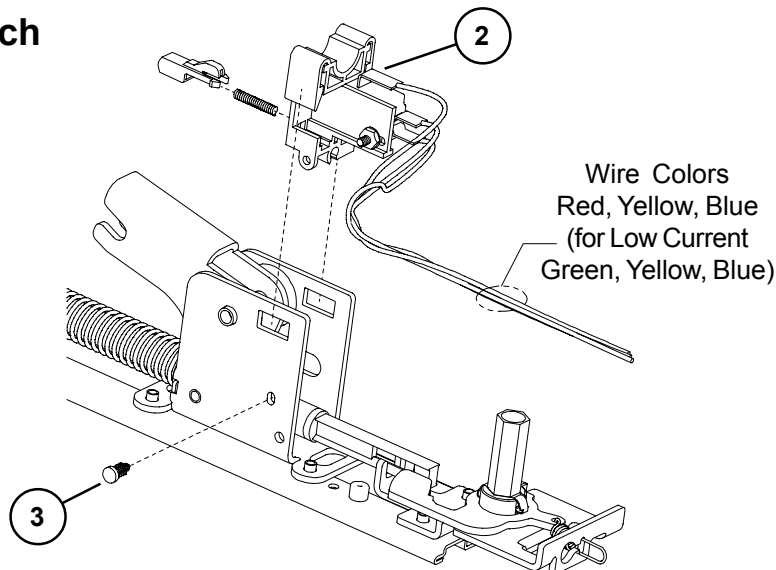
2227 SERIES LX (LATCH BOLT MONITOR) & RX (REQUEST TO EXIT) OPTIONS

Item No.	Quantity	Part No.	Description	Finish
1	1	050254	LX Switch Kit 3' Device	
1	1	050255	LX Switch Kit 4' Device	
1	1	050283	LX-LC (Low Current) Switch Kit 3' Device	
1	1	050285	LX-LC (Low Current) Switch Kit 4' Device	
2	1	050251	RX Switch Kit	
2	1	050281	RX-LC (Low Current) Switch Kit	
3	1	090099	Pine Tree Clip (Pkg of 10)	
4	1	971091	LX Actuator	

LX Switch



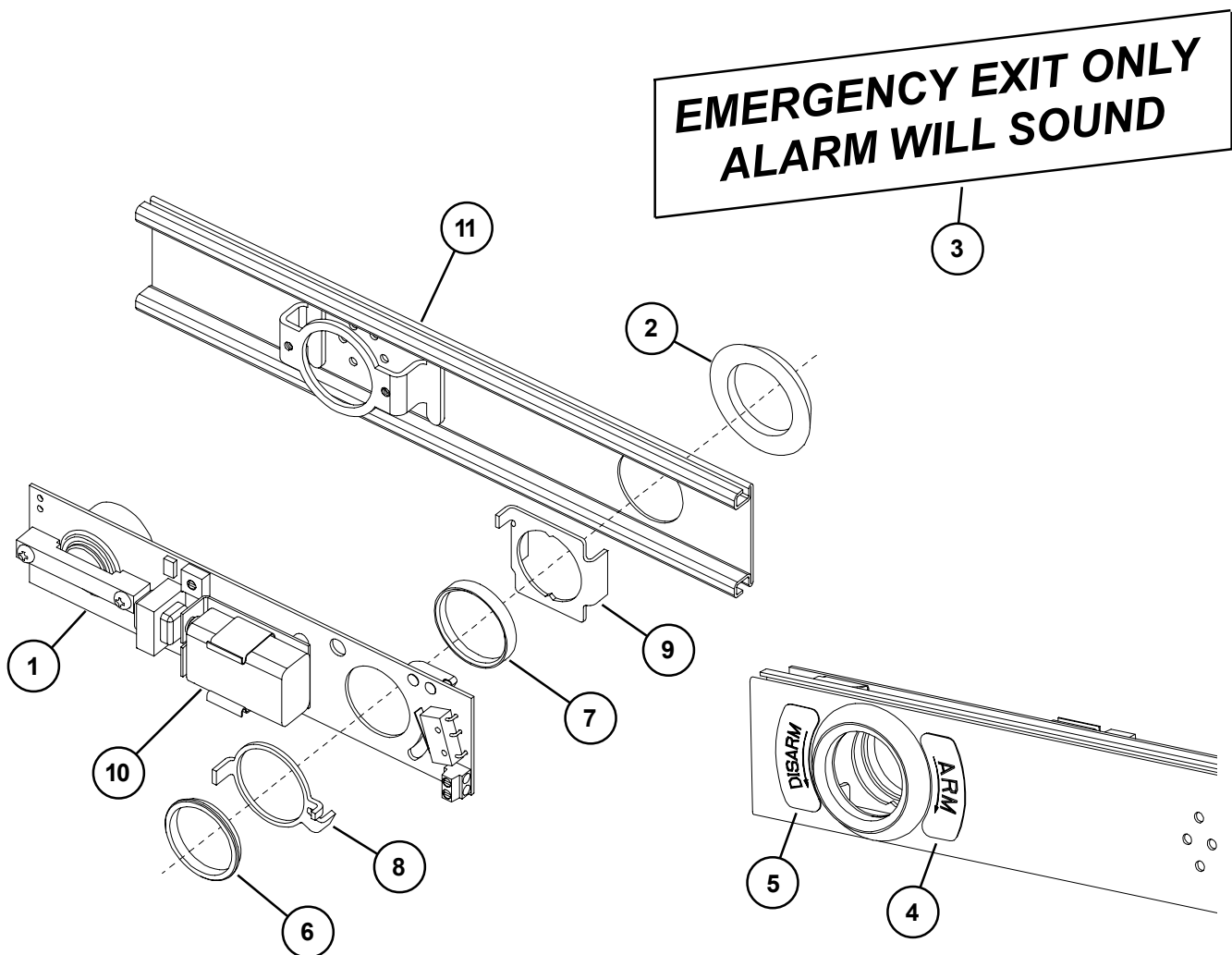
RX Switch



2227 ALK EXIT ALARM KIT

Item No.	Quantity	Part No.	Description	Finish
1	1	111795	ALK PCB Assembly	
2	1	967704	Cylinder Collar	X
3	1	969122	ALK Alarm Device Sign	
4	1	969349	ALK Arming Label	
5	1	969350	ALK Disarming Label	
6	1	969354	Retainer Nut	
7	1	970594	ALK Cylinder Spacer	
8	1	971556	ALK Switch Actuator	
9	1	971557	ALK Cylinder Bracket	
10	1	990637	ALK Battery	
11	1	971470	22 ALK Cover Plate - 3' Dr	X
11	1	971471	22 ALK Cover Plate - 4' Dr	X

X in "Finish" column designates finished items; finish must be specified when ordering.



About Allegion

Allegion (NYSE: ALLE) creates peace of mind by pioneering safety and security. As a \$2 billion provider of security solutions for homes and businesses, Allegion employs more than 7,800 people and sells products in more than 120 countries across the world. Allegion comprises 23 global brands, including strategic brands CISA®, Interflex®, LCN®, Schlage® and Von Duprin®.

For more, visit www.allegion.com.

aptiQ ■ LCN ■ **SCHLAGE** ■ STEELCRAFT ■ VON DUPRIN