

NOTES:

1. SEE STRIKE APPLICATIONS FOR BACKSET ON SHEET 2.
2. THE DIMENSION FROM THE FACE OF STOP TO CENTERLINE OF HOUSING IS 3/4" MIN. FOR MEDIUM & WIDE STILE DOORS, HOUSING MAY BE CENTERED ON STILE.
3. REINFORCEMENT IN FRAME FOR STRIKE IS 3/16" MIN. REINFORCEMENT IN STILE FOR PANIC DEVICE IS 1/8" MIN.

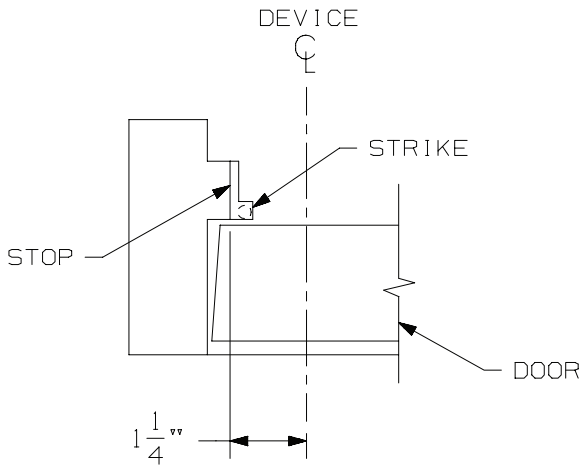
**1090 & 2090 RIM DEVICE
FOR HOLLOW METAL DOORS**

FALCON®

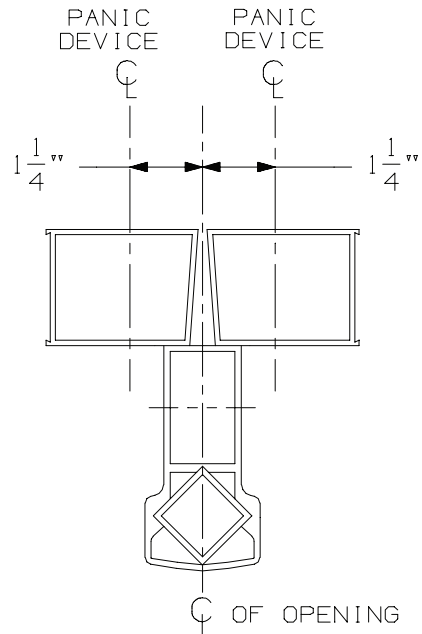
NOTE:

TEMPLATE NUMBER: **4270200004_b**

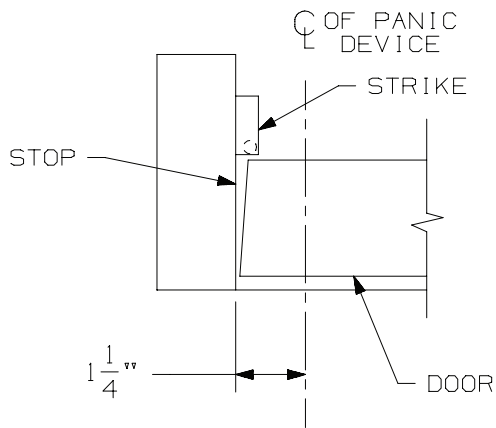
DATE: 12-24-14



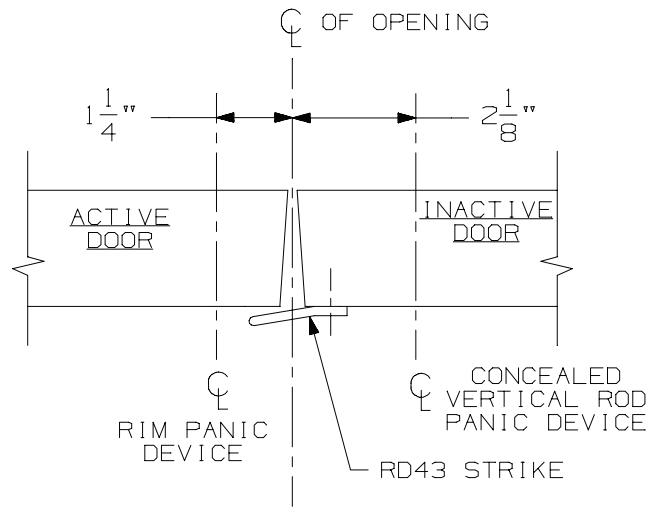
SINGLE DOOR
SD35 OR SD36
SURFACE APPLIED STRIKE



DOUBLE DOORS
W/RM70 MULLION



SINGLE DOOR
SD35 OR SD36
MORTISED STRIKE



DOUBLE DOORS
W/ RD43 STRIKE

1090 & 2090 RIM DEVICE
FOR HOLLOW METAL DOORS

FALCON[®]

NOTE:

TEMPLATE NUMBER: 4270200004_b

DATE: 12-24-14