

NOTES:

1. SEE STRIKE APPLICATIONS FOR BACKSET ON SHEET 2.
2. THE DIMENSION FROM THE FACE OF STOP TO CENTERLINE OF HOUSING IS 3/4" MIN. FOR MEDIUM & WIDE STILE DOORS, HOUSING MAY BE CENTERED ON STILE.

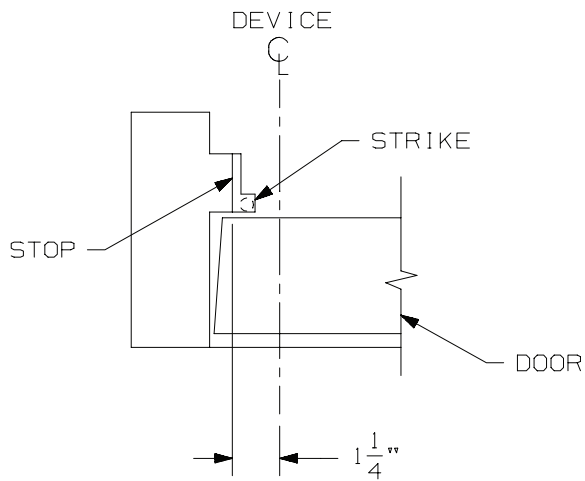
1090 & 2090 RIM DEVICE
FOR WOOD DOORS

FALCON[®]

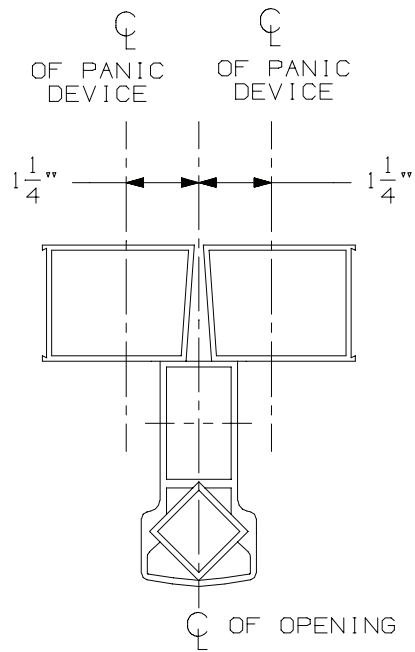
NOTE:

TEMPLATE NUMBER: 4270200005_b

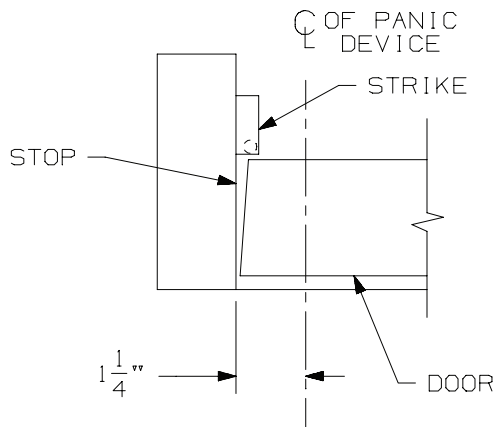
DATE: 12-24-14



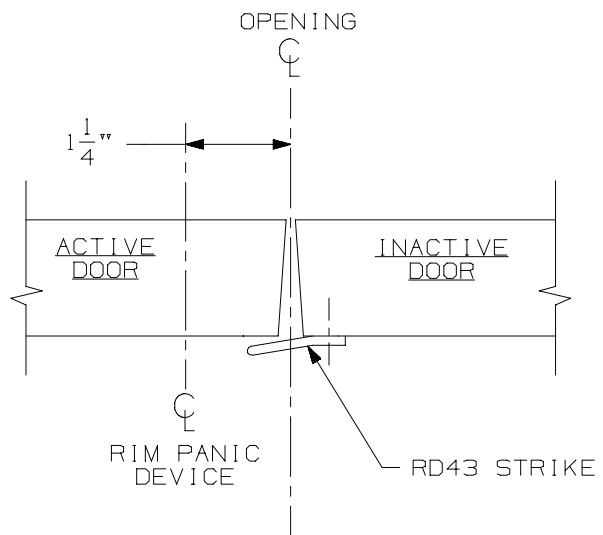
SINGLE DOOR
SD35 OR SD36
SURFACE APPLIED STRIKE



DOUBLE DOORS
W/RM70 MULLION



SINGLE DOOR
SD35 OR SD36
MORTISED STRIKE



DOUBLE DOORS
W/RD43 STRIKE

1090 & 2090 RIM DEVICE
FOR WOOD DOORS

FALCON[®]

NOTE:

TEMPLATE NUMBER: 4270200005_b

DATE: 12-24-14