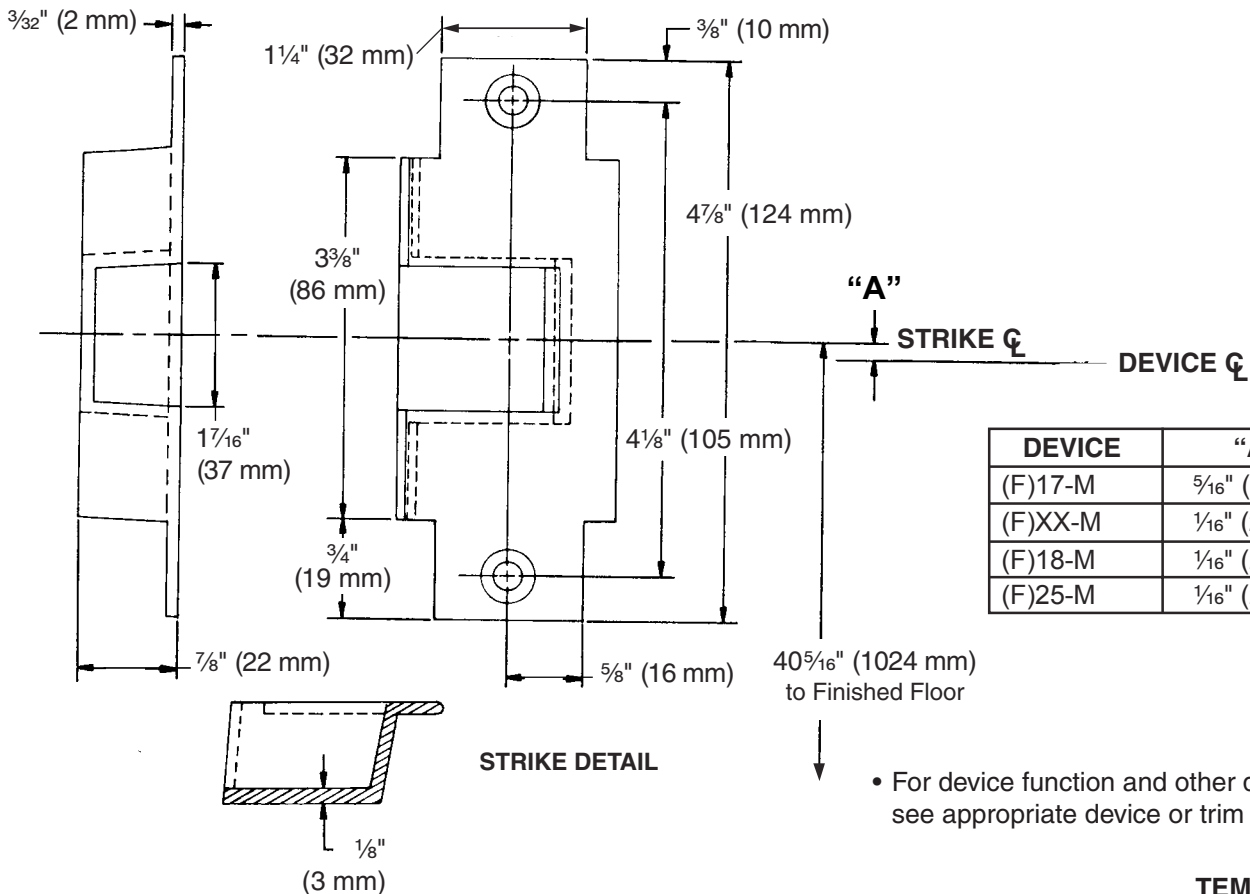
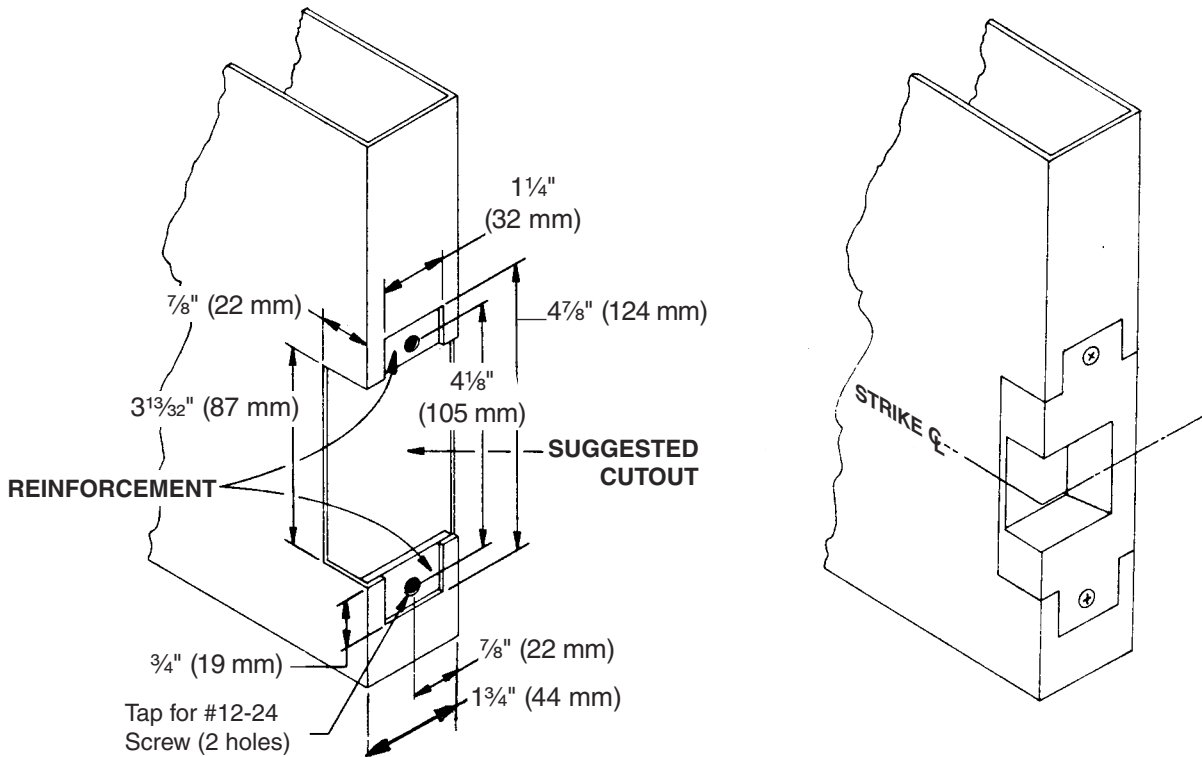


1280 Strike

Metal Door, RHR Strike (for use with LHR Exit Device) Shown, LHR Strike Opposite



DEVICE	"A"
(F)17-M	5/16" (8 mm)
(F)XX-M	1/16" (2 mm)
(F)18-M	1/16" (2 mm)
(F)25-M	1/16" (2 mm)

• For device function and other dimensions, see appropriate device or trim templates.

TEMPLATE
T-3016-c