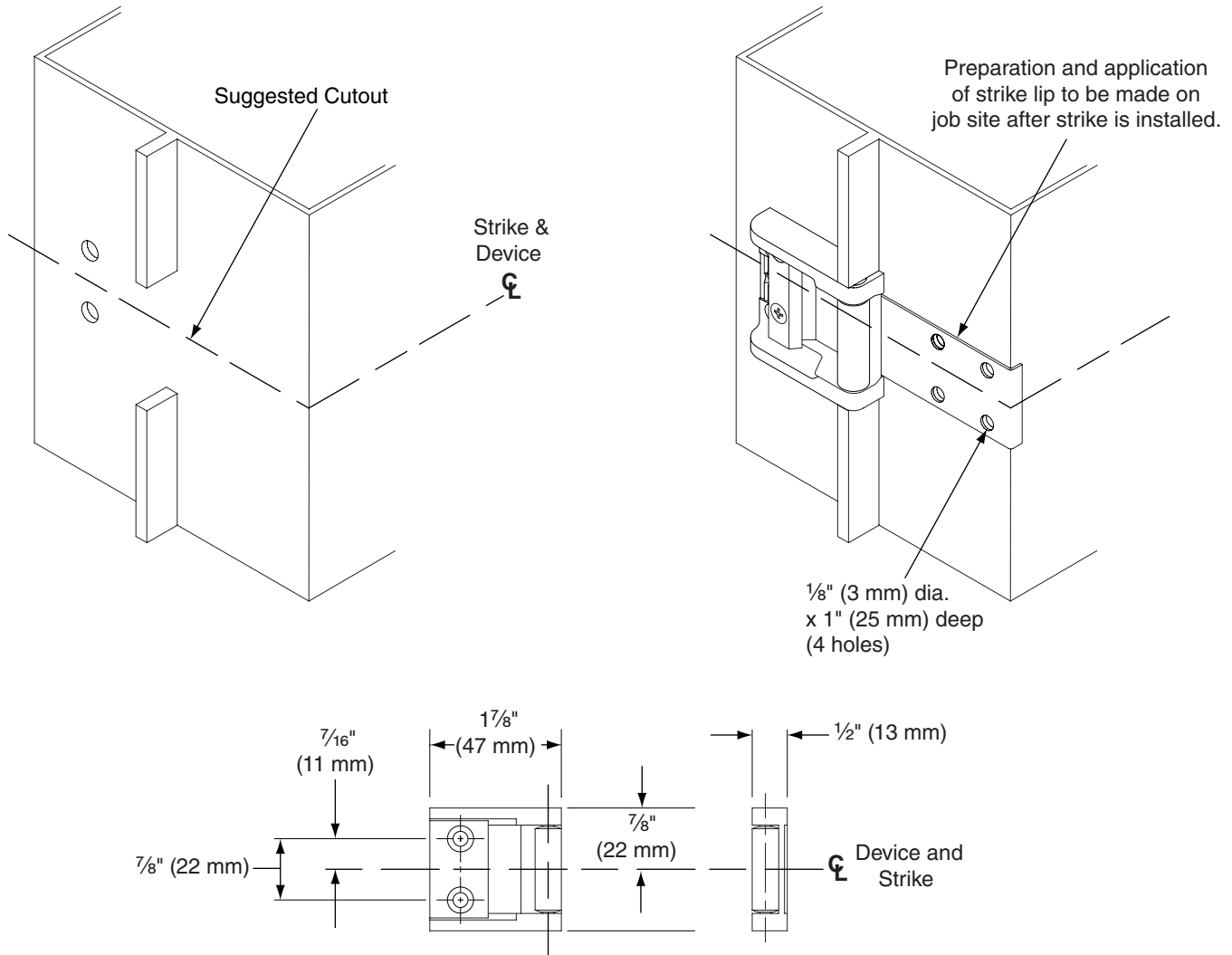


1439 Strike

Wood Door, LHR shown, RHR opposite



- For backset, refer to device template.
- For device function and other dimensions, refer to appropriate device or trim templates.
- Note: reinforcement required for metal frames.

TEMPLATE
W-3204-a