

LHR SHOWN
RHR OPPOSITE

NOTES:

1. REINFORCING IN DOOR FOR THE PANIC DEVICE TO BE 1/8" MIN. ALL REINFORCING BY OTHERS.

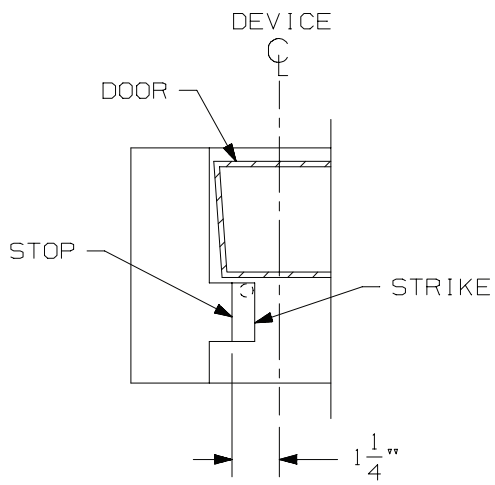
1590 RIM DEVICE
FOR HOLLOW METAL DOOR

FALCON[®]

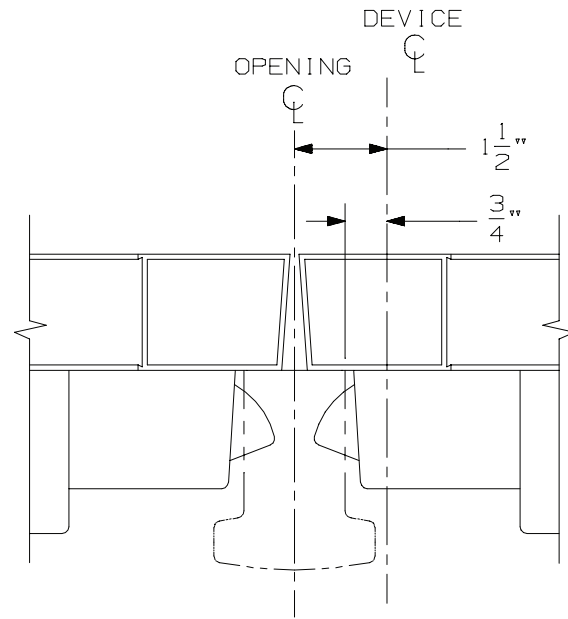
NOTE:

TEMPLATE NUMBER: 4270200012_b

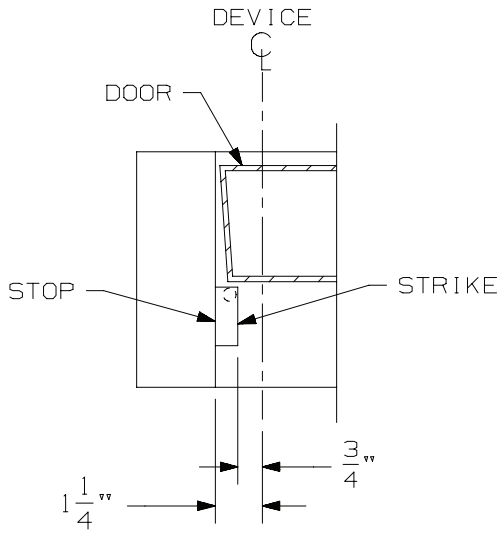
DATE: 01-12-15



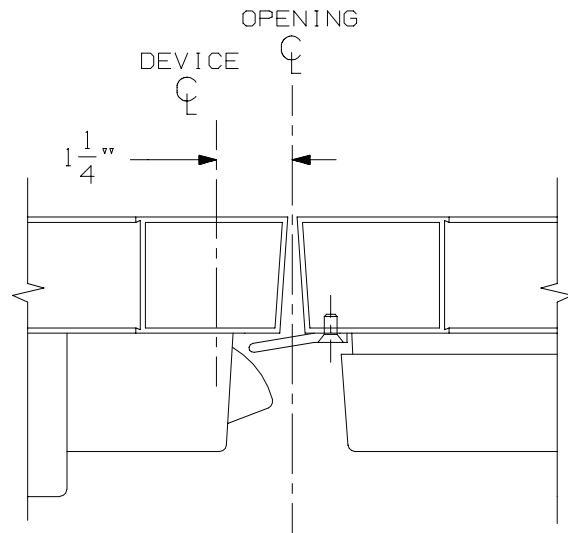
SINGLE DOOR
SD35 OR SD36
SURFACE APPLIED STRIKE



DOUBLE DOORS
W/RM150 MULLION



SINGLE DOOR
SD35 OR SD36
MORTISED STRIKE



DOUBLE DOORS
W/RD44 STRIKE

1590 RIM DEVICE
FOR HOLLOW METAL DOOR

FALCON[®]

NOTE:

TEMPLATE
NUMBER:

4270200012_b

DATE:
01-12-15