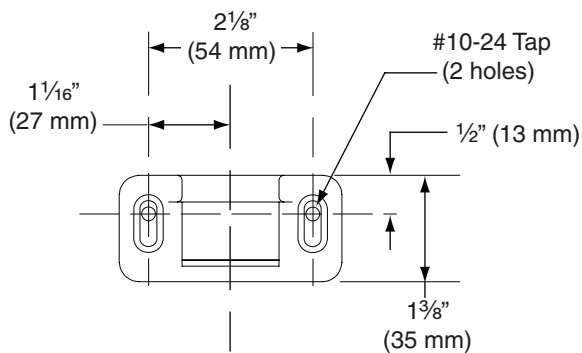
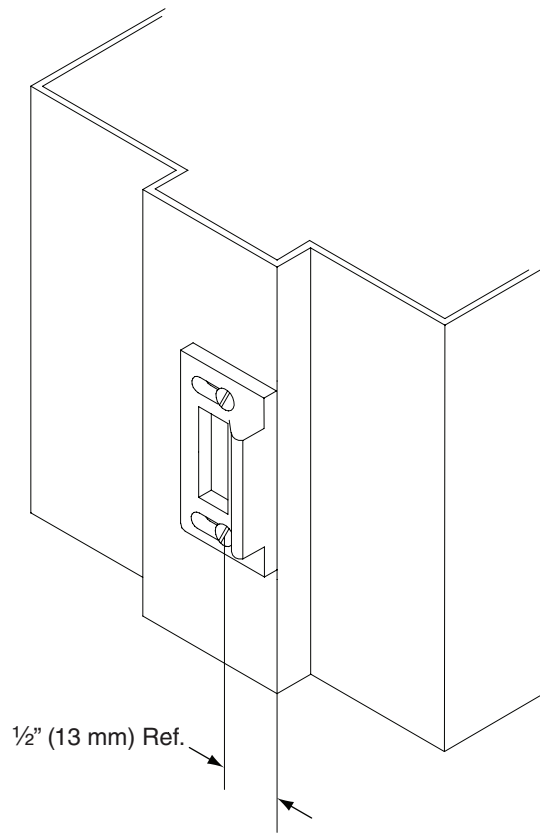
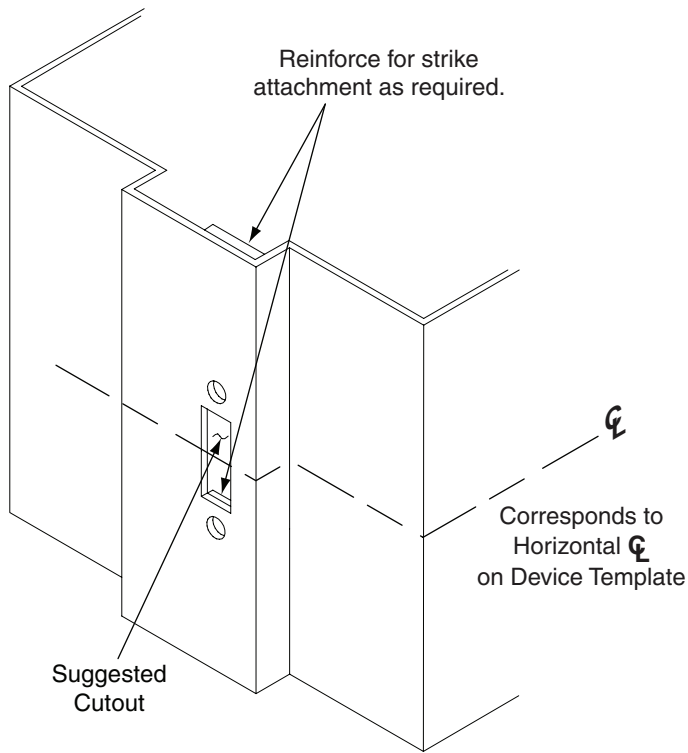
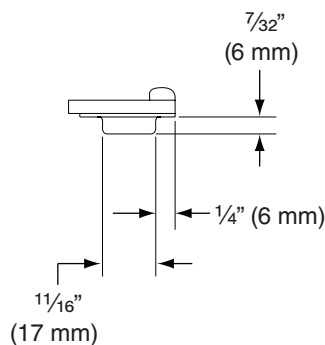
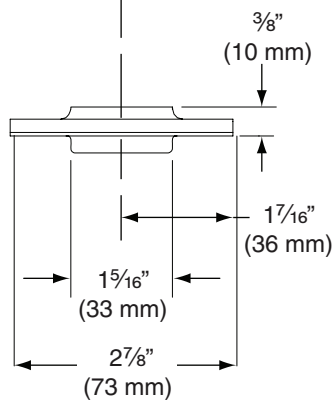


# 1606 Strike

Metal Door, LHR shown, RHR opposite



$\phi$  Device



- For backset, refer to device template.
- For device function and other dimensions, refer to appropriate device or trim templates.
- Note: reinforcement required for metal frames.

TEMPLATE  
**T-3205-a**