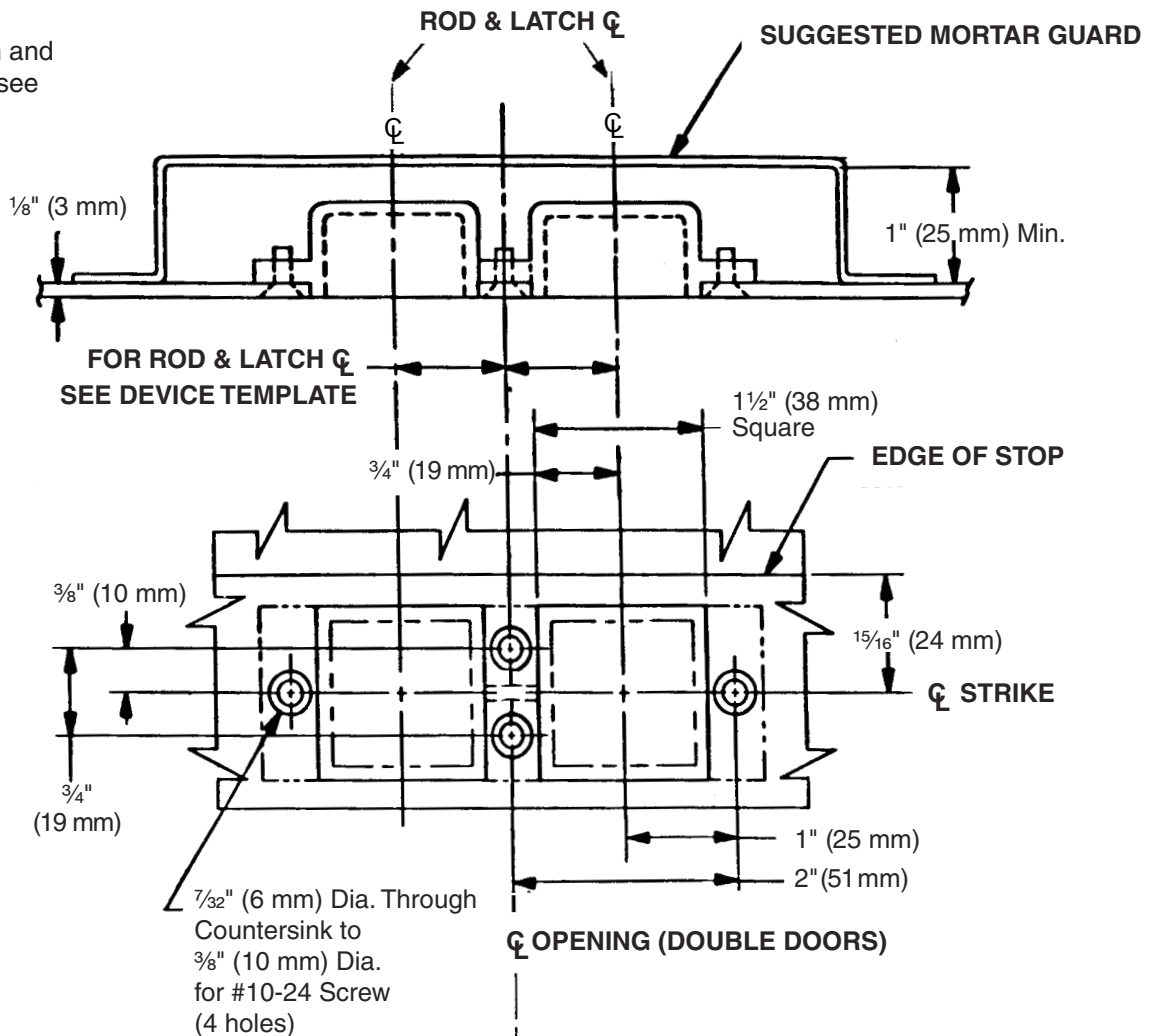


4188 N.S. Strike

Metal Door, Narrow Stile Application, LHR Shown, RHR Opposite

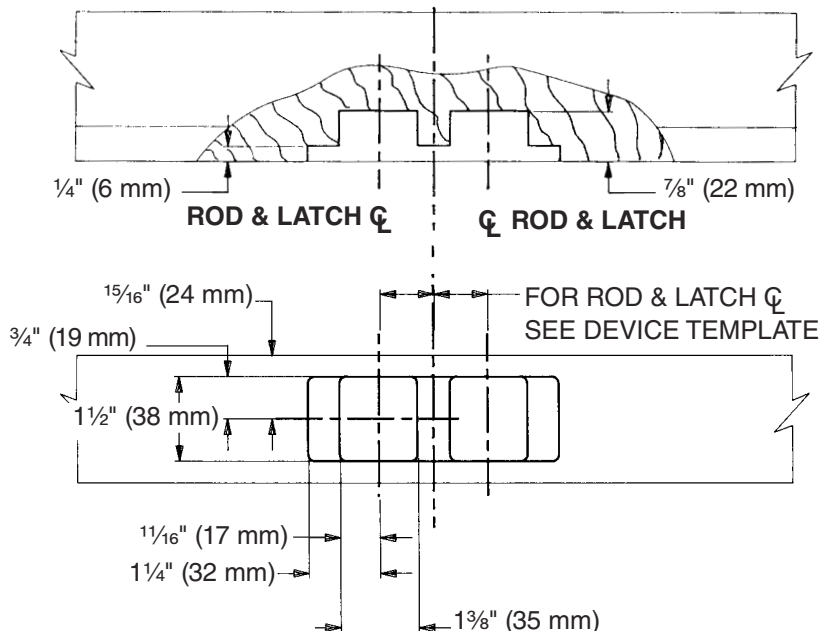
Metal Frame

- For device function and other dimensions, see appropriate device or trim templates.



Wood Frame

- For device function and other dimensions, see appropriate device or trim templates.
- Strike must be clearanced and countersunk for #10 screw head.



TEMPLATE
T-3035-a