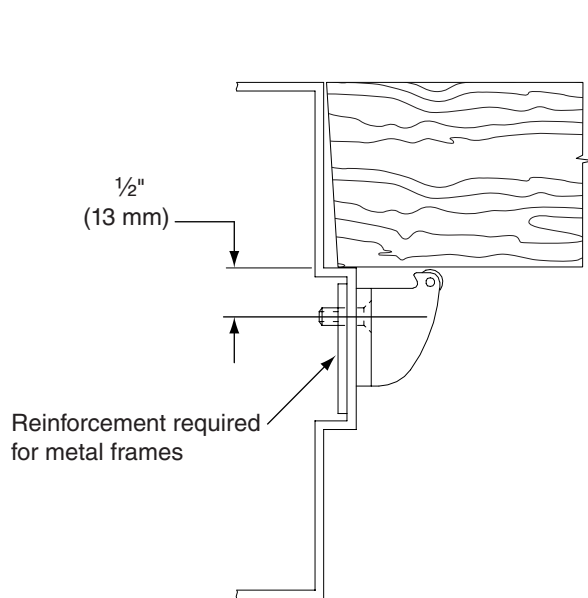


499F Strike

Wood Door, LHR shown, RHR opposite

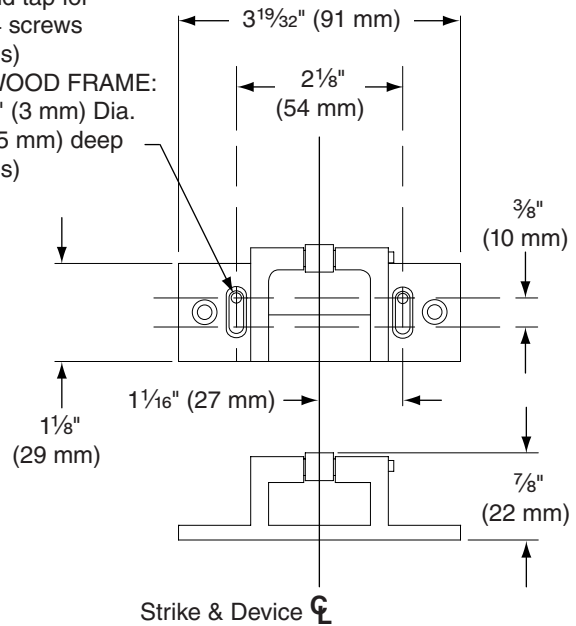


FOR METAL FRAME:

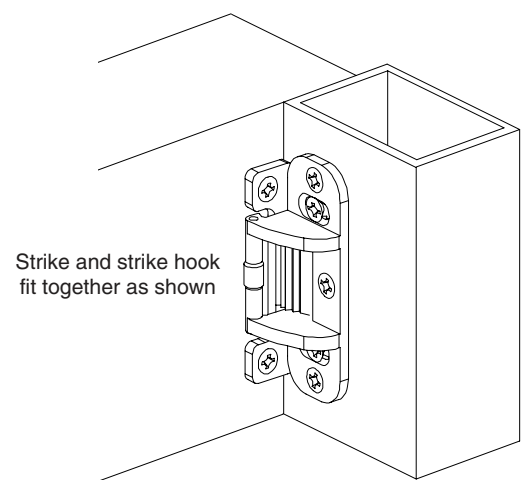
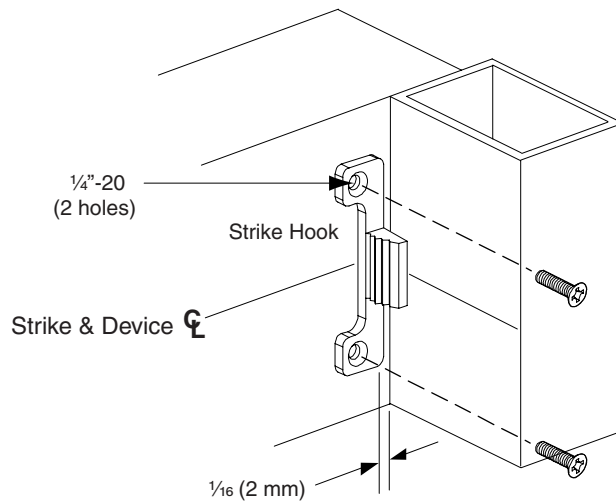
Drill and tap for
#10-24 screws
(2 holes)

FOR WOOD FRAME:

Drill 1/8" (3 mm) Dia.
x 1" (25 mm) deep
(2 holes)



- For backset, refer to device template.
- For device function and other dimensions, refer to appropriate device or trim templates.



TEMPLATE

W-3202-a