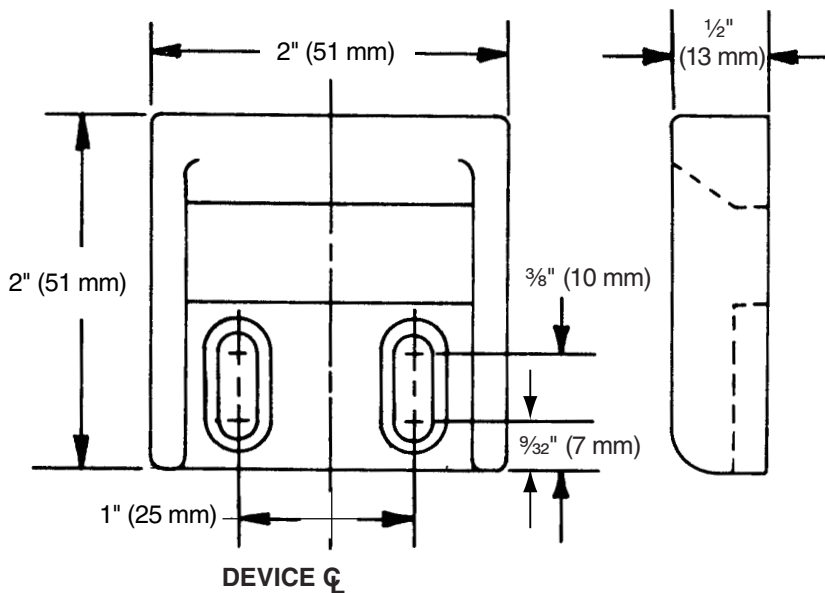
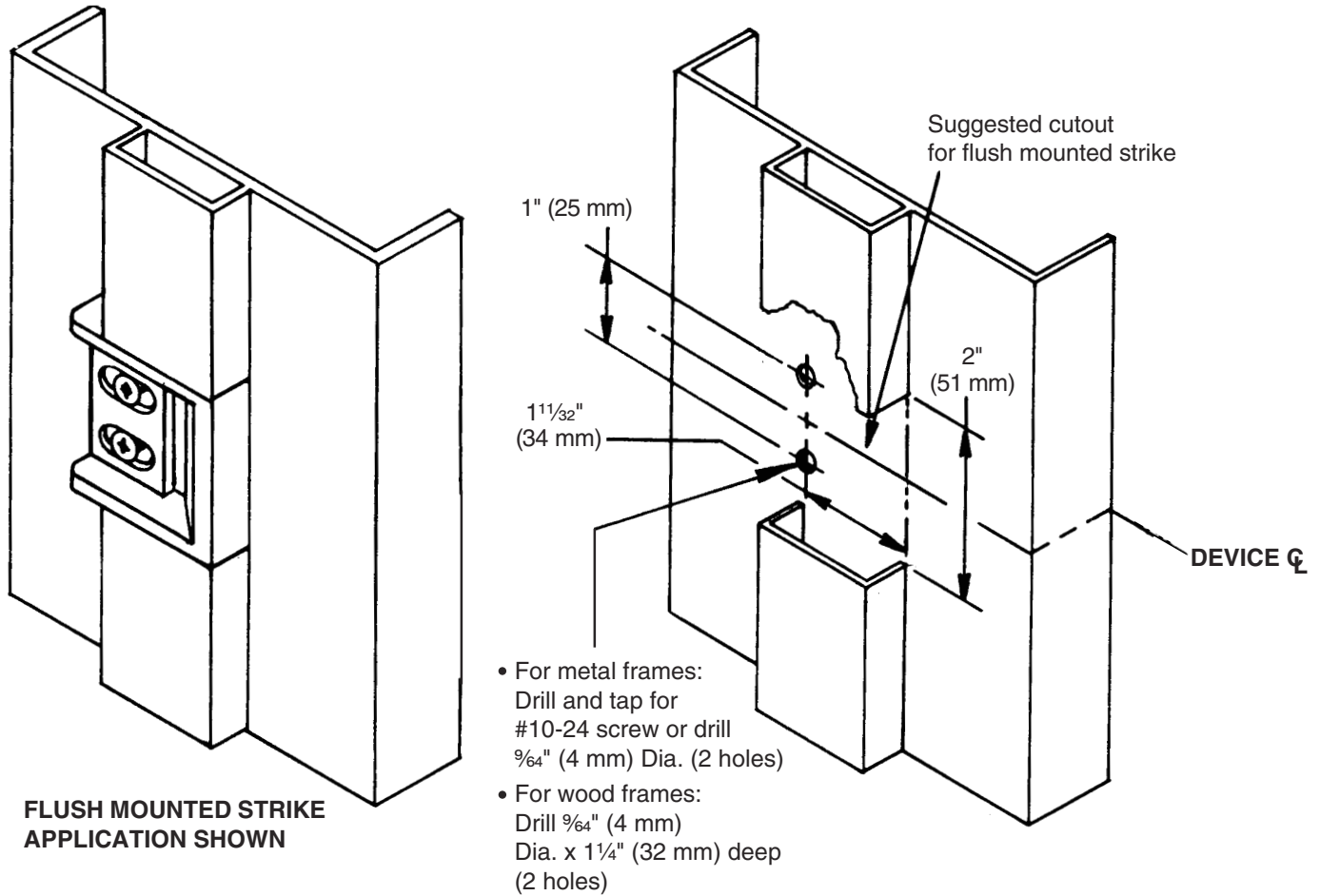


565 Strike

Metal Door, LHR Shown, RHR Opposite



• For device function and other dimensions, see appropriate device or trim templates.

TEMPLATE
T-3006-a