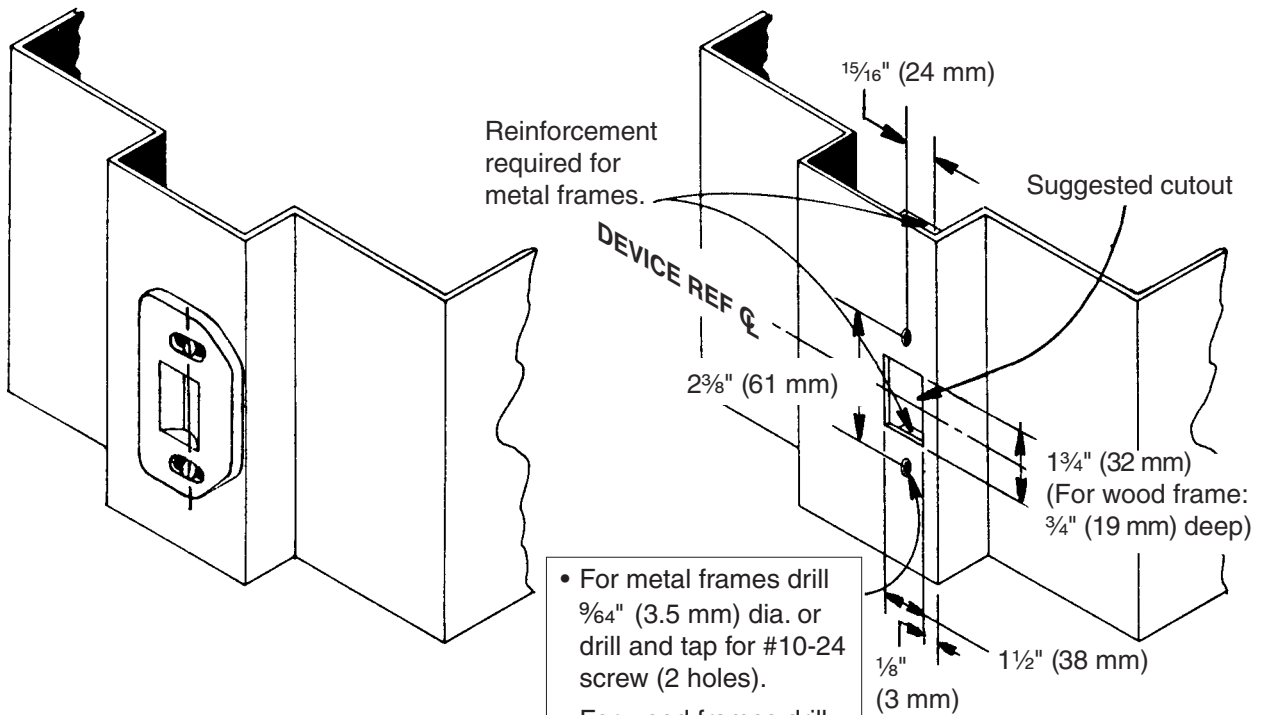


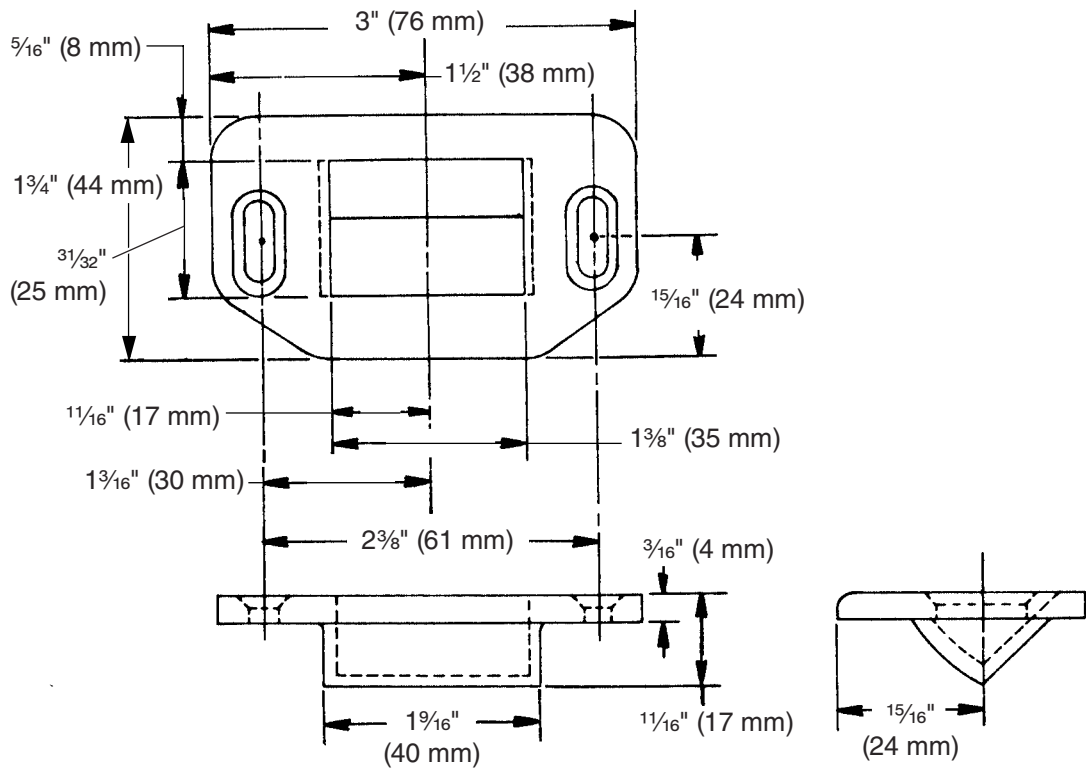
# 579 Strike

Wood Door, LHR Shown, RHR Opposite



- For metal frames drill 9/64" (3.5 mm) dia. or drill and tap for #10-24 screw (2 holes).
- For wood frames drill 9/64" (3.5 mm) dia. x 1 1/4" (32 mm) deep (2 holes).

DEVICES REF Q



- For device function and other dimensions, see appropriate device or trim templates.

TEMPLATE  
**W-3005-a**