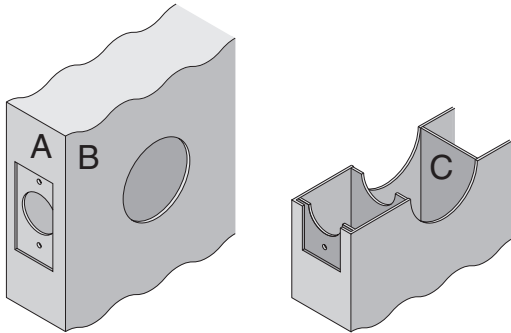


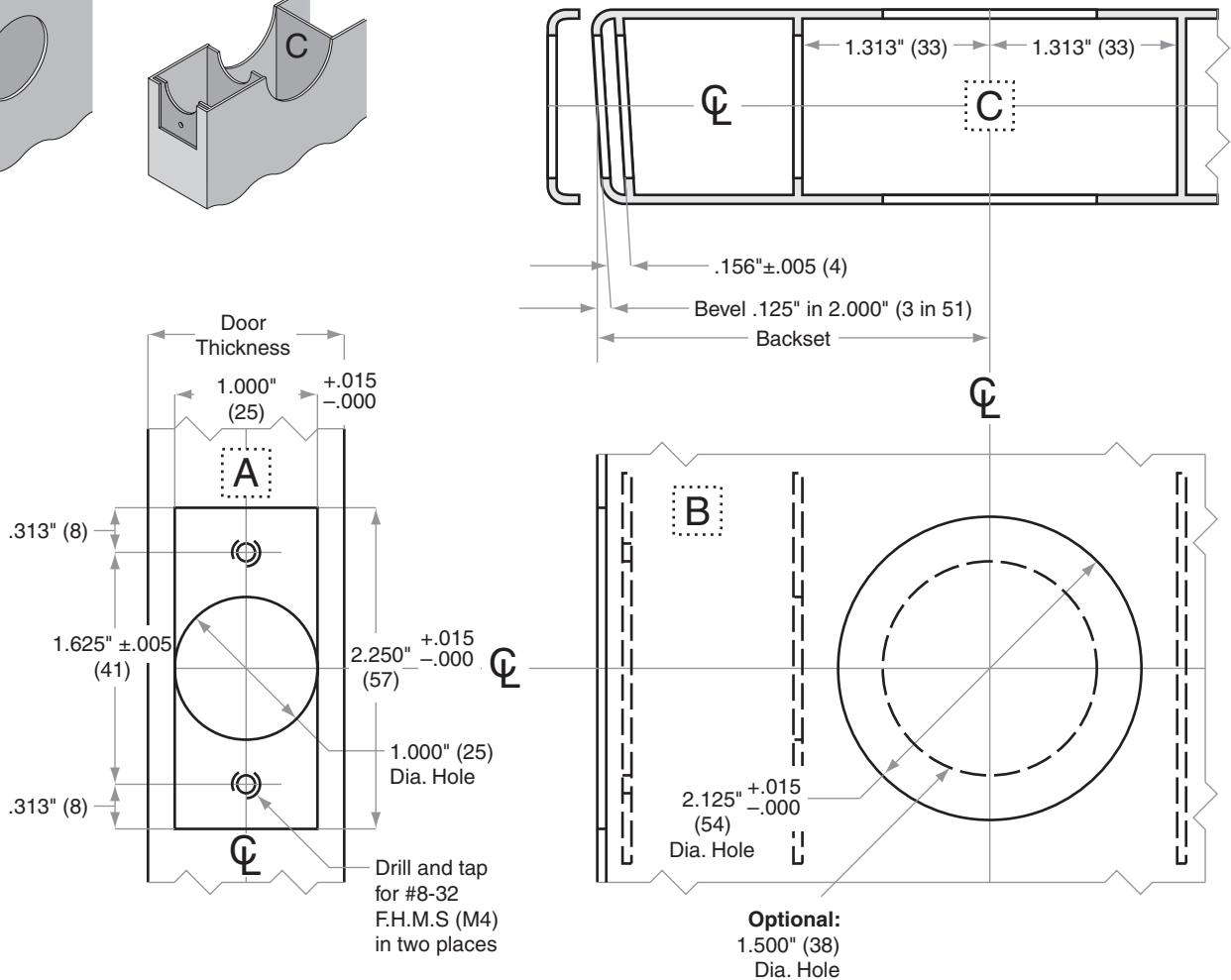
## D100/200-Series

D111, D211, D121, D221, D131, D231, D141, D241, D151, D251

Door Type: Metal, Flat or Beveled  
 Door Thickness: 1 $\frac{1}{8}$ " (35mm) – 1 $\frac{7}{8}$ " (48mm)  
 Faceplate: Square Corner, 1" (25mm) wide  
 Backsets: FD101-C, 2 $\frac{3}{8}$ " (60mm) | FD101-D, 2 $\frac{3}{4}$ " (70mm)



**For metal door installations, suitable reinforcement is required to support latch in center of door and to prevent lateral movement**



Dimensions shown in parentheses ( ) are in millimeters.

Door preparation template