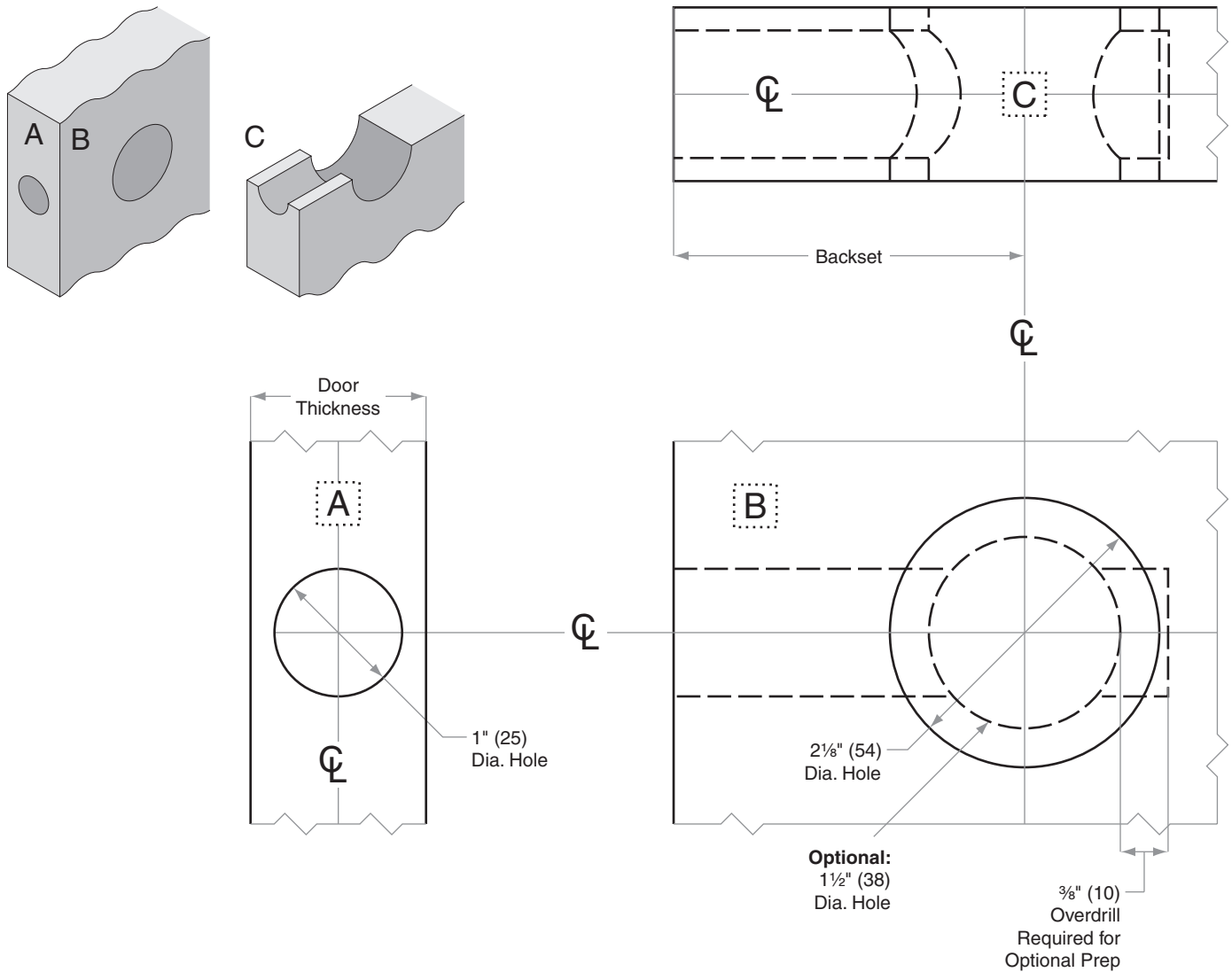


## D100/200-Series

D111, D211, D121, D221, D131, D231, D141, D241, D151, D251

- Door Type:** Wood or Composite, Flat  
**Door Thickness:** 1½" (35mm) – 1¾" (48mm)  
**Faceplate:** Circular Drive-in  
**Backsets:** FD103-C, 2¾" (60mm) | FD103-D, 2¾" (70mm)



Dimensions shown in parentheses ( ) are in millimeters.

Door preparation template

# FD103