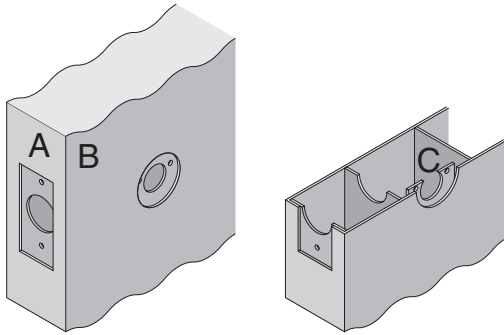
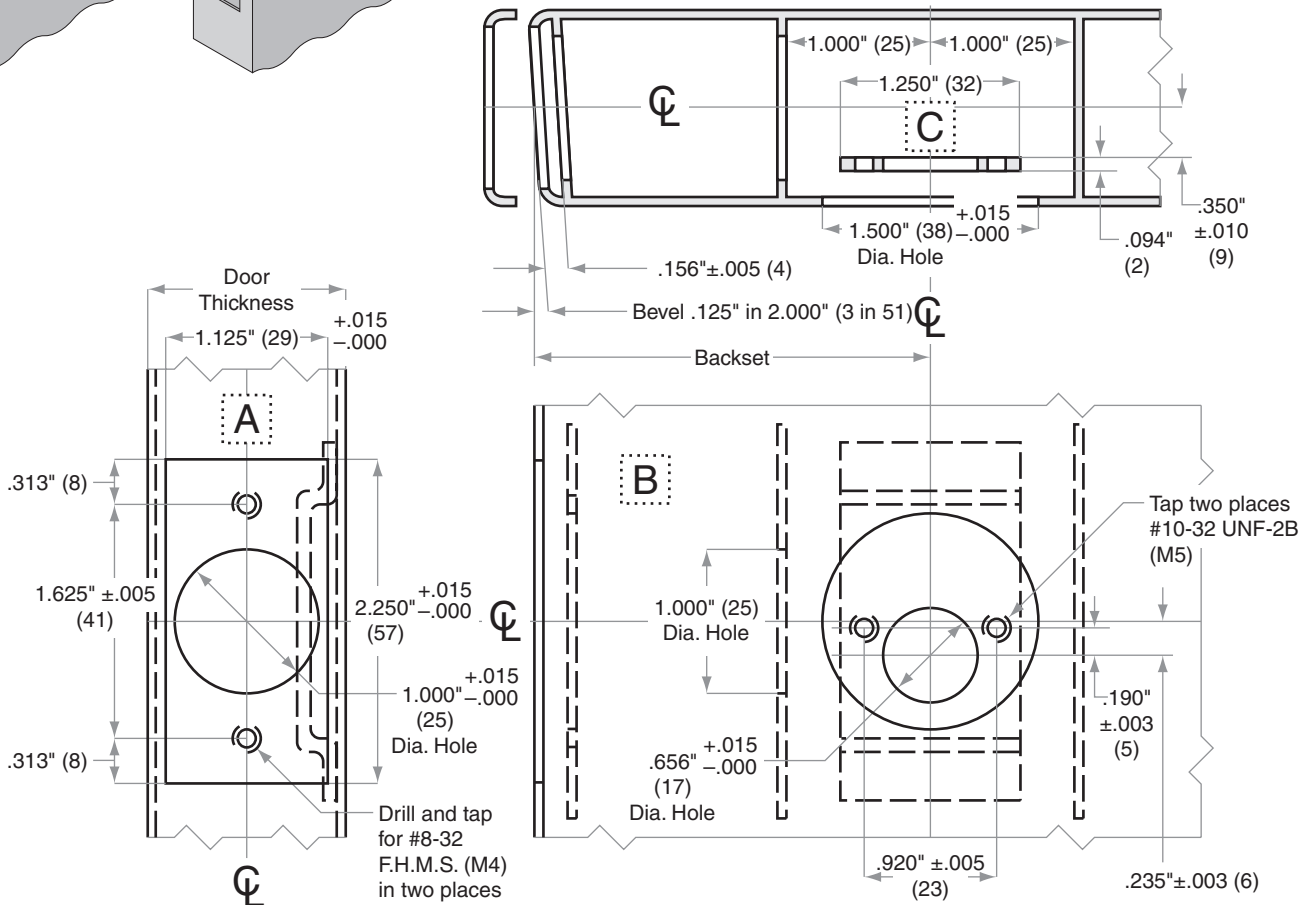


## D100/200-Series D261

**Door Type:** Metal, Flat or Beveled  
**Door Thickness:** 1½" (35mm) – 1¾" (48mm)  
**Faceplate:** Square Corner, 1½" (29mm) wide  
**Backsets:** FD120-C, 2¾" (60mm) | FD120-D, 2¾" (70mm)



**For metal door installations, suitable reinforcement is required to support latch in center of door and to prevent lateral movement**



Dimensions shown in parentheses ( ) are in millimeters.

Door preparation template