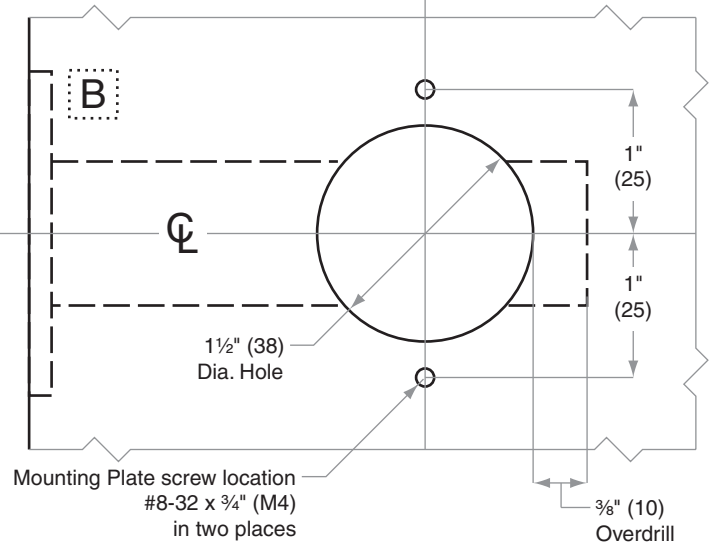
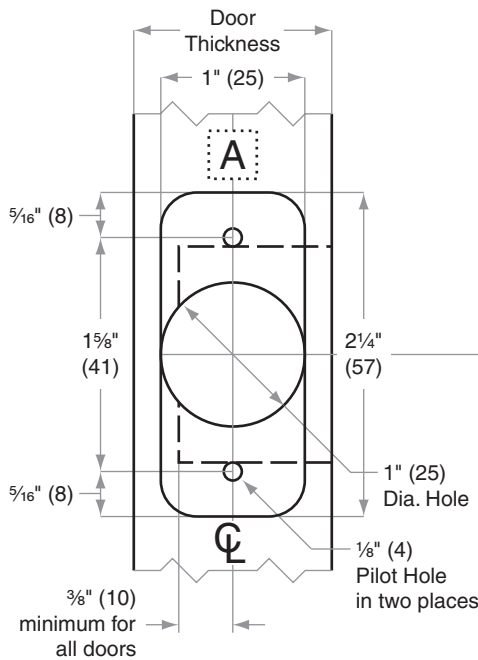
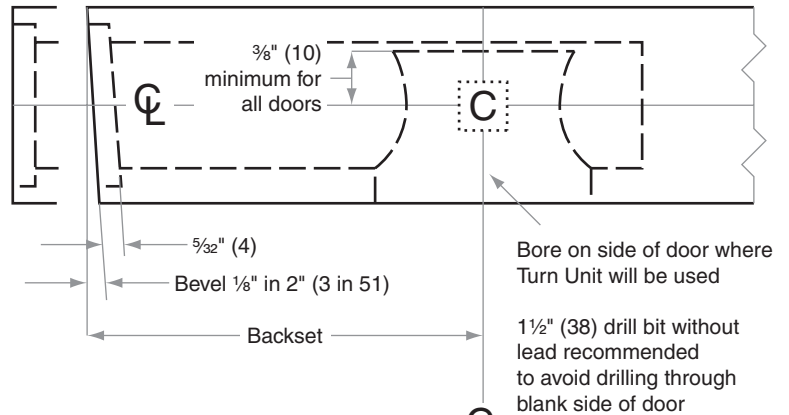
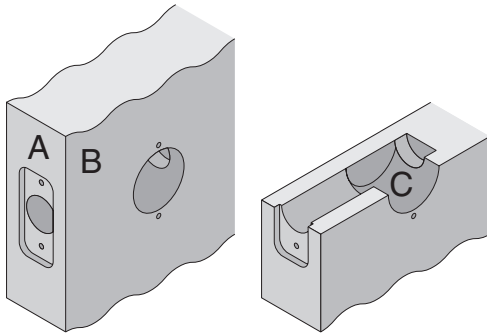


D100/200-Series D261

- Door Type:** Wood or Composite, Flat or Beveled
Door Thickness: 1 $\frac{3}{8}$ " (35mm) – 1 $\frac{7}{8}$ " (48mm)
Faceplate: Round Corner, $\frac{1}{4}$ " (6mm) Radius, 1" (25mm) wide
Backsets: FD116-C, 2 $\frac{3}{8}$ " (60mm) | FD116-D, 2 $\frac{3}{4}$ " (70mm)



Dimensions shown in parentheses () are in millimeters.

Door preparation template