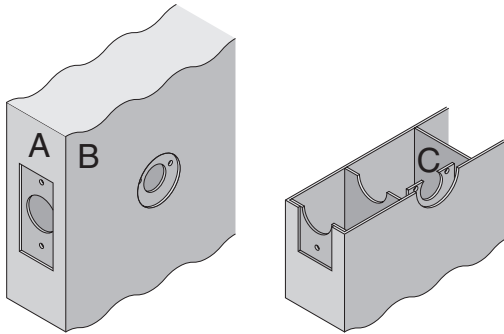
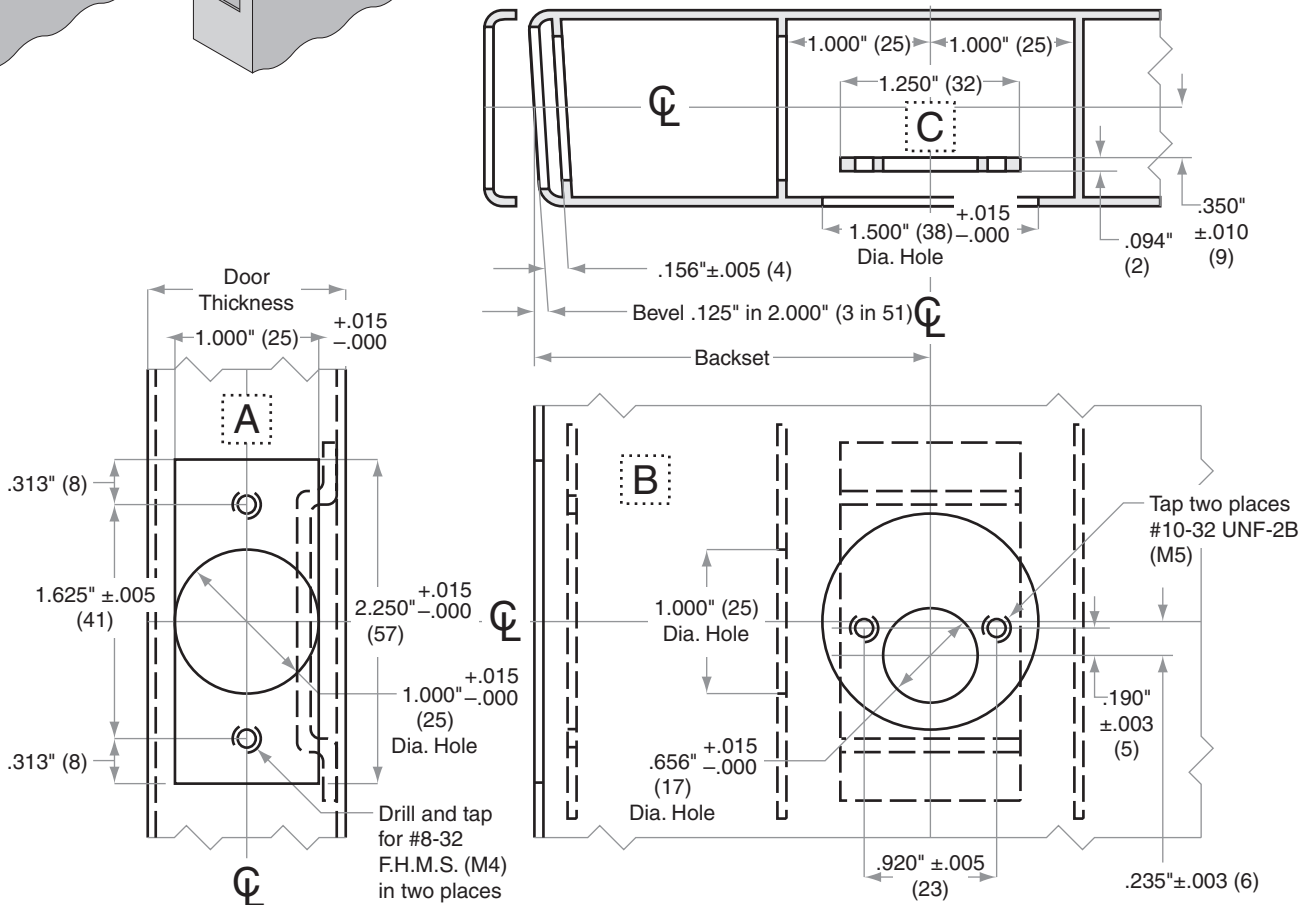


## D100/200-Series D261

**Door Type:** Metal, Flat or Beveled  
**Door Thickness:** 1 $\frac{3}{8}$ " (35mm) – 1 $\frac{7}{8}$ " (48mm)  
**Faceplate:** Square Corner, 1" (25mm) wide  
**Backsets:** FD115-C, 2 $\frac{3}{8}$ " (60mm) | FD115-D, 2 $\frac{3}{4}$ " (70mm)



**For metal door installations, suitable reinforcement is required to support latch in center of door and to prevent lateral movement**



Dimensions shown in parentheses ( ) are in millimeters.

Door preparation template