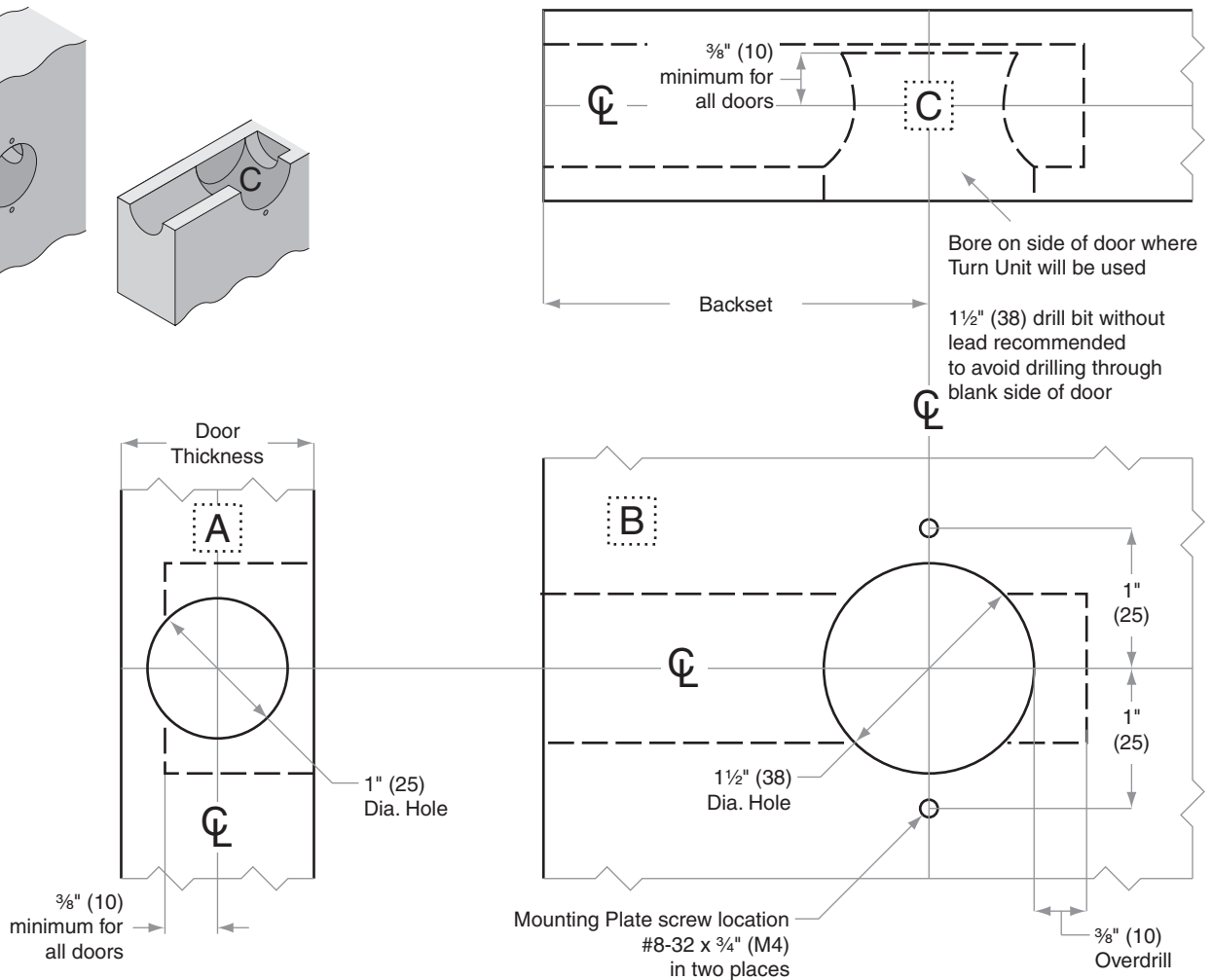
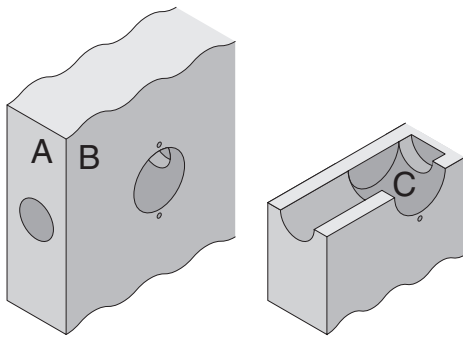


D100/200-Series

D261

Door Type: Wood or Composite, Flat
Door Thickness: 1 $\frac{3}{8}$ " (35mm) – 1 $\frac{7}{8}$ " (48mm)
Faceplate: Circular Drive-In
Backsets: FD117-C, 2 $\frac{3}{8}$ " (60mm) | FD117-D, 2 $\frac{3}{4}$ " (70mm)



Dimensions shown in parentheses () are in millimeters.

Door preparation template

FD117