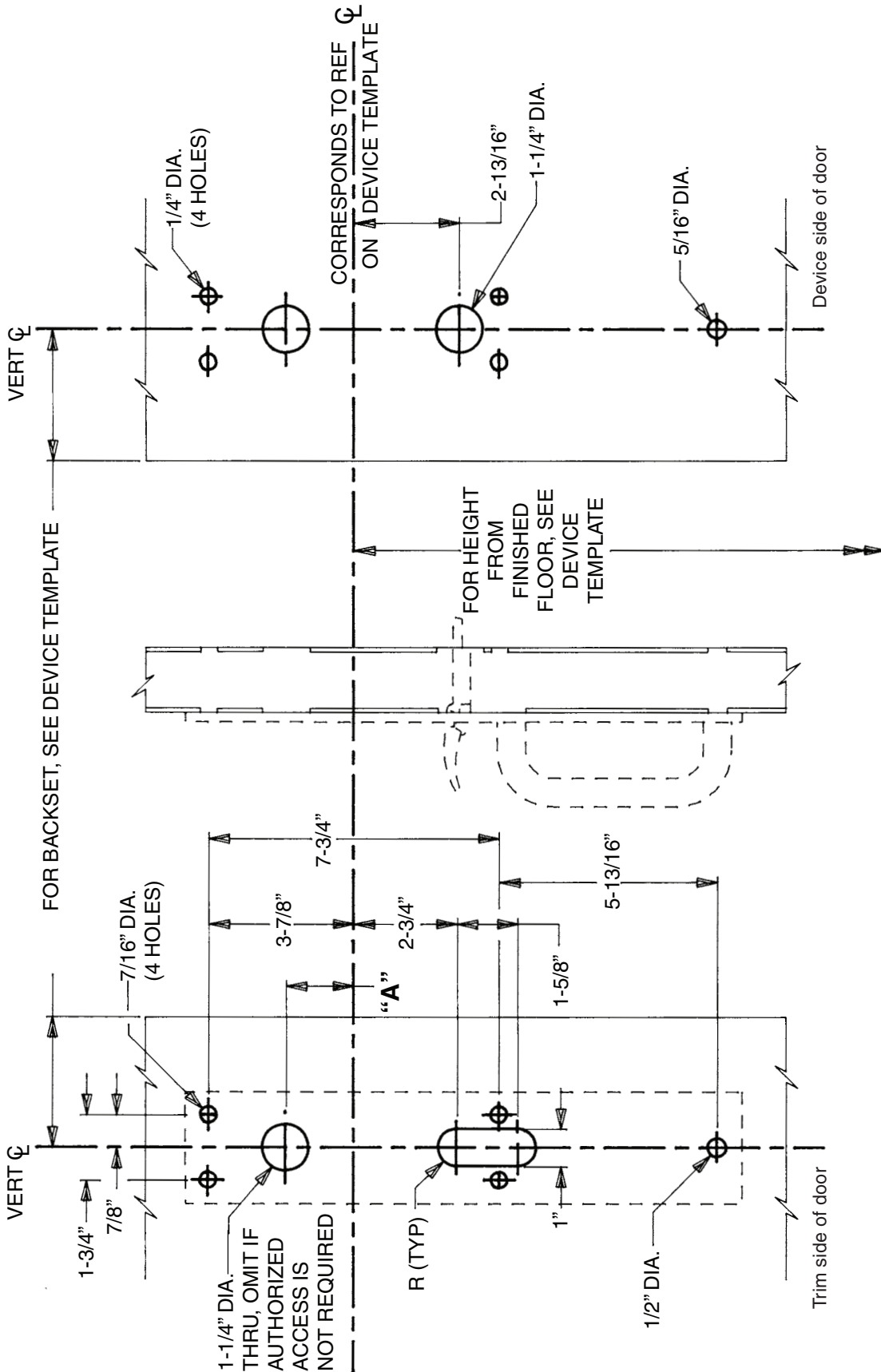


(F)18 & (F)XX Series Devices with FSA or FSE Feature

Apollo Trim - Thumbpiece Function, Metal Door, LHR Shown, RHR Opposite



Device	A	Device	A
(F)XX-R-T x FSA or FSE	1 13/16"	(F)18-R-T x FSA or FSE	1 13/16"
(F)XX-V-T x FSA or FSE	1 13/16"	(F)18-M-T x FSA or FSE	1 13/16"
(F)XX-M-T x FSA or FSE	1 13/16"	(F)18-V-T x FSA or FSE	1/4"

TEMPLATE
T-5351-a