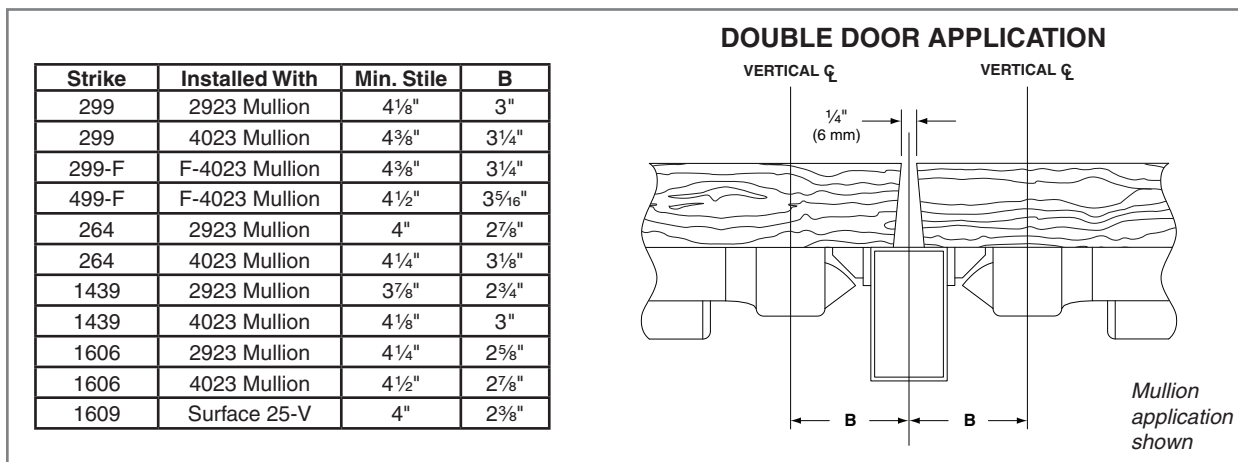
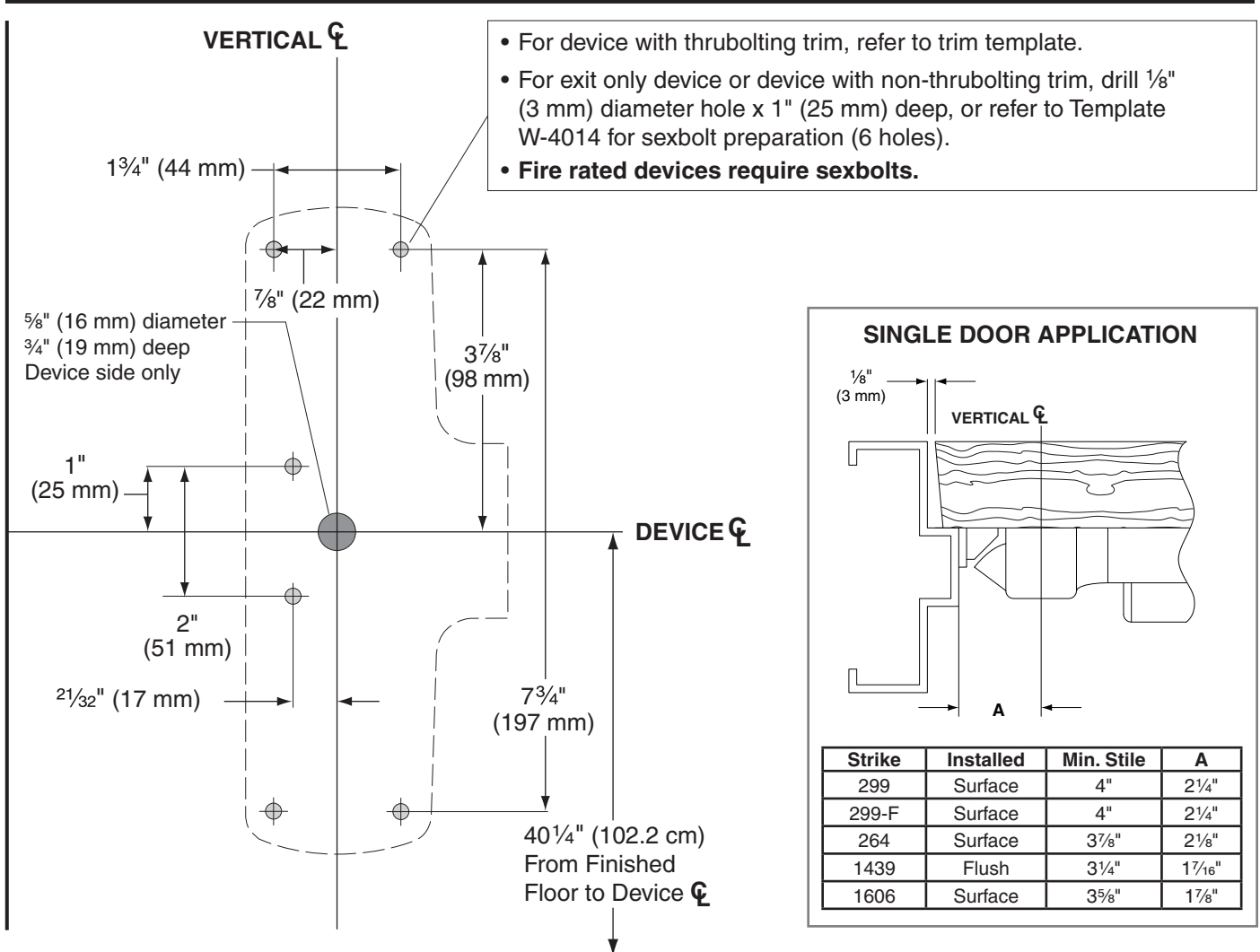


# (F)25-R Rim Device

Rim Panic and Fire Exit Devices, Wood Door, LHR Shown, RHR Opposite



- For sexbolt preparation, refer to Template W-4014.
- For outside trim, see trim template for door preparation.
- For (F)25-R on ANSI A115.2 door, refer to Template W-1260.
- For NL-OP cylinder preparation, see template W-4030.

**TEMPLATE**  
**W-1201-c**