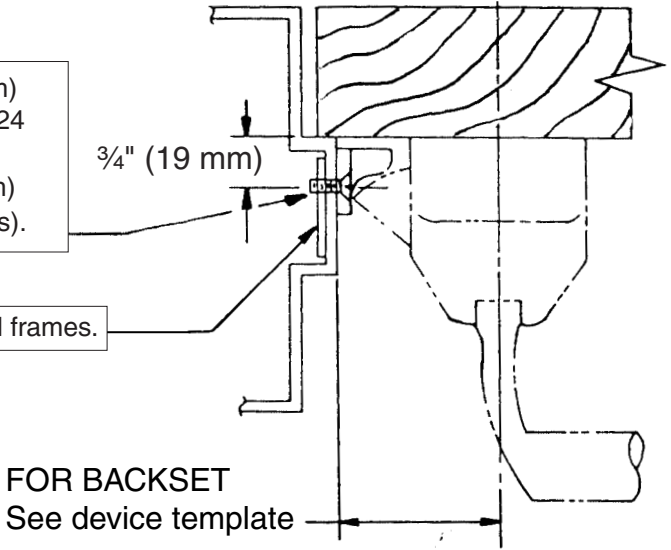


(F)490, (F)570 Strikes

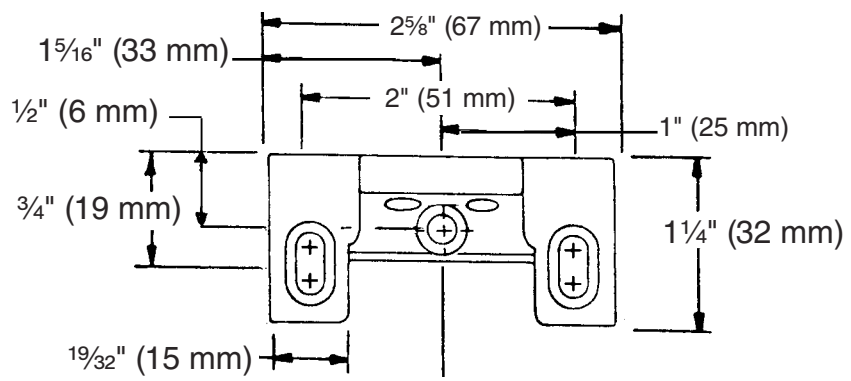
Wood Door, LHR Shown, RHR Opposite

- For metal frames, drill $\frac{9}{64}$ " (4 mm) dia. hole, or drill and tap for #10-24 screw (3 holes).
- For wood frames, drill $\frac{9}{64}$ " (4 mm) dia. x $1\frac{1}{4}$ " (32 mm) deep (3 holes).

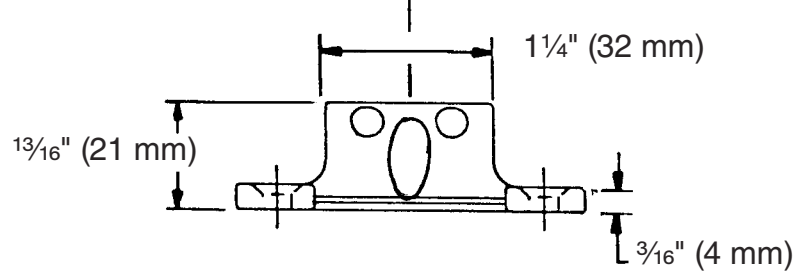
- Reinforcement required for metal frames.



XX-R x 570 STRIKE ON METAL FRAME SHOWN



DEVICE REF Q



- For device function and other dimensions, see appropriate device or trim templates.

**TEMPLATE
W-3001-a**