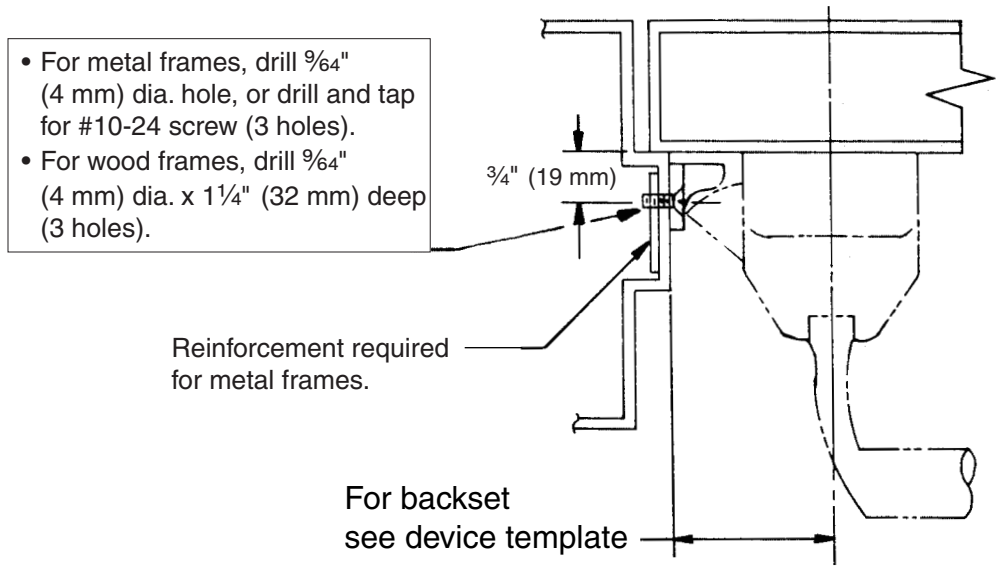
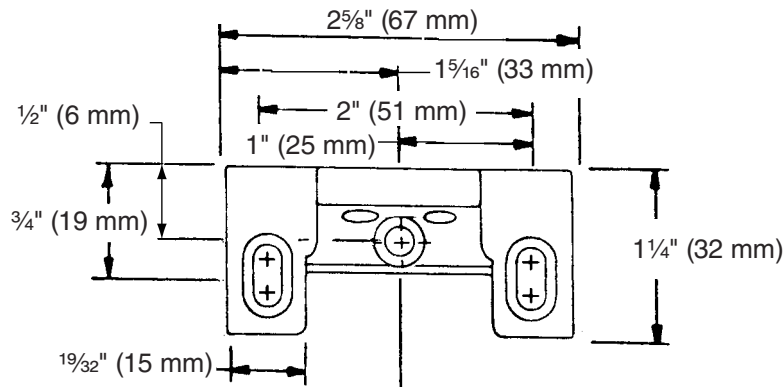


(F)490 and (F)570 Strike

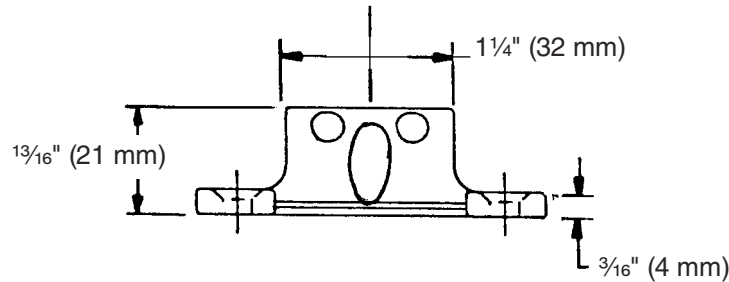
Metal Door, LHR Shown, RHR Opposite



XX-R x 570 STRIKE ON METAL FRAME SHOWN



DEVICE REF Q



- For device function and other dimensions, see appropriate device or trim templates.

TEMPLATE
T-3001-a