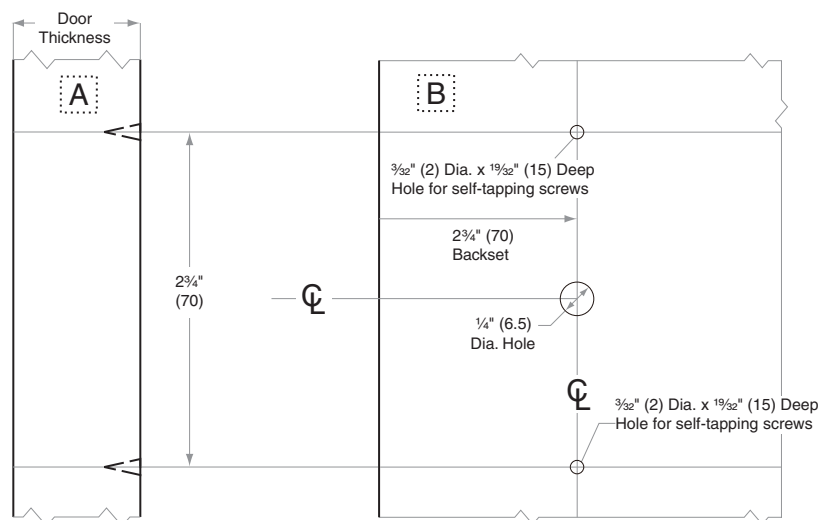
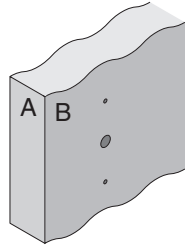


K-Series Models K12

Door Type: Wood or Composite, Flat or Beveled
Door Thickness: 1 $\frac{3}{8}$ " (35 mm)–2 $\frac{1}{4}$ " (57 mm)
Backsets: 2 $\frac{3}{4}$ " (70 mm)



Dimensions shown in parentheses () are in millimeters.

Door preparation template