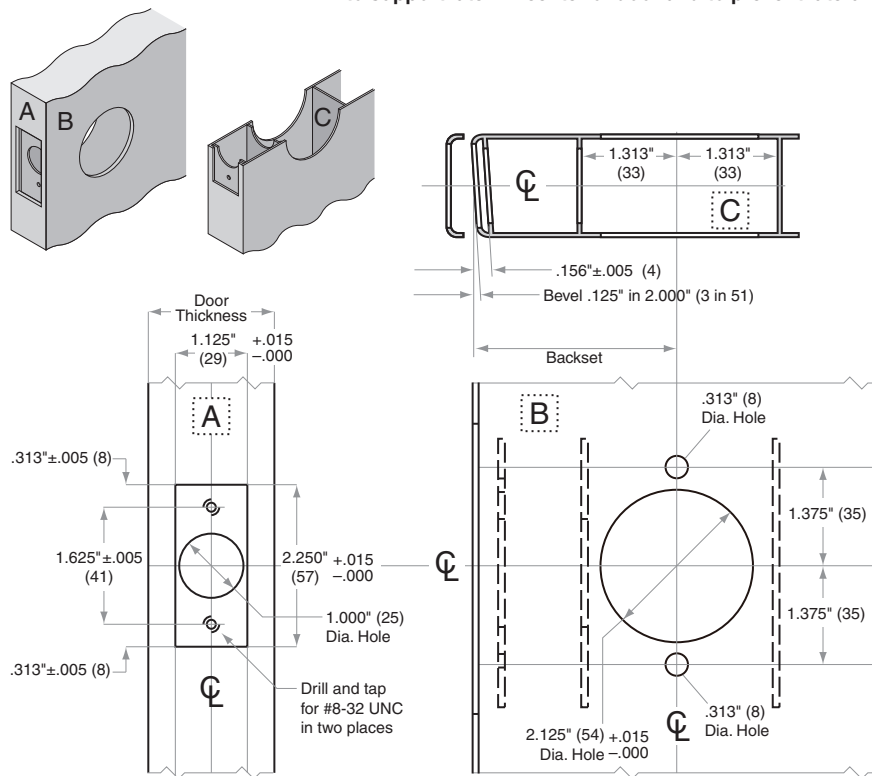


K-Series

Models K101, K301, K501, K511, K561, K571, K581

Door Type: Metal, Flat or Beveled
 Door Thickness: $1\frac{3}{8}$ " (35 mm)– $2\frac{1}{4}$ " (57 mm)
 Faceplate: Square Corner, Round Corner $1\frac{1}{8}$ " (29 mm) wide x $2\frac{1}{4}$ " (57 mm)
 Backsets: $2\frac{3}{8}$ " (60 mm), $2\frac{3}{4}$ " (70 mm)

For metal doors installations, suitable reinforcement is required to support latch in center of door and to prevent lateral movement



Dimensions shown in parentheses () are in millimeters.

Door preparation template