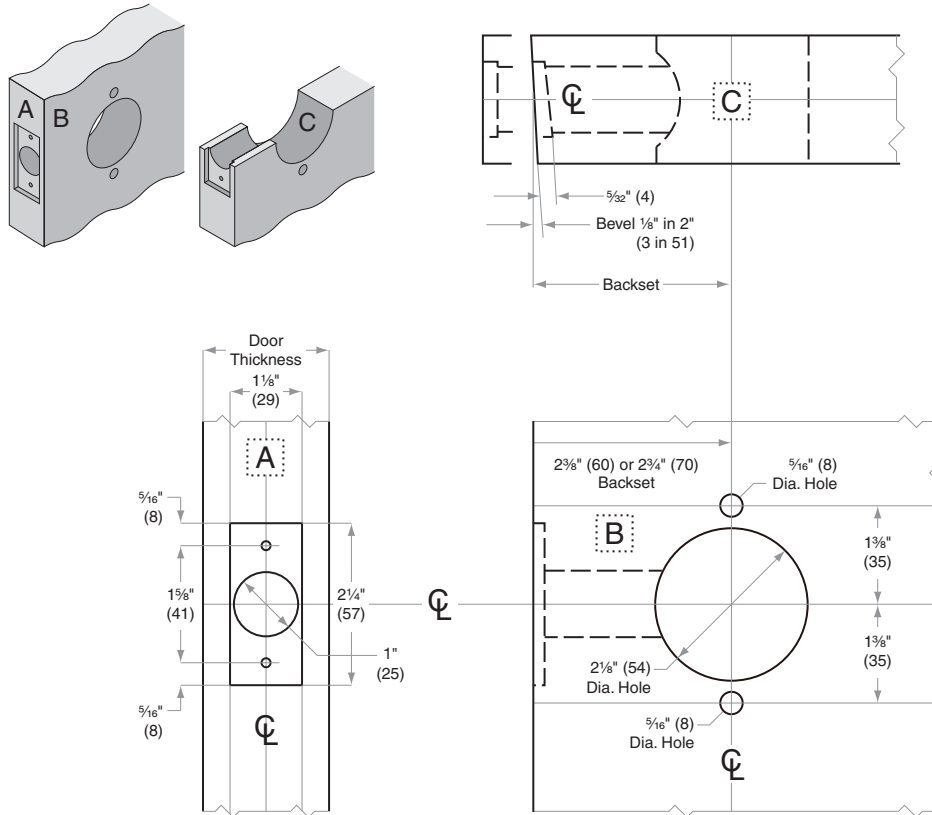


K-Series

Models K101, K301, K501, K511, K561, K571, K581

- Door Type:** Wood or Composite, Flat or Beveled
Door Thickness: 1 $\frac{3}{8}$ " (35 mm)–2 $\frac{1}{4}$ " (57 mm)
Faceplate: Square Corner, Round Corner 1 $\frac{1}{8}$ " (29 mm) wide x 2 $\frac{1}{4}$ " (57 mm)
Backsets: 2 $\frac{3}{8}$ " (60 mm), 2 $\frac{3}{4}$ " (70 mm)



Dimensions shown in parentheses () are in millimeters.

Door preparation template