

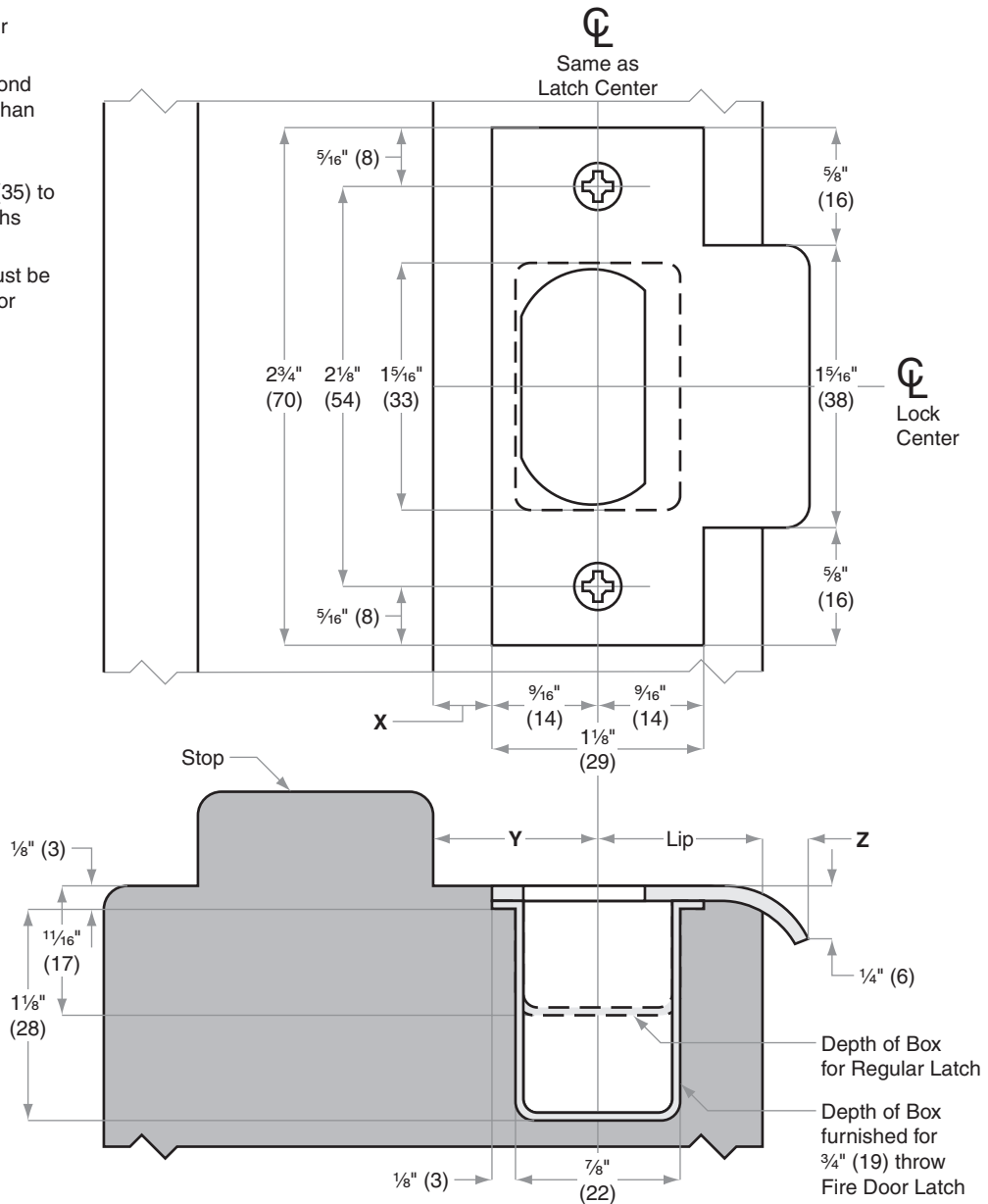
Strikes

Q330-149, Q001-046, 5075, 5183, 5185, 5186, 5187, 5188, 5189

Jamb Type: Wood
 Style: T-Strike
 Standard for: H-Series | Y-Series
 Optional for: B-Series | T-Series | X-Series | W-Series

NOTE:

1. Dimensions X, Y and Z are variables dependent on door thickness
2. Curved strike extension beyond jamb at Z must not be less than $\frac{3}{16}$ " (5) to ensure proper functioning of latch bolt
3. $1\frac{1}{8}$ " (29) Lip length for $1\frac{3}{8}$ " (35) to $1\frac{3}{4}$ " (44) doors. Other lengths available
4. Strike location on frames must be adjusted for thickness of door silencers, when used



Dimensions shown in parentheses () are in millimeters.

Door preparation template