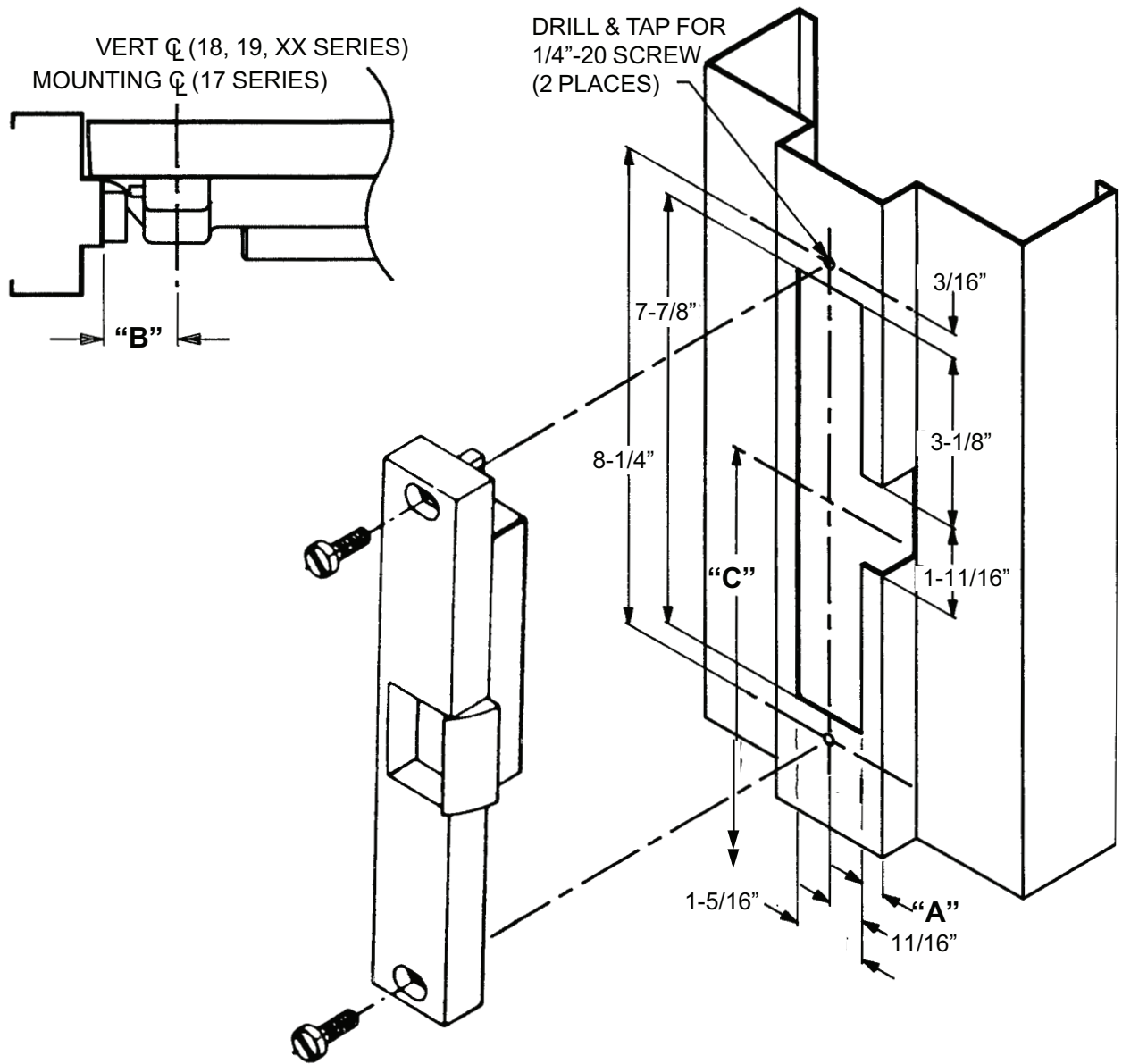


Folger Adams 310-4 Electric Strike for Falcon Rim Devices

Metal Door, LHR Shown, RHR Opposite



- For device function and other dimensions, see appropriate device and/or trim templates.
- Dimension "C" is height of device ref CL to finished floor.
- For wood frames, consult Folger Adams.

Device	A	B	C	Min. Stile
17-R	3/8"	15/8"	40"	3/4"
18-R	1/2"	2 1/4"	40 1/4"	4"
19-R	3/8"	1 5/8"	40 5/16"	3 1/2"
XX-R	1/2"	2 1/4"	40 1/4"	4"

TEMPLATE

T-5485-a