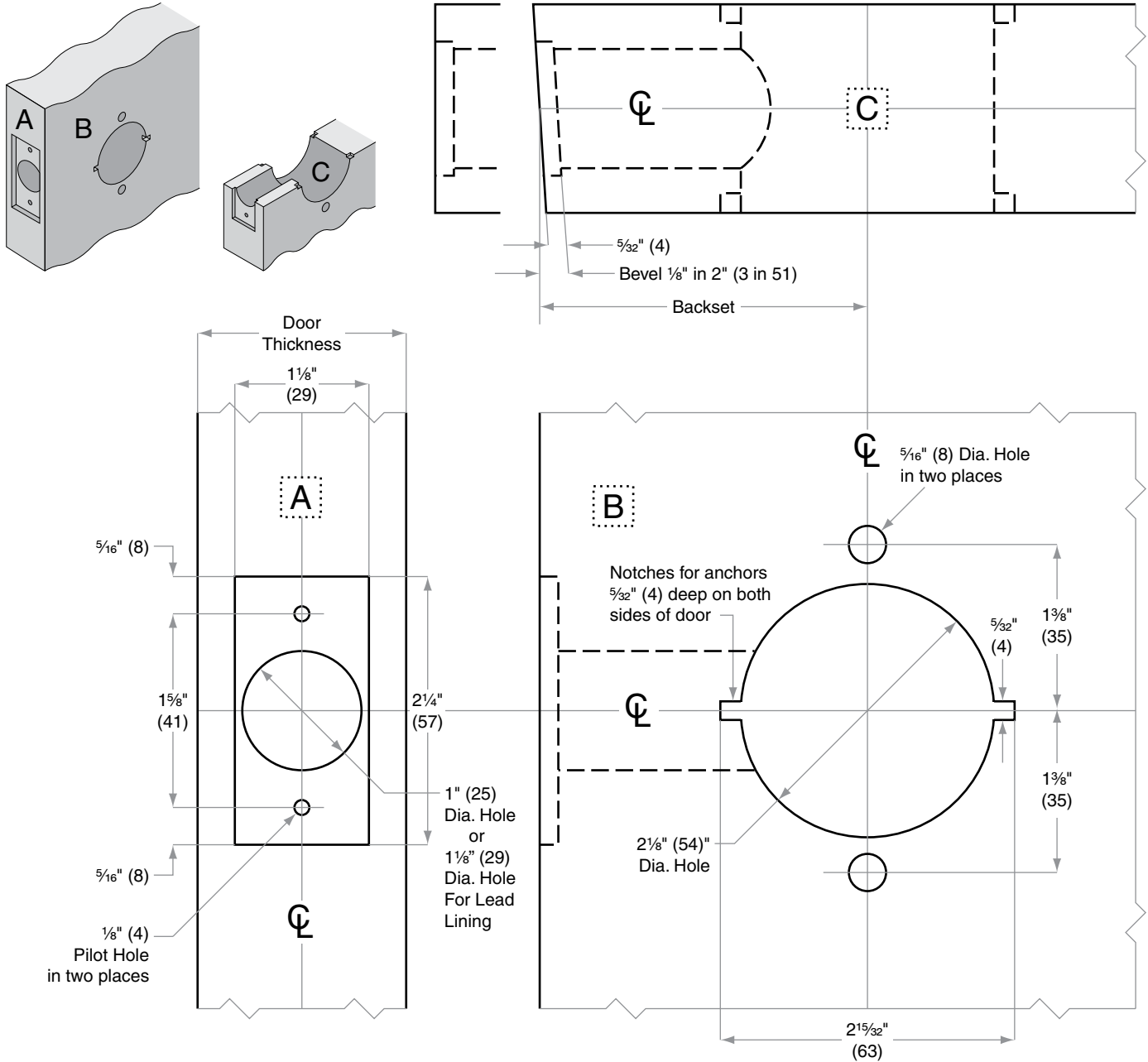


T-Series T101-T581

Door Type: Wood or Composite, Flat or Beveled
Door Thickness: 1¾" (44mm) – 2½" (54mm)
Faceplate: Square Corner, 1⅝" (29mm) wide
Backsets: FT100-C, 2⅝" (60mm) | FT100-D, 2¾" (70mm) | FT100-F, 5" (127mm)



Dimensions shown in parentheses () are in millimeters.

Door preparation template

FT100