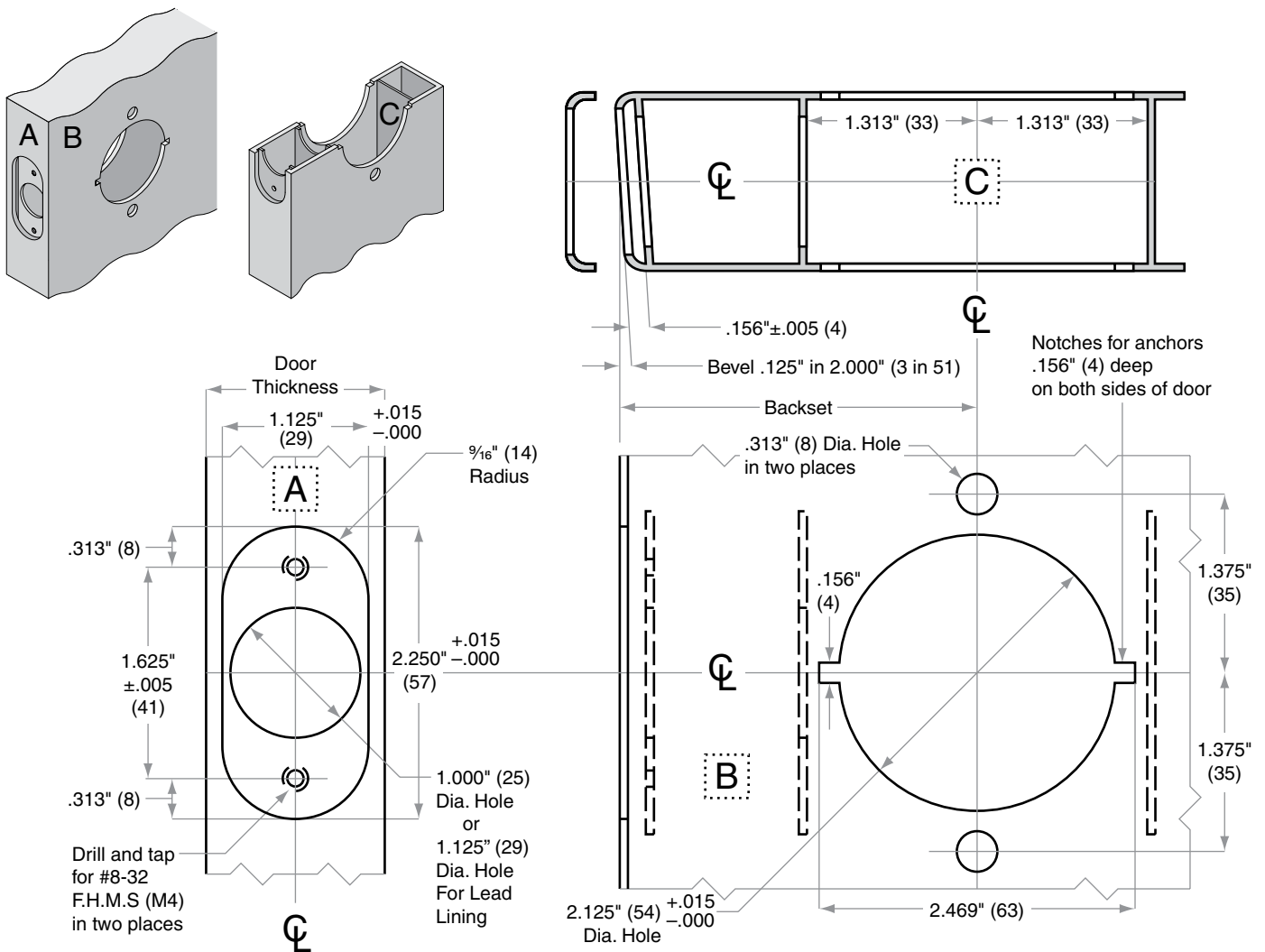


T-Series Discontinued latch - for reference only  
T101-T881

- Door Type: Metal, Flat or Beveled
- Door Thickness: 1¾" (44mm) – 2½" (54mm)
- Faceplate: Round Corner, ¼" (14mm) Radius, 1½" (25mm) wide
- Backsets: FT105-C, 2¾" (60mm) | FT105-D, 2¾" (70mm) | FT105-F, 5" (127mm)

**For metal door installations, suitable reinforcement is required to support latch in center of door and to prevent lateral movement**



Dimensions shown in parentheses ( ) are in millimeters.

Door preparation template

**FT105**