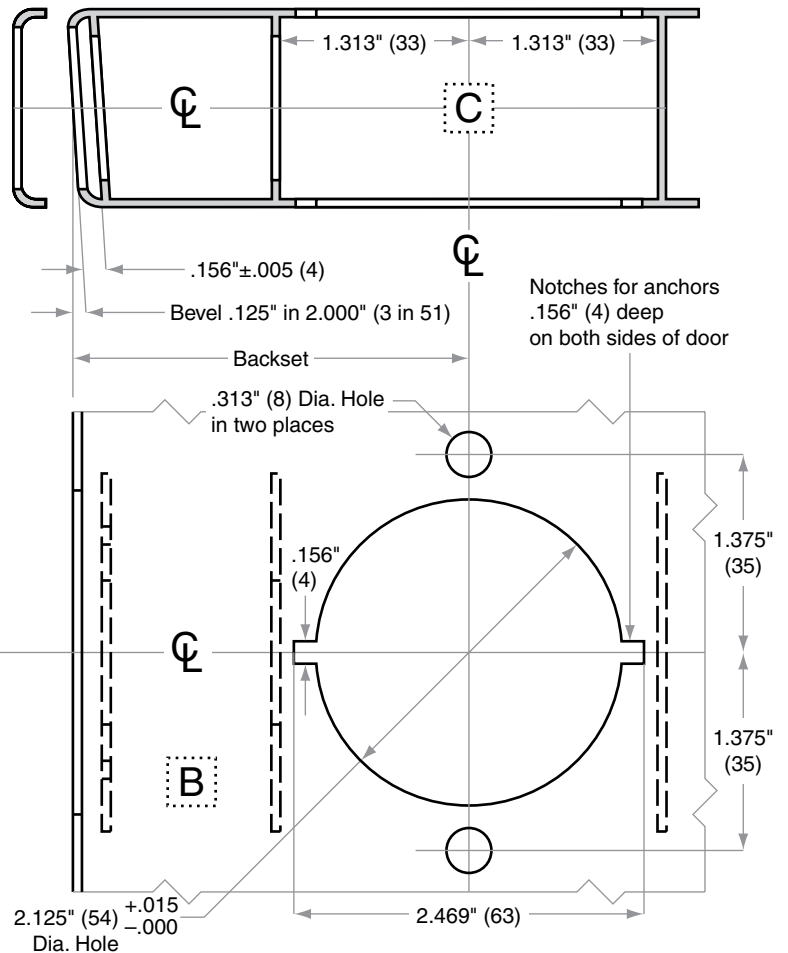
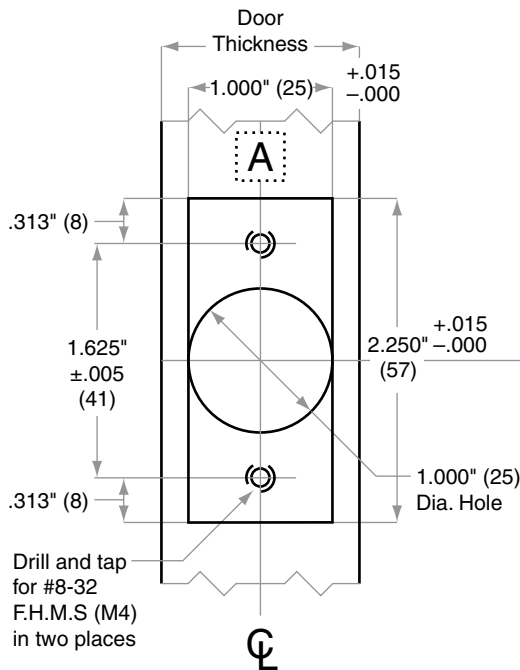
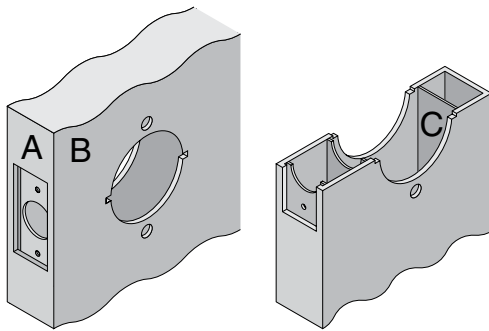


T-Series T101-T881

Door Type: Metal, Flat or Beveled
Door Thickness: 1¾" (44mm) – 2½" (54mm)
Faceplate: Square Corner, 1" (25mm) wide
Backsets: FT103-C, 2¾" (60mm) | FT103-F, 5" (127mm)

For metal door installations, suitable reinforcement is required to support latch in center of door and to prevent lateral movement



Dimensions shown in parentheses () are in millimeters.

Door preparation template