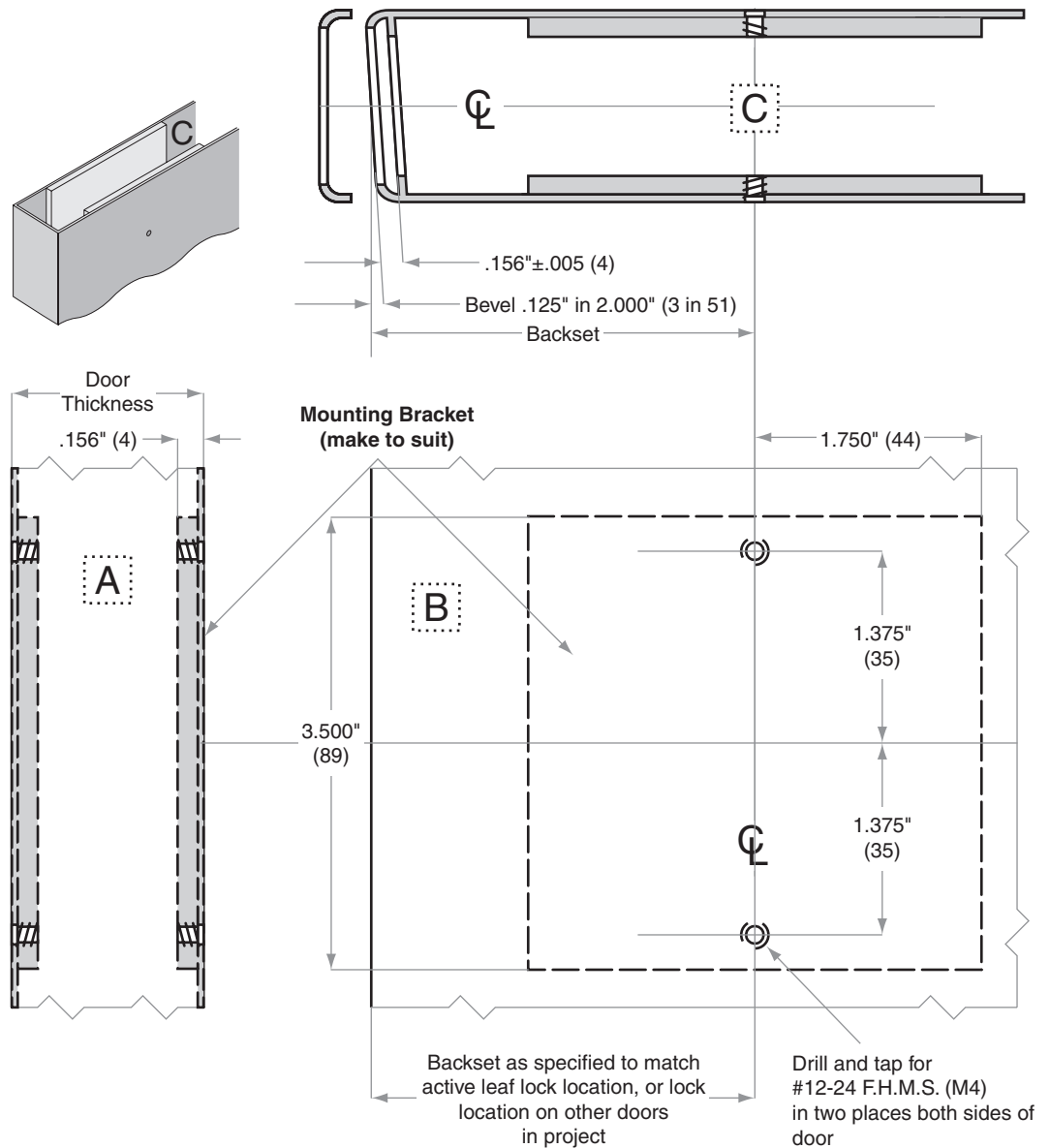
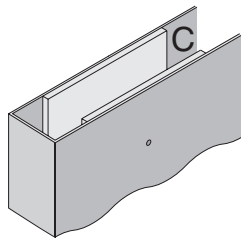
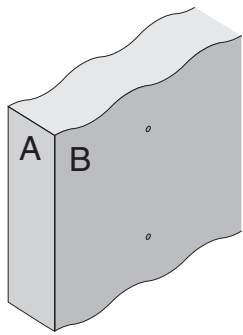


T-Series

T12 Mounted Both Sides of Door (Double Dummy)

Door Type: Metal
Door Thickness: 1¾" (35mm) – 2¼" (51mm)
Faceplate: None
Backsets: Various



Dimensions shown in parentheses () are in millimeters.

Door preparation template