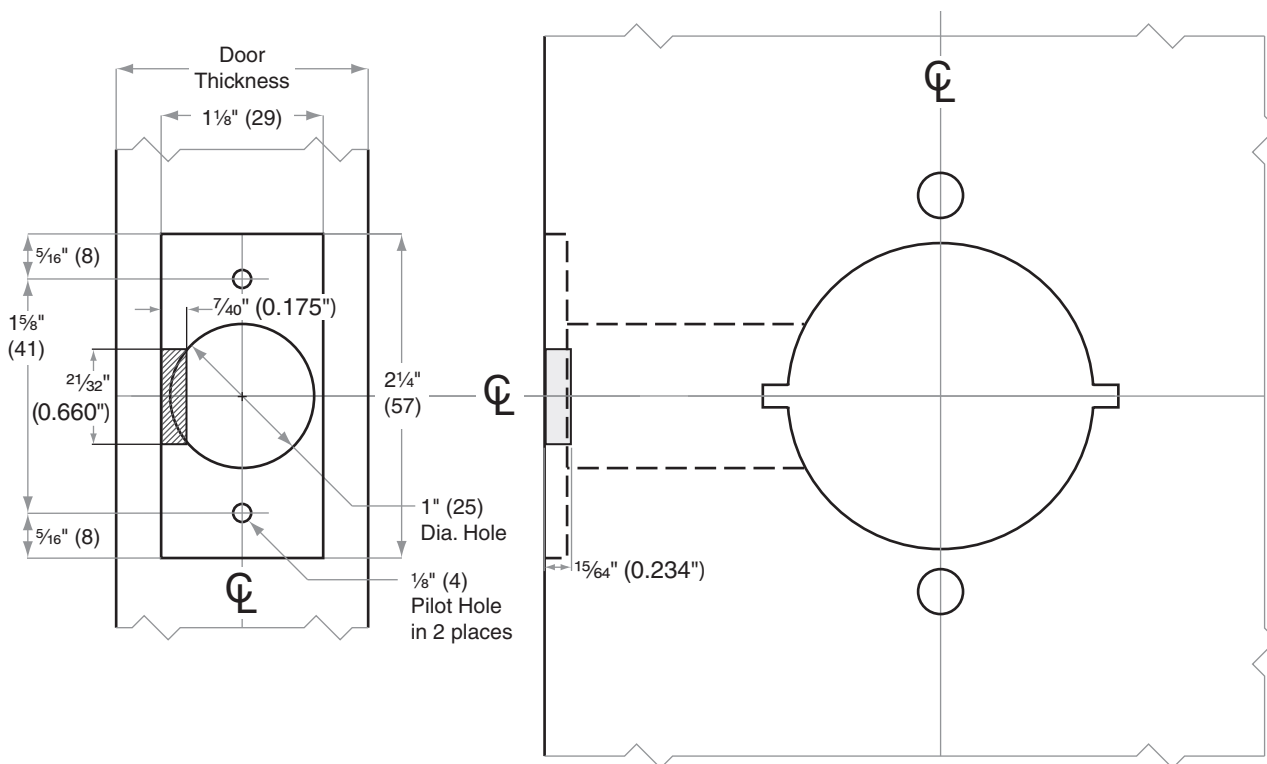


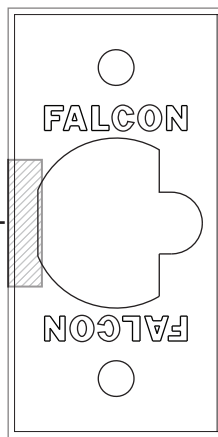
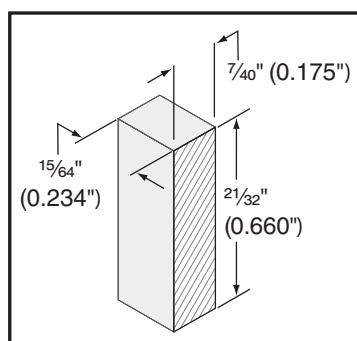
T-Series

Anti-friction fire door deadlatch, $\frac{3}{4}$ " throw (23981152)

- Door Type: Wood or composite
- Door Thickness: $1\frac{3}{8}$ " (35 mm)– $2\frac{1}{8}$ " (54 mm)
- Faceplate: Square Corner, $1\frac{1}{8}$ " (29 mm) wide x $2\frac{1}{4}$ " (57 mm)
- Backset: $2\frac{3}{4}$ " (70 mm)



Shaded area material should be cut out.



Latch faceplate

Dimensions shown in parentheses () are in millimeters.

Door preparation template