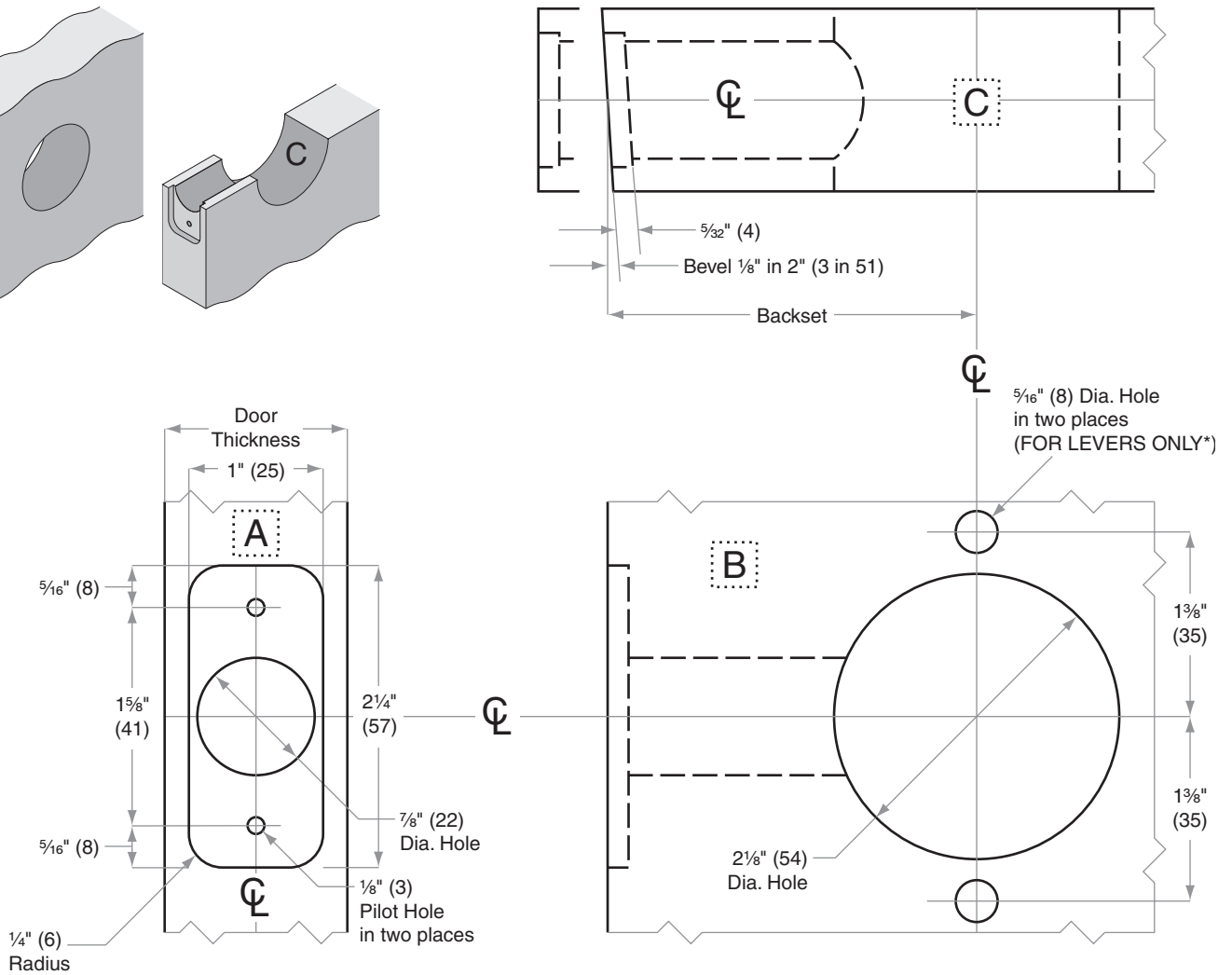
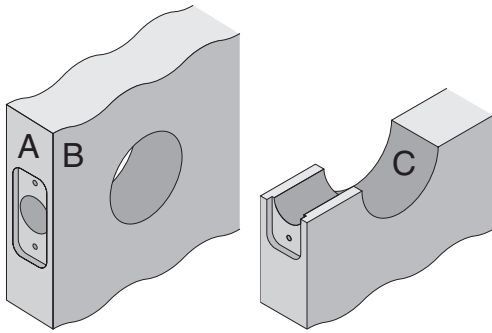


W-Series W101-W711

Door Type: Wood or Composite, Flat or Beveled
Door Thickness: 1½" (35mm) – 2" (51mm)
Faceplate: Round Corner, ¼" (6mm) Radius, 1" (25mm) wide
Backsets: FW104-C, 2¾" (60mm) | FW104-D, 2¾" (70mm)



*Mounting post holes are optional for levers only and cannot be used with knobs.

Dimensions shown in parentheses () are in millimeters.

Door preparation template

FW104