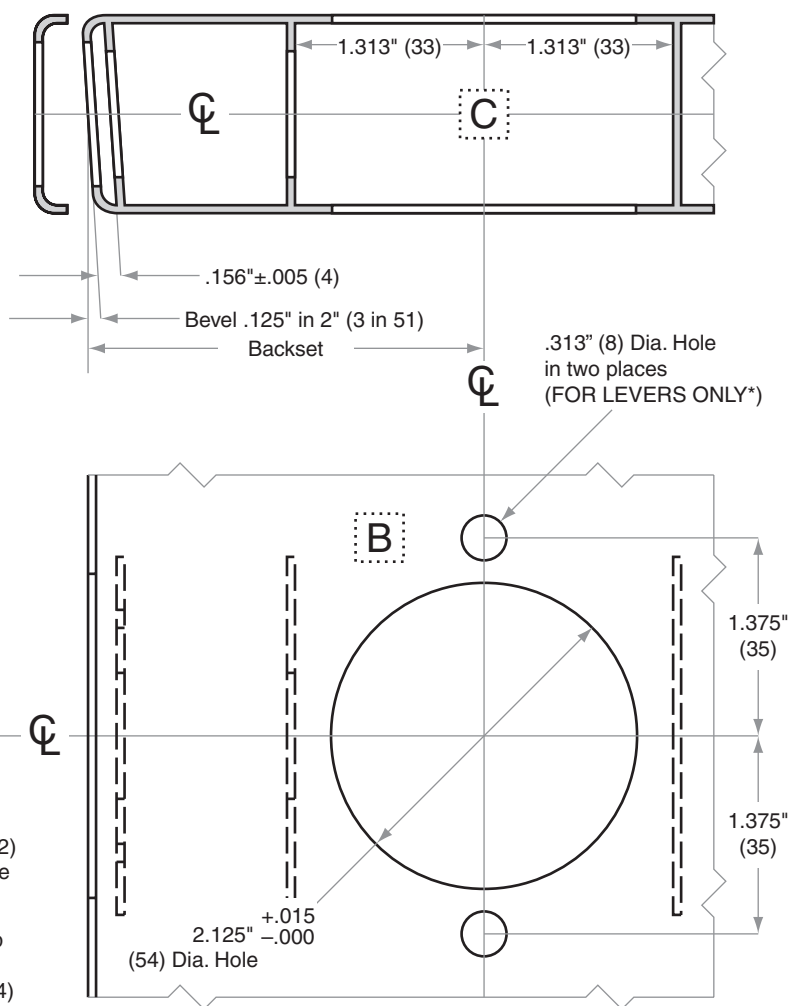
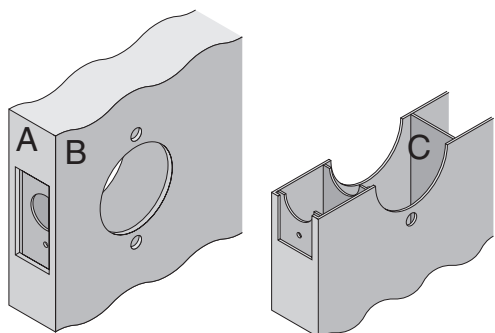


## W-Series W101-W711

**Door Type:** Metal, Flat or Beveled  
**Door Thickness:** 1 $\frac{1}{8}$ " (35mm) – 2" (51mm)  
**Faceplate:** Square Corner, 1" (25mm) wide  
**Backsets:** FW103-C, 2 $\frac{3}{4}$ " (60mm) | FW103-D, 2 $\frac{3}{4}$ " (70mm)

**For metal door installations, suitable reinforcement is required to support latch in center of door and to prevent lateral movement**



**\*Mounting post holes are optional for levers only and cannot be used with knobs.**

Dimensions shown in parentheses ( ) are in millimeters.

Door preparation template  
**FW103**